

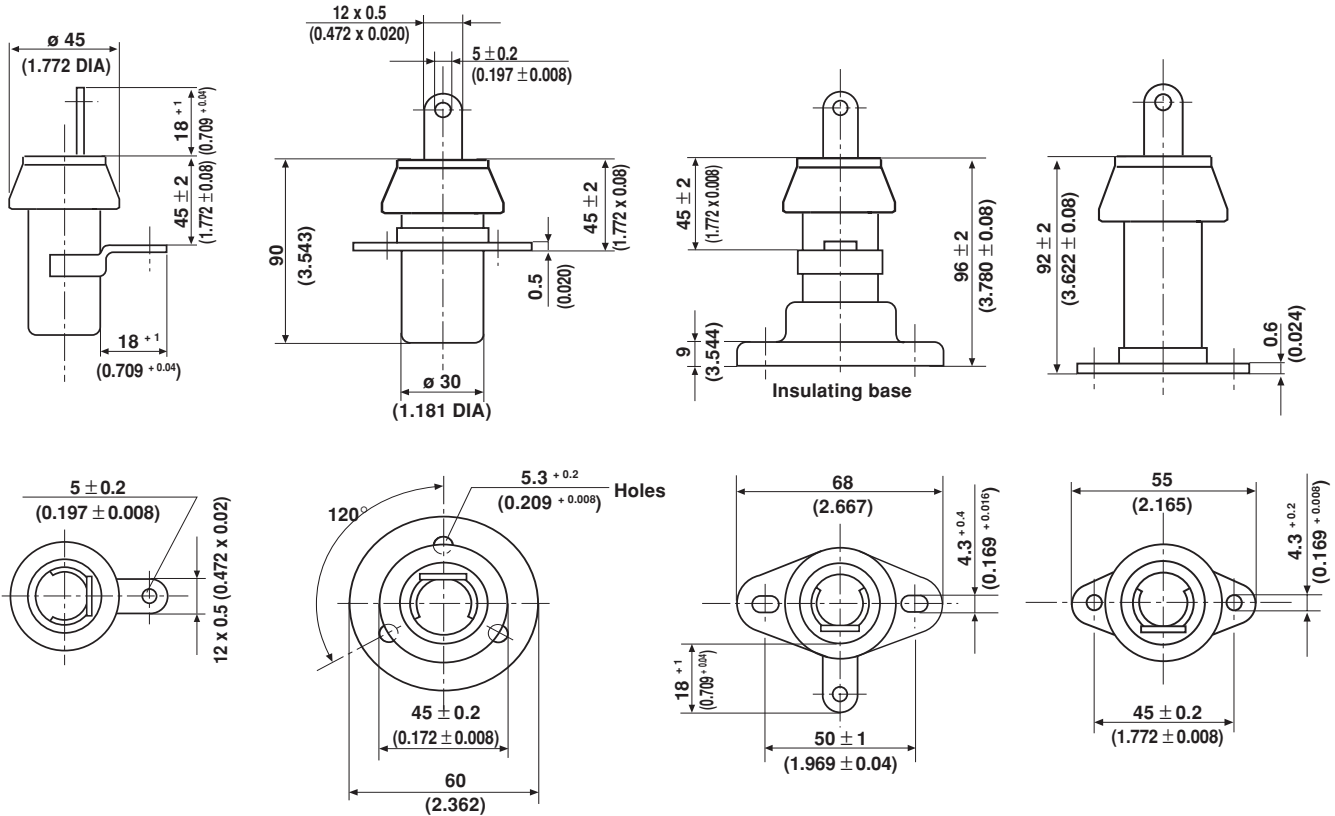
Pot Capacitors, Tag Mounting

TA 9KV_p to 10KV_p

TB 9KV_p to 10KV_p

TC 9KV_p to 10KV_p

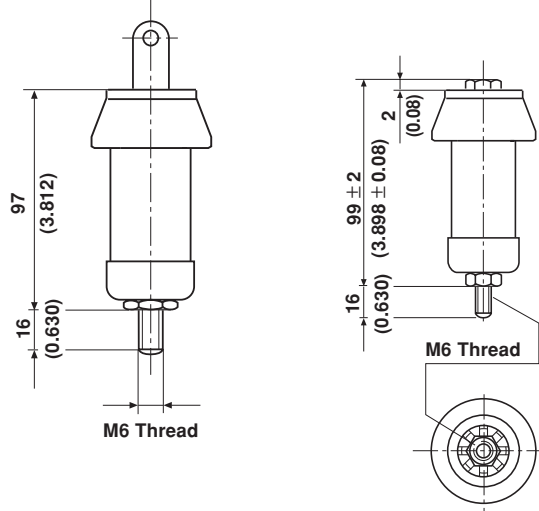
TE 9KV_p to 10KV_p



• Dimensions in millimeters (inches)

TD 9KV_p to 10KV_p

TDZ 9KV_p to 10KV_p



MATERIAL:

Capacitor elements made from Class 1-ceramic dielectric with noble metal electrodes.
 Connection Terminals: Copper/brass, silver plated.

FINISH:

Noble metal electrodes completely lacquered.
 Insulating rim glazed.

MARKING:

Type designator, Capacitance value and tolerance, Rated voltage (peak value), Production date code, Ceramic material code, DRALORIC Logo.

ORDERING INFORMATION				
TC 030090	10KV _p	1000pF	± 20%	R 85
MODEL	RATED VOLTAGE	CAPACITANCE VALUE	TOLERANCE	CERAMIC



T. 030090				
CERAMIC	CAPACITANCE VALUE [pF]	RATED VOLTAGE [KV_p]	RATED POWER [KVA_r]	RATED CURRENT [A_{RMS}]
R 7	50	10	14	9
	60			
	80			
R 16	100			
	120			
	160			
R 42	200	10	18	9
	250			
	300			
	400			
R 85	500	10	18	9
	600			
	800			
	1000	9		
	1200			
	1600			

CAPACITANCE TOLERANCES: ± 20%, ± 10%, ± 5%

Other capacitance values and tolerances are available on request.