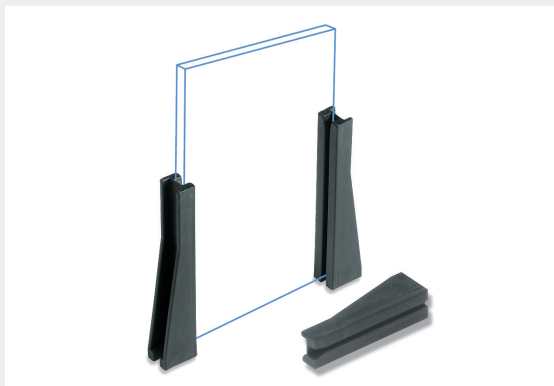


VERT-O-GIDE™

Vertical Guides for 1/16th, 3/32nd and 1/8th PCBs

- Two styles with 31 variations that mount with industry standard fasteners
- Can eliminate the need for card cages
- Allows for vertical installations of PCBs in limitless widths
- Compatible with 1/16th PCBs



VERT-O-GIDES™ provide the design flexibility and allow the ganging or tandem mounting of multiple PCBs. Retention is firm and there are no special tools or fixtures required for installation.

Mounting Information:

Standard #6 fasteners 0.146 [3.7mm] (#27 drill) hole for locating pin / anti-rotation hole

Material Specifications:

UL Rated 94V-0, Black, 10% Glass Filled 6 Nylon per ASTM D4066 PA210G10
 Oxygen Index: +28%
 UL File #E84658

Application Notes:

Prolonged pre-assembly exposure to high humidity can cause molded Nylon components to "grow" out of tolerance. Storage in a cool dry place is recommended.

Tops of guides converge slightly to grip boards.

Vert-O-Gide VG 2 Series

2" thru 6" Lengths

Dash No.	A	B	SW 1/16"PCB
VG2-2	2.0 (50.8)	1.5 (38.1)	.076 (1.9)
VG2-25	2.5 (63.5)	1.5 (38.1)	.076 (1.9)
VG2-3	3.0 (76.2)	2.0 (50.8)	.076 (1.9)
VG2-35	3.5 (88.9)	2.0 (50.8)	.076 (1.9)
VG2-4	4.0 (101.6)	2.0 (50.8)	.076 (1.9)
VG2-45	4.5 (114.3)	2.0 (50.8)	.076 (1.9)
VG2-5	5.0 (127.0)	2.0 (50.8)	.076 (1.9)
VG2-55	5.5 (139.7)	2.0 (50.8)	.076 (1.9)
VG2-6	6.0 (152.4)	2.0 (50.8)	.076 (1.9)

*For slot widths other than .076" (1.9), add-xxx e.g. VG2-4-134 is a VG2-4 guide with a slot width of .134" (3.4)

