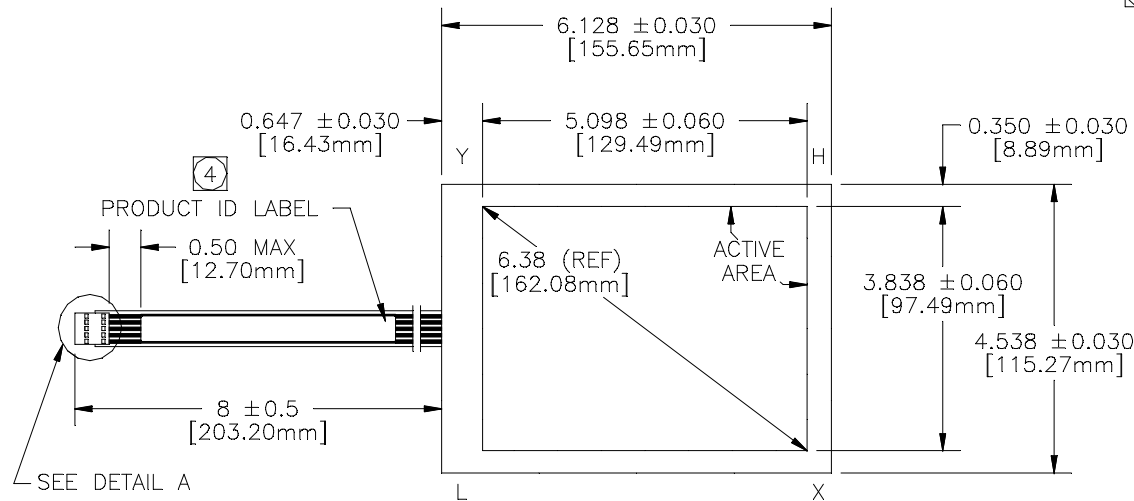


CONNECTOR PINOUT	
PIN NO.	DESIGNATION
1	H
2	X
3	S
4	Y
5	L

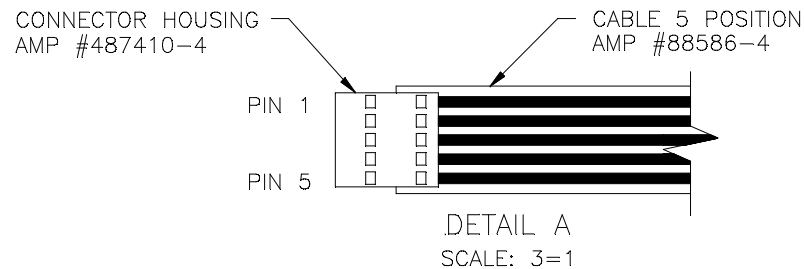
ACCUTOUCH® TOUCHSCREEN
SCN-AT-FLT06.4-001-0HX

NOTES:

- GLASS THICKNESS 0.093 NOMINAL [2.36mm].
 - FINISHED PART THICKNESS 0.105 NOMINAL [2.67mm].
 - FINISHED PART THICKNESS AT CABLE ATTACHMENT AREA 0.135 MAX [3.43mm].
- ④ LABEL TO BE ATTACHED TO FRONT SIDE OF CABLE.



NOTE:
CABLE ATTACHED TO LEFT
SIDE OF TOUCHSCREEN AT
CENTER POINT AS SHOWN.



TOUCHSCREEN TABULATION		
NEW P/N	OLD P/N	TYPE
407349-000	002741HL-451	ANTI GLARE
487669-000	002740HL-451	CLEAR

UNLESS OTHERWISE SPECIFIED:
DIMENSIONS ARE IN INCHES

