

### HOW TO ORDER:

EXAMPLE: 190 - 007 - 7 - 14S - 5 P W M

PRODUCT SERIES

BASIC NO

7 = RECEPTACLE ASSEMBLY

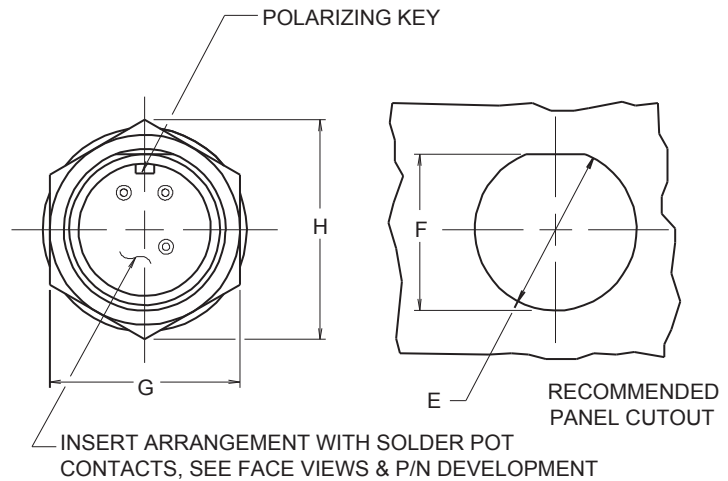
SHELL SIZE, TABLE I

INSERT ARRANGEMENT DASH NO.

CONTACT STYLE :  
P = PIN  
S = SOCKET

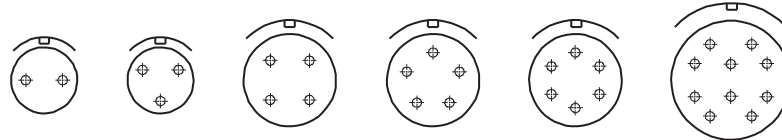
ALTERNATE INSERT POSITION, N, W, X, Y OR Z

M = MOLDING ADAPTER, OMIT FOR NONE



### INSERT ARRANGEMENTS

#### FACE VIEW OF PIN INSERT SHOWN



INSERT ARRANGEMENT: 10SL-4	10SL-3	14S-2	14S-5	14S-6	18-1
CONTACT SIZE & QUANTITY: 2 - #16	3 - #16	4 - #16	5 - #16	6 - #16	10 - #16
MS SERVICE RATING: A	A	INST	INST	INST	4A 6 INST

### TABLE I: CONNECTOR DIMENSIONS

SHELL SIZE	A THREAD CLASS 2A	B THREAD CLASS 2A	C THREAD CLASS 2A	D DIA MAX	E DIA +.010 - .000 (+0.3 - 0)	F +.010 - .000 (+0.3 - 0)	G FLATS	H MAX
10SL	.625-.1P-1L	3/4 -20 UNEF	5/8 -24 UNEF	1.10 (27.9)	.760 (19.3)	.710 (18.0)	.938 (23.8)	1.09 (27.7)
14S	.875-.1P-1L	1 -20 UNEF	7/8 -20 UNEF	1.45 (36.8)	1.010 (25.7)	.960 (24.4)	1.250 (31.8)	1.44 (36.6)
18	1.125-.1P-1L	1 1/4 -18 UNEF	1 1/8 -16 UN	1.75 (44.5)	1.260 (32.0)	1.210 (30.7)	1.500 (38.1)	1.73 (43.9)

### NOTES:

- ASSEMBLY IDENTIFIED WITH MANUFACTURER'S NAME AND P/N, SPACE PERMITTING.
- GLENAIR 190-007 CONNECTOR FEATURES :
  - SHELL: HIGH GRADE ENGINEERING THERMOPLASTIC (RYTON).
  - INSULATOR, O-RING, GROMMET: NITRILE/NEOPRENE
  - CONTACTS: GOLD PLATED COPPER ALLOY WITH SOLDER POTS
  - CONTACT CURRENT RATING: #16-10 AMPS.
  - RATED OPERATING VOLTAGE: SERVICE RATING INST - 250 VDC  
SERVICE RATING A - 700 VDC
  - DIELECTRIC W/STANDING VOLTAGE (HI-POT): SERVICE RATING INST - 1000 VRMS, A - 2000 VRMS
  - INSULATION RESISTANCE: 5000 MEGOHMS MINIMUM AT 500 VDC AND +25AC
  - TEMPERATURE RANGE: -55AC TO +125AC
- ELECTRICAL SAFETY LIMITS MUST BE ESTABLISHED BY THE USER . PEAK VOLTAGES, SWITCHING SURGES, TRANSIENTS, ETC., SHOULD BE USED TO DETERMINE THE SAFETY OF APPLICATION .

