

DATA SHEET

CIRCULATORS / ISOLATORS 4 GHz

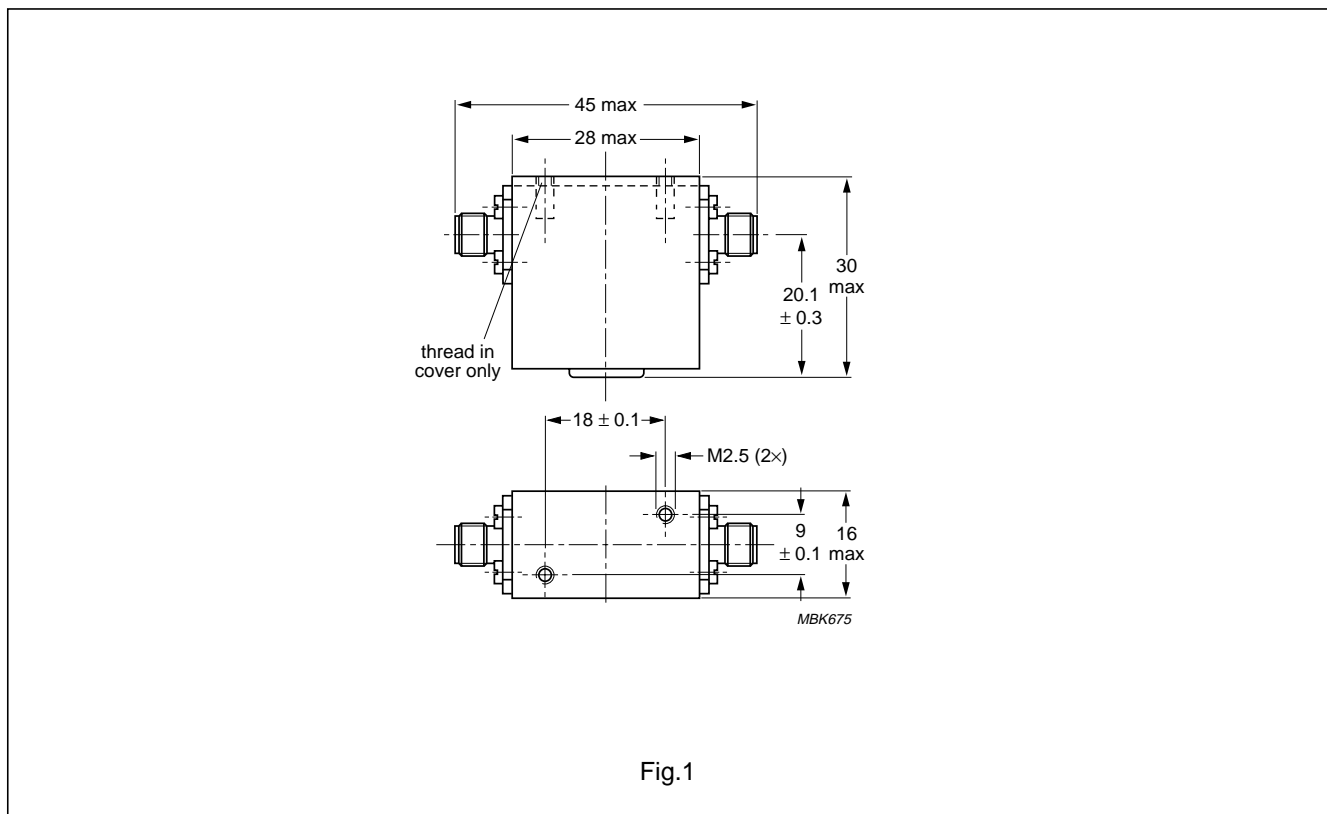
Product specification
Supersedes data of October 1995
File under Professional Components, PC06

1998 Feb 20

CIRCULATORS / ISOLATORS 4 GHz

Preferred application: radio links

TYPE	DIMENSIONS Fig.	FREQUENCY RANGE MHz	MAXIMUM POWER	
			CW W	REFLECTED W
2722 162 02471	1	4200 to 4400	10	1,5
2722 162 03431 03441	2	3800 to 4200 4400 to 5000	10	
2722 162 04031 04041	3	3800 to 4200 4400 to 5000	10	



CIRCULATORS / ISOLATORS

4 GHz

TYPE	ISOLATION		INSERTION LOSS		VSWR		TEMP. RANGE °C	CONNECTOR	MASS g
	MIN. dB	TYP. dB	MAX. dB	TYP. dB	MAX.	TYP.			
2722 162 02471	23	25	0,3	0,25	1,2	1,12	-55 to +90	SMA female	60
2722 162 03431 03441	25	27	0,25	0,2	1,12	1,10	-10 to +70	SMA female	110
2722 162 04031 04041	25	27	0,25	0,2	1,12	1,10	-10 to +70	SMA female	220

