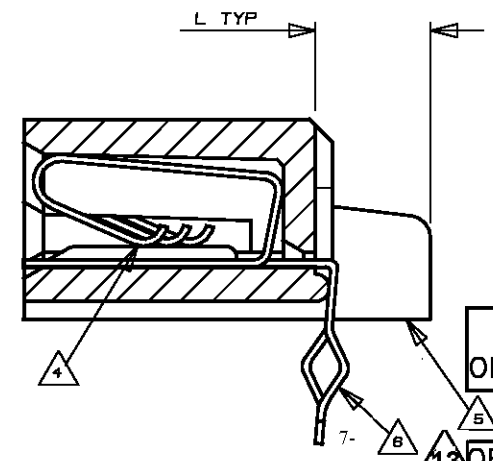
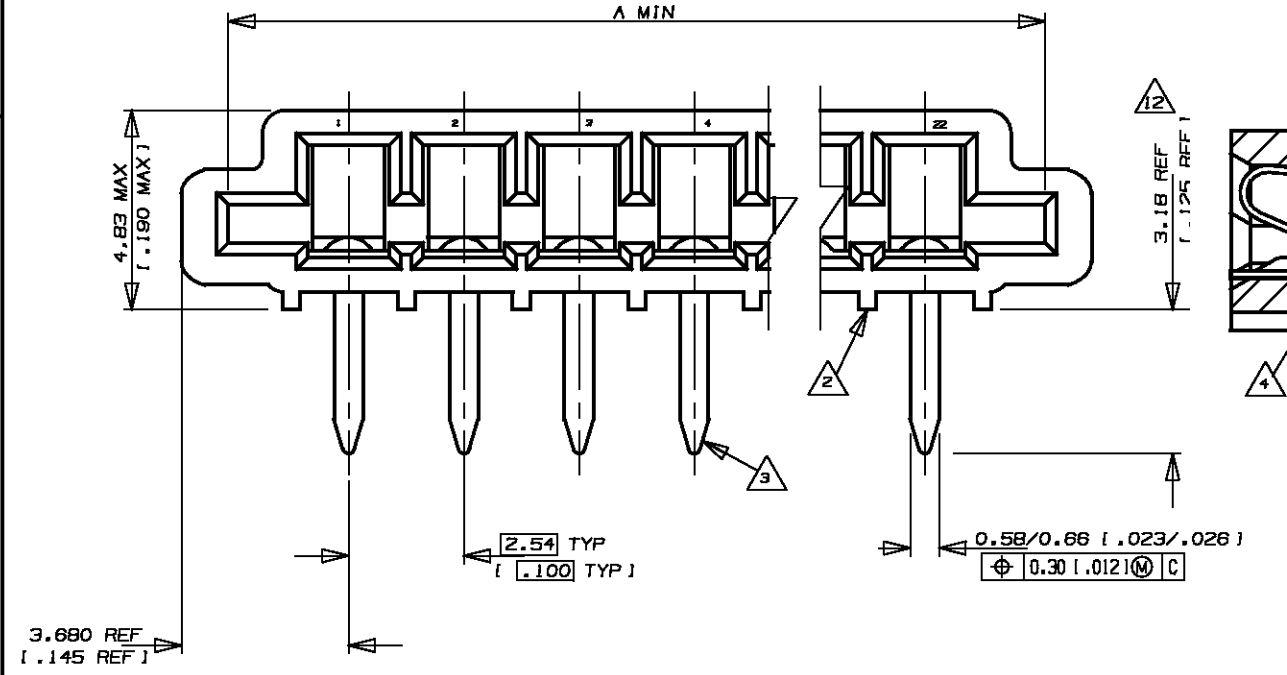
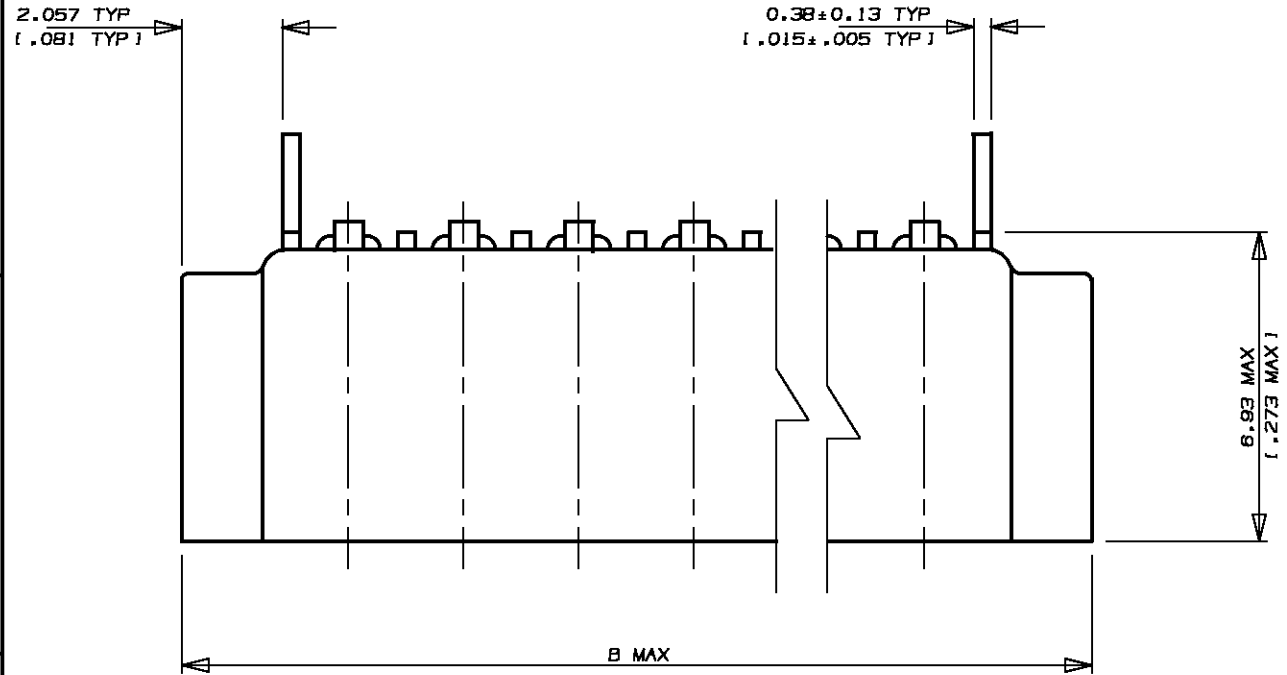


487508
 METRIC
 (3rd ANGLE PROJECTION)



- NOTES
- CONNECTOR WILL ACCEPT FLEXIBLE PRINTED CIRCUIT OR FLAT FLEXIBLE CABLE ON 2.54 (.100) CENTERS IN A THICKNESS RANGE OF 0.127 TO 0.381 (.005 TO .015) IN CONTACT AREA
 - STAND-OFFS PREVENT SOLVENT ENTRAPMENT
 - LEAD-IN ON PINS FOR EASE OF INSERTION INTO BOARD
 - SEQUENTIAL CONTACTS REDUCE CABLE INSERTION FORCE
 - STABILIZING WING MAY BE REMOVED BY CUSTOMER IF NECESSARY
 - ALTERNATING CONTACT FORM RETAINS CONNECTOR IN P.C. BOARD DURING SOLDER OPERATION
 - ACCEPTS CABLE OR CIRCUITRY WITH EXPOSED CONDUCTORS FACING TOWARD OR AWAY FROM THE BOARD SURFACE
 - REFER TO APPLICATION SPEC 114-2062
 - MATERIAL
 HOUSING : GLASS REINFORCED POLYESTER
 THERMOPLASTIC UL 94 VO RATED, BLACK
 CONTACT : PHOS BRONZE
 - CONNECTOR IS HIGH NORMAL PROCE
 - MATTE TIN, 0.005 (.0002) MIN THK OVER COPPER 0.003 (.00015) MIN THK ON ENTIRE CONTACT
 - AREA INDICATED SHALL MEET SOLDERABILITY SPEC 109-11-1
 - OBsolete PARTS: OBsolete CIS STREAMLINING PER D.RENAUD/D.SINISI

	LEAD FREE				SUPERSEDED	
487508-8	1.067 [.042]	25.22 [.993]	23.01 [.906]	8	2-487508-8	
487508-1		80.78 [2.393]	58.57 [2.306]	22	2-487508-1	
487508-0		58.24 [2.293]	56.03 [2.206]	21	2-487508-0	
6-487508-9		55.70 [2.193]	53.49 [2.106]	20	1-487508-9	
6-487508-8		53.16 [2.093]	50.95 [2.006]	19	1-487508-8	
487508-7		50.62 [1.993]	48.41 [1.906]	18	1-487508-7	
6-487508-6		48.08 [1.893]	45.87 [1.806]	17	1-487508-6	
6-487508-5		45.54 [1.793]	43.33 [1.706]	16	1-487508-5	
487508-4		43.00 [1.693]	40.79 [1.606]	15	1-487508-4	
6-487508-3		40.46 [1.593]	38.25 [1.506]	14	1-487508-3	
6-487508-2		37.92 [1.493]	35.71 [1.406]	13	1-487508-2	
6-487508-1		35.38 [1.393]	33.17 [1.306]	12	1-487508-1	
6-487508-0		32.84 [1.293]	30.63 [1.206]	11	1-487508-0	
5-487508-9		30.30 [1.193]	28.09 [1.106]	10	487508-9	
5-487508-8		27.76 [1.093]	25.55 [1.006]	9	487508-8	
5-487508-7		25.22 [.993]	23.01 [.906]	8	487508-7	
5-487508-6		22.68 [.893]	20.47 [.806]	7	487508-6	
5-487508-5		20.14 [.793]	17.93 [.706]	6	487508-5	
5-487508-4		17.60 [.693]	15.39 [.606]	5	487508-4	
5-487508-3		15.06 [.593]	12.85 [.506]	4	487508-3	
5-487508-2		12.52 [.493]	10.31 [.406]	3	487508-2	
487508-1	2.540 [.100]	9.98 [.393]	7.77 [.306]	2	487508-1	

PART NO	L	B	A	POS	PART NO
Copyright ©1993 AMP MANUFACTURING (SINGAPORE) PTE. LTD. ALL RIGHTS RESERVED.					
<div style="display: flex; justify-content: space-between;"> <div> <p>(WIRE RANGE) mm² (AWG -)</p> <p>(MATERIAL) 9</p> <p>DR. WYLEE 30.7.93</p> <p>CHK. SALLY 30.7.93</p> </div> <div> <p>(INSULATION DIA.) mm</p> <p>(FINISH) 11</p> <p>DE. A.SOH</p> <p>APP. PETER de JONG</p> </div> <div> <p>(NAME) TRIOMATE HORIZONTAL CABLE ENTRY FOR 1.57 [.062] THK P.C. BOARD</p> <p>(GENERAL TOLERANCE) ± 0.38 [± .015]</p> </div> <div> <p>SIZE A3 DY</p> <p>LOC 6:1</p> <p>(No.) 487508</p> <p>REV. E2</p> <p>SHEET 1 OF 1</p> </div> </div>					

E2	REVISD PER ECO-09-026346	KK	AEG	27NOV09
E1	REVISD AS PER ECR-06-04332	PM	KS	21FEB06
E	REVISD FR00-0011-04	SD	PCH	19FEB04
D	REVISD FP00-0120-98	LWY	TLP	31MAR98
C	REDRAWN DY/EC/07B4	LWY	SL	30.7.93
LTR	(REVISION RECORD)	DR	CHK	DATE

DIMENSIONS IN MM (INCHES). DO NOT SCALE PRINT

PRINT DIST

(CUSTOMER DRAWING)