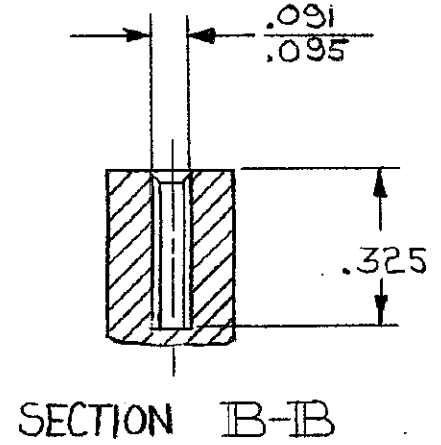
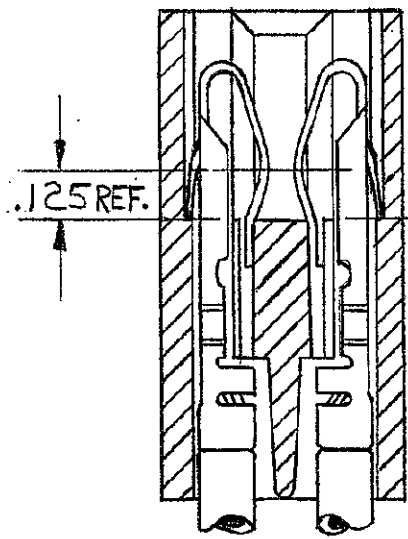
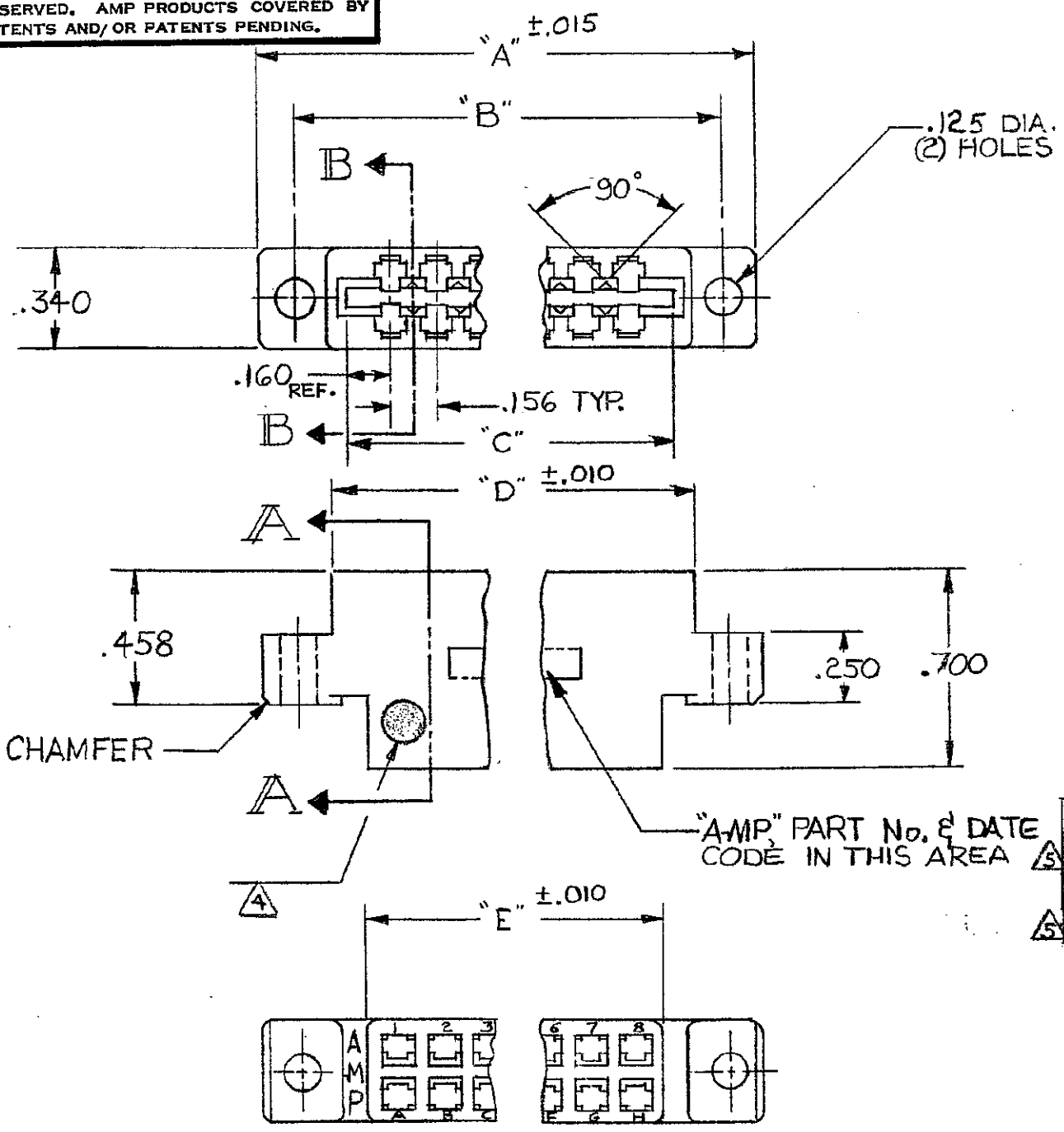


NUMBER 582140

©1960 BY AMP INCORPORATED. ALL RIGHTS RESERVED. AMP PRODUCTS COVERED BY PATENTS AND/OR PATENTS PENDING.

REVISIONS				
ZONE	LTR	DESCRIPTION	DATE	APPROVED
	T	REDRAWN & REVISED	Y-152, Y-142	2-4-66 ER. D.H.
	T1	ADDED - 7	2782	11-24-70 M.S. D.H.
✓	U	REVISED NOTE 4	7490	8-4-81 P.K.
✓	V	REV PER 0010-1585-95		2-27-97 P.B./K.W.K.
✓	W	DBS-2 PER EC 0320-354-97		05 JAN 98 DW



PART No.	"A"	"B"	"C"	"D"	"E"	MATERIAL
582140-2	1.985	1.770	1.411	1.552	1.290	SEE NOTE #2
582140-5	1.982	1.767 ^{1.767}	1.410	1.550	1.288	SEE NOTE #3
582140-7	1.982	1.767	1.410	1.550	1.288	SEE NOTE #3

NOTE:
 1. .055-.070 BOARD THICKNESS.
 2. DIALYL PHTHALATE, GLASS FILLED PER MIL-M-14F TYPE SD.G.F. COLOR BLUE.
 3. PHENOLIC - COLOR - BLACK.

△ STAMPED WITH .250 DIA. WHITE DOT ON LOWER LEFT HAND CORNER ON EITHER SIDE OF HOUSING

△ OBSOLETE PART NUMBER.

UNLESS OTHERWISE SPECIFIED DIM. ARE IN INCHES. TOLERANCES ON: DECIMALS ±.005 ANGLES ± #		CONTRACT NO.		AMP INCORPORATED HARRISBURG, PENNSYLVANIA	
MATERIAL SEE CHART		DR E. Benninger 2-4-66		NAME AMP	
LOC FT		CHK J.S. Heide 2/8/66		8 DUAL AMP-LEAF HOUSING	
PRINT DIST		APPD R. Shuman 2/8/66		SIZE B	
HEAT TREAT		DSGN APPD R. Holliday 2/9/66		CODE IDENT NO. 00779	
FINISH		OTHER APPD		NUMBER 582140	
				SCALE 2-1	
				WT CALC ACTUAL	
				SHEET 1 OF 1	