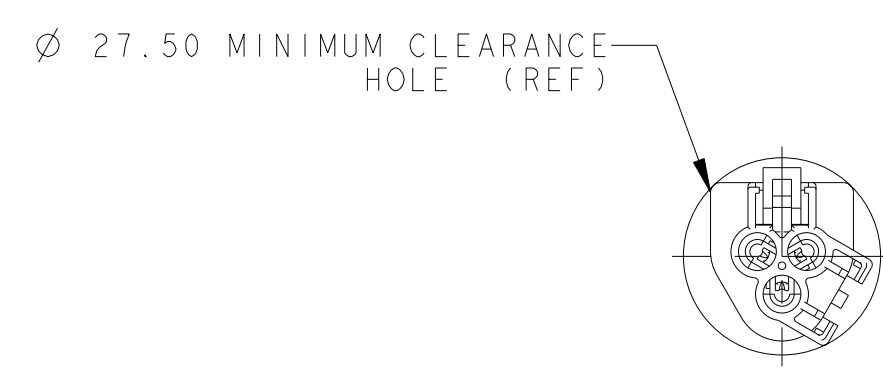
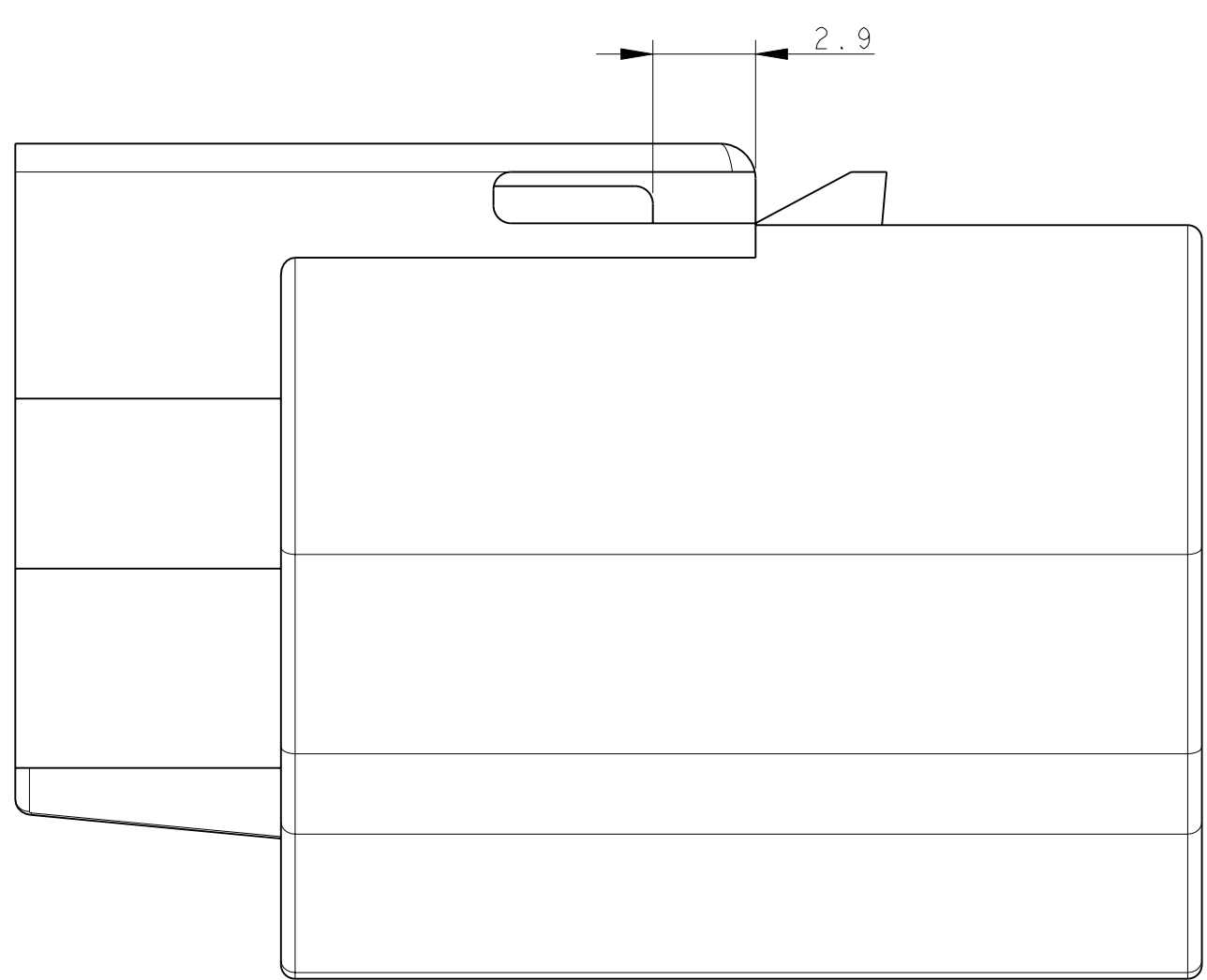
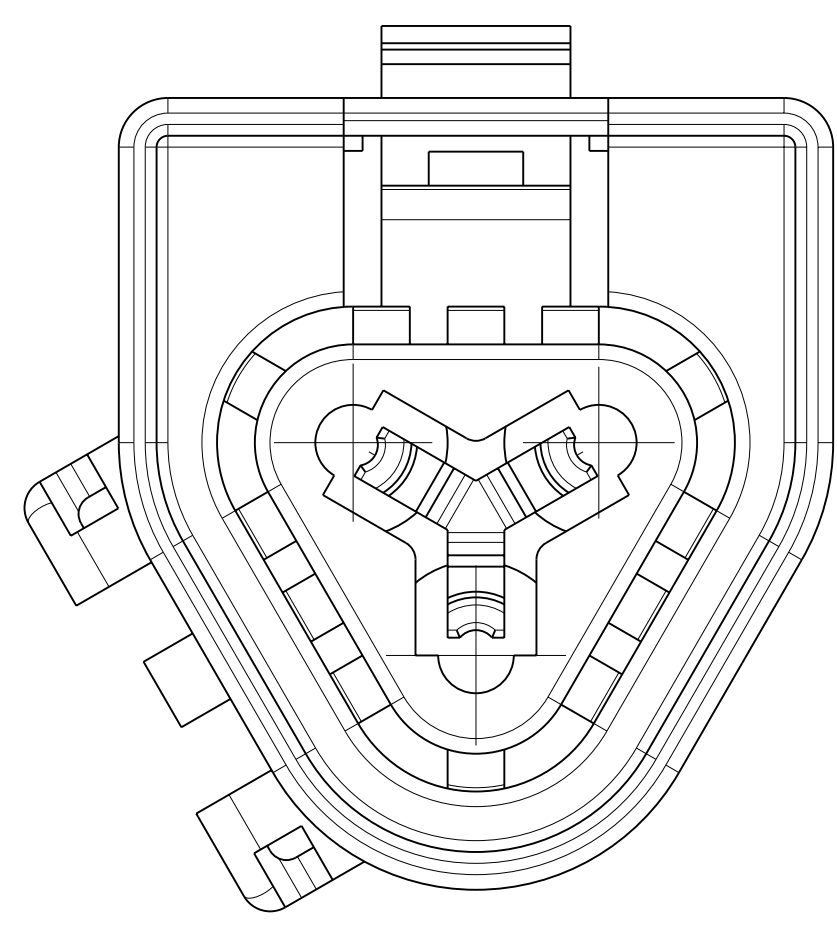
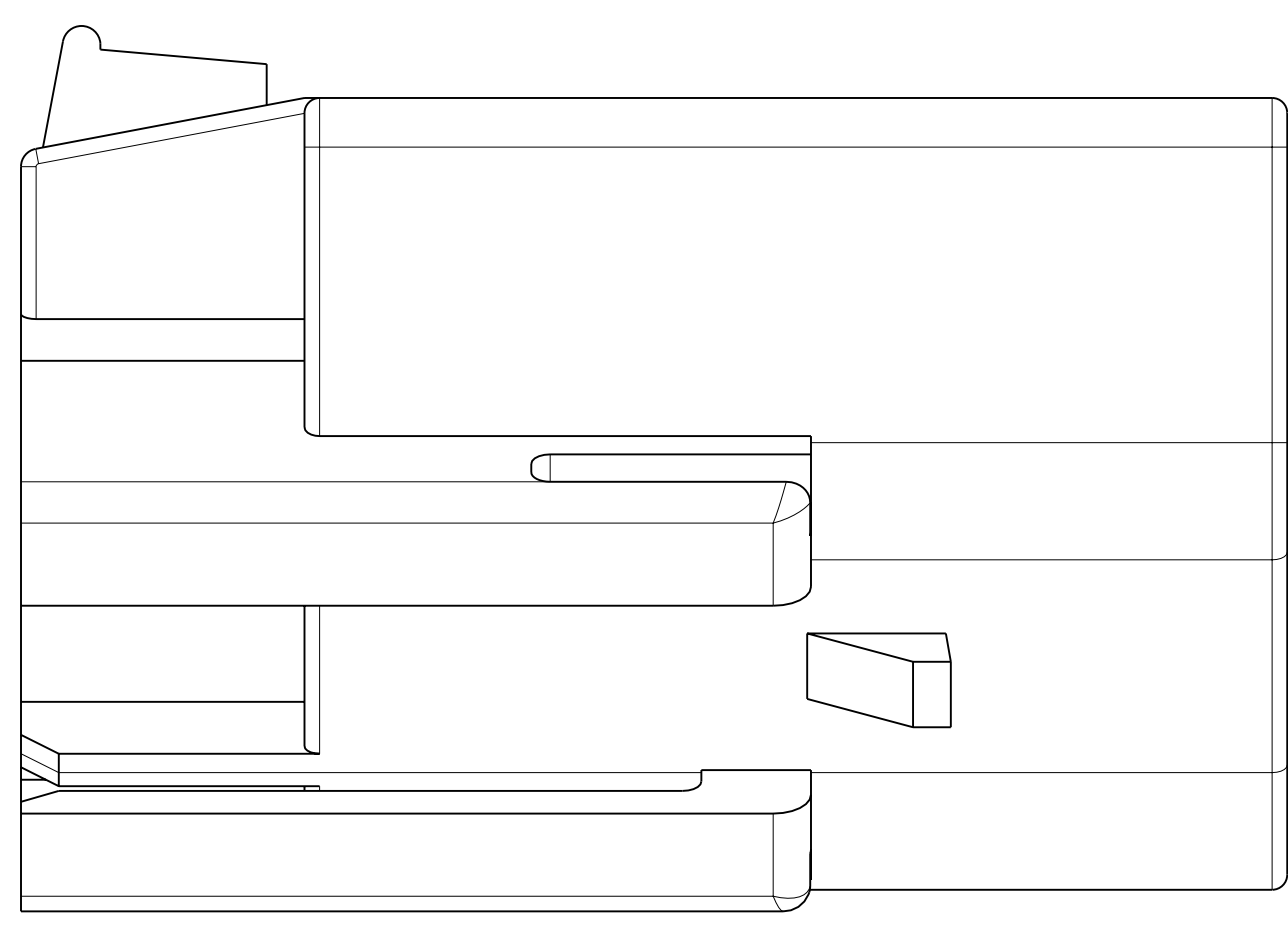
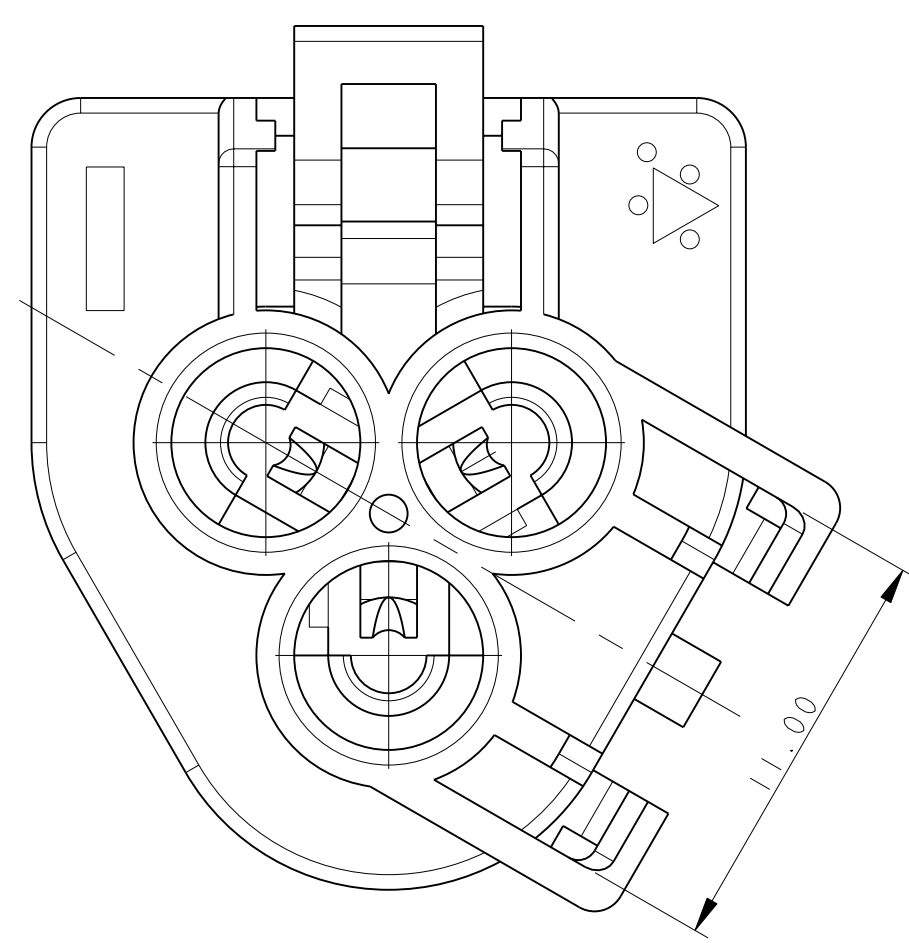
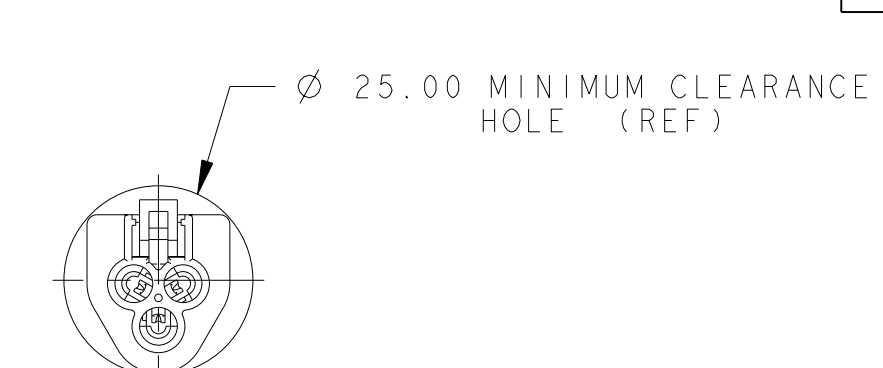


HOUSING
 WATERPROOF /
 NON WATERPROOF



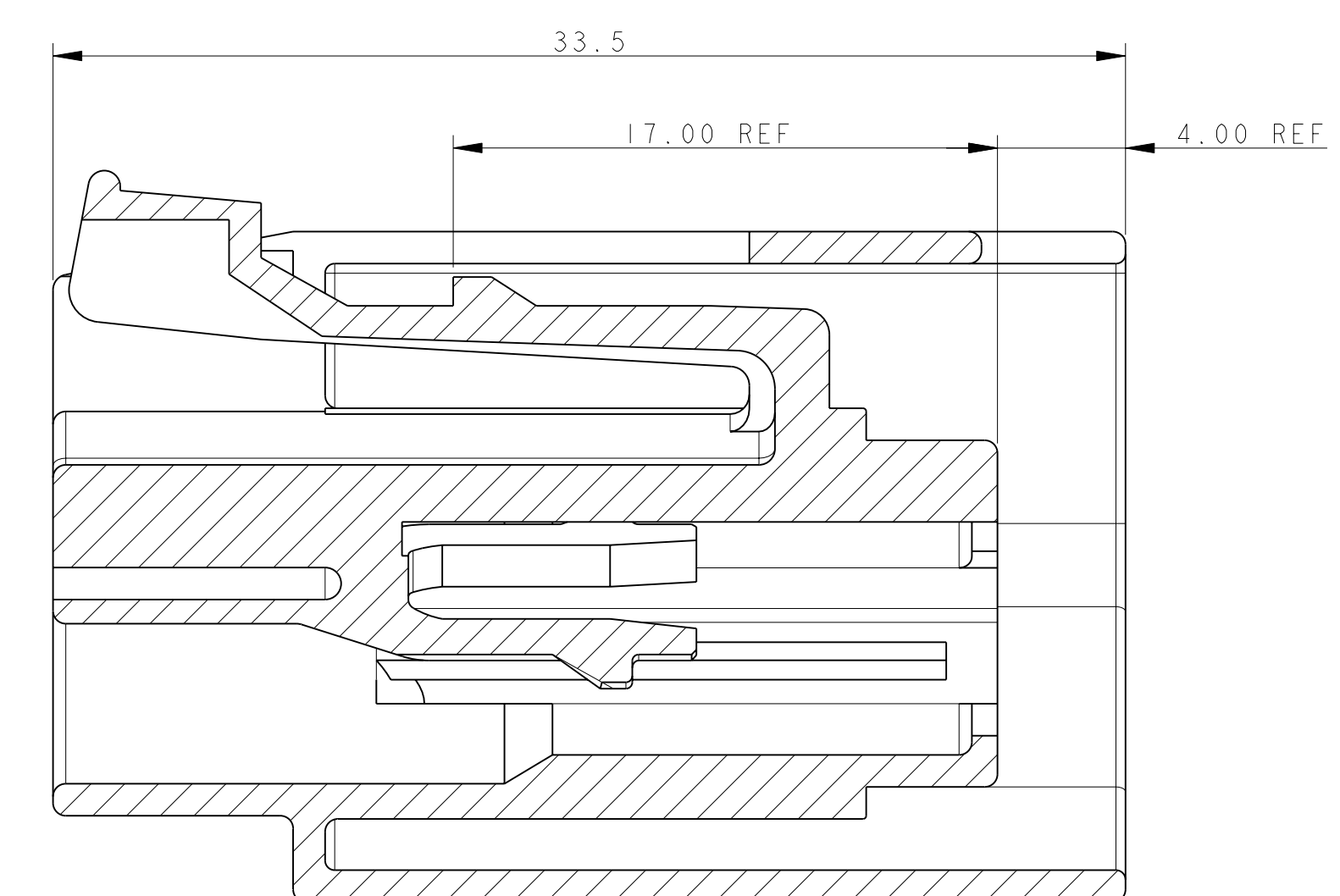
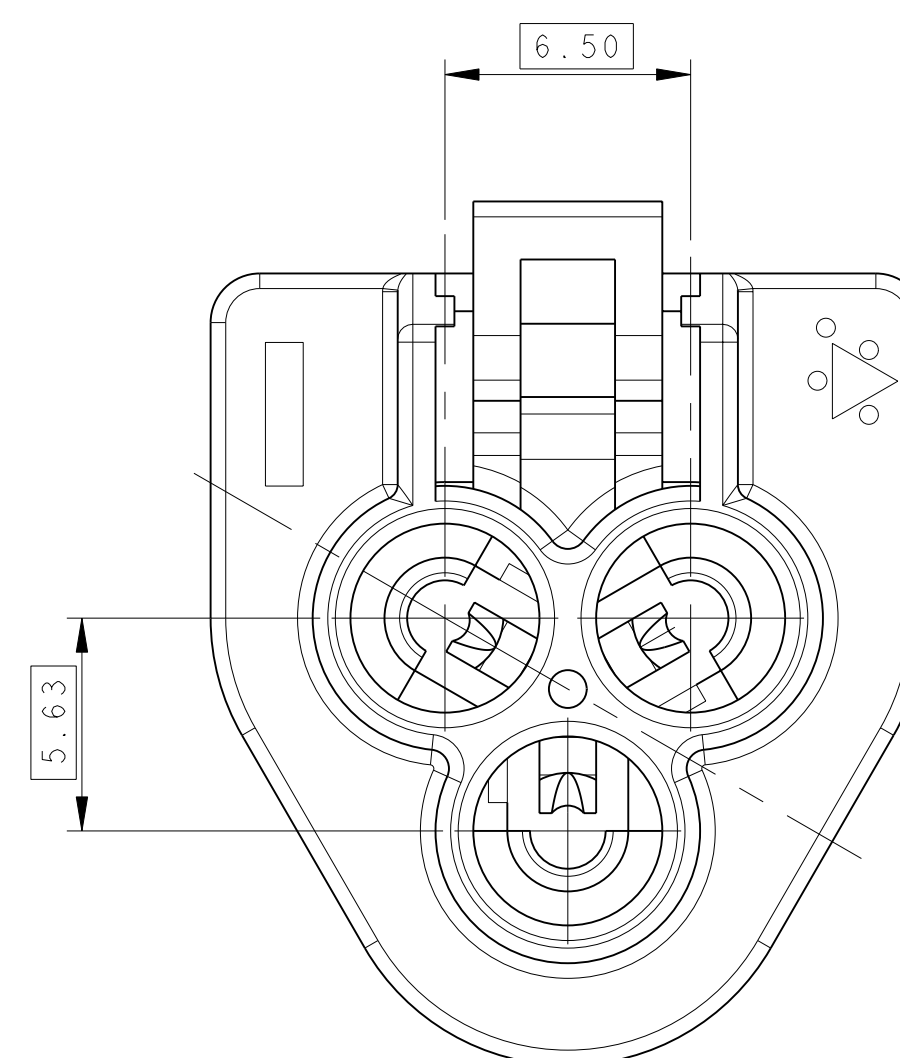
HOUSING MALE WITH RETAINER



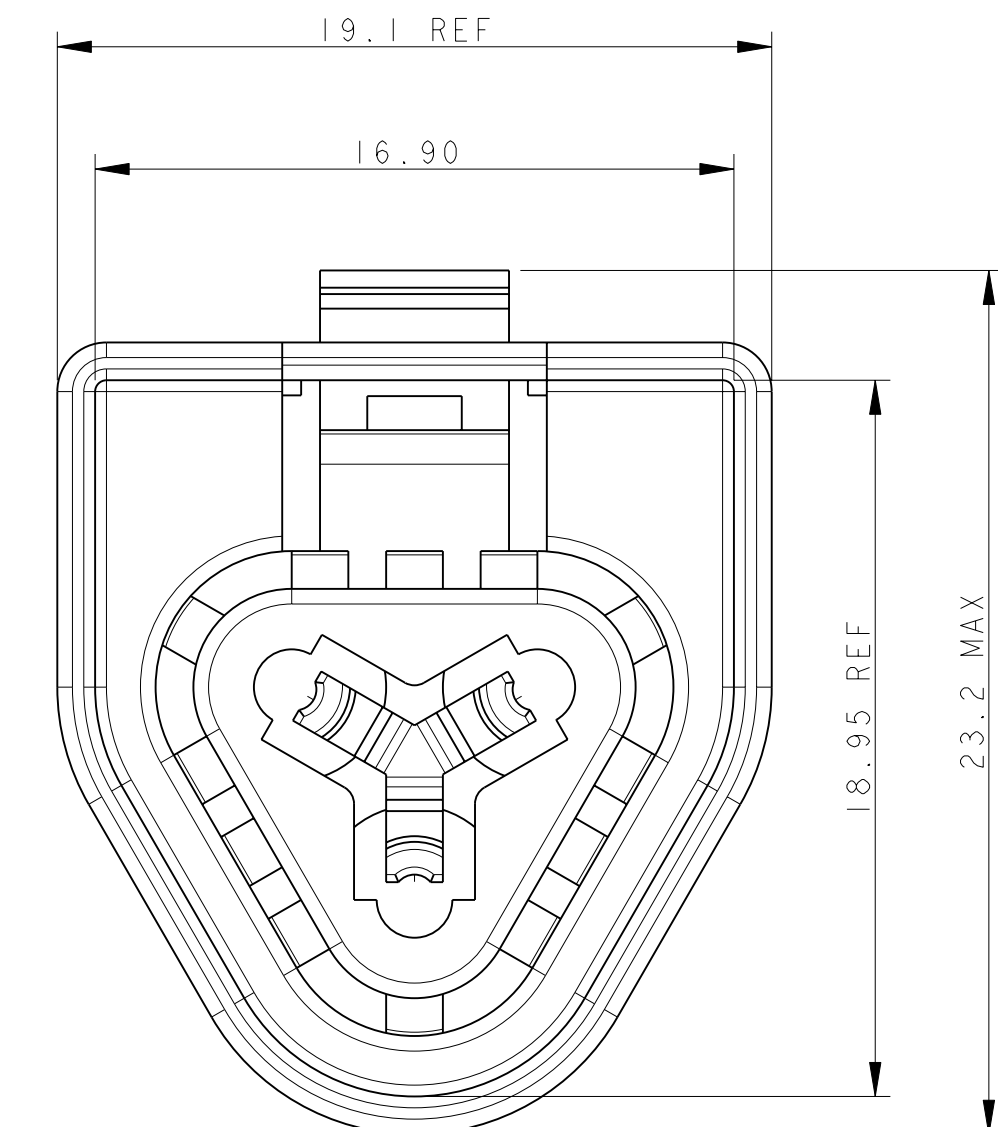
HOUSING MALE WITHOUT RETAINER

FULL SIZE VIEWS
 SCALE 1.000

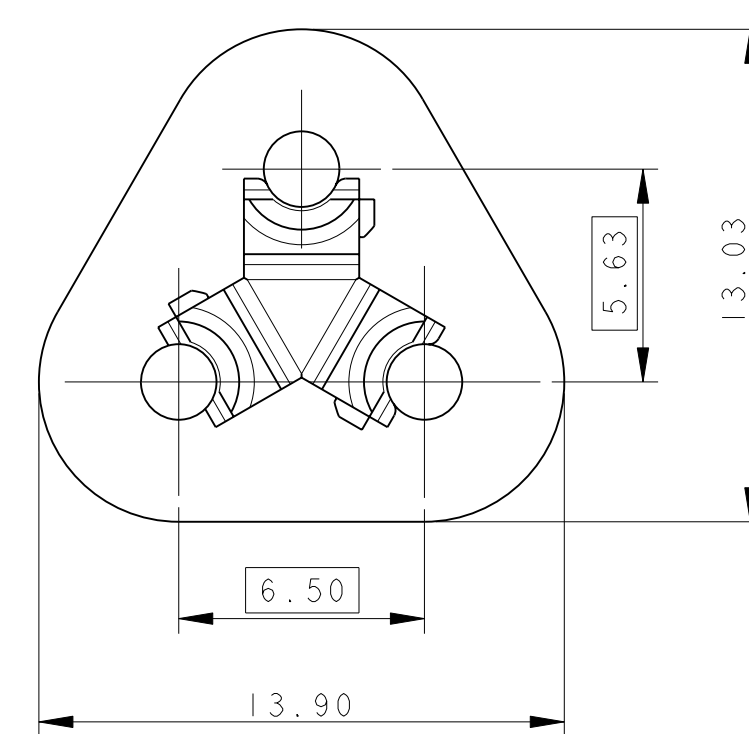
HOUSING WITH RETAINER DETAILS



SECTION A-A



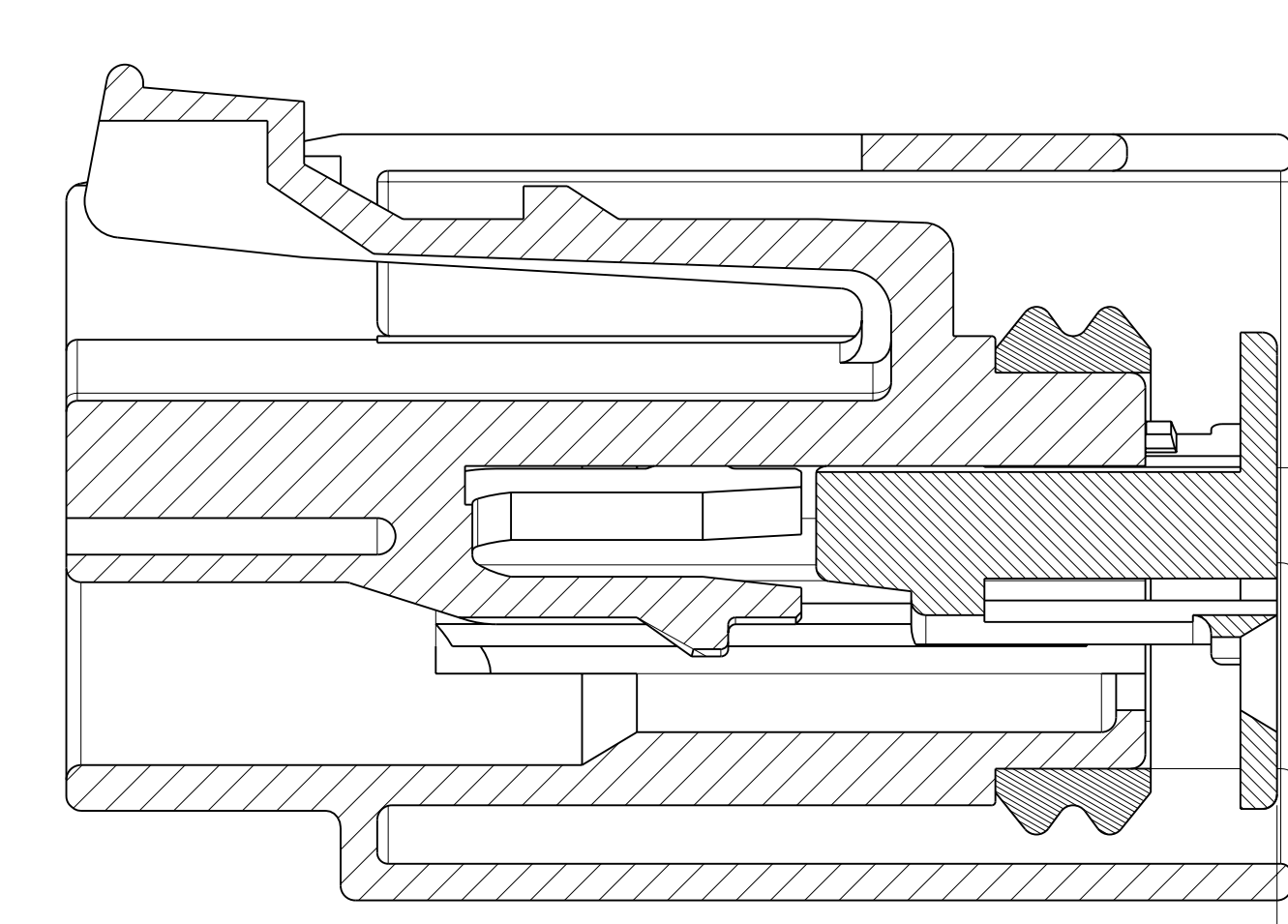
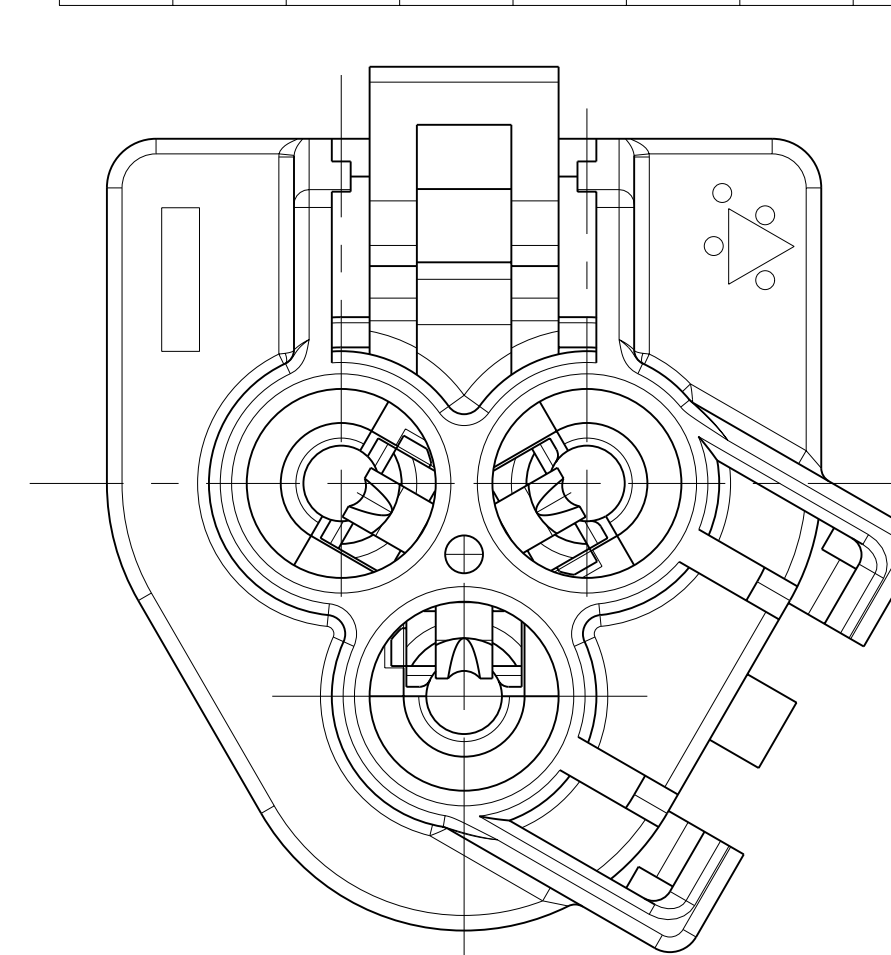
SPACER NOTES
 WATERPROOF (BLUE)
 NON WATERPROOF (RED)



							DESCRIPTION	ITEM
	I		I				HOUSING BLACK WITH RETAINER	1
I		I					HOUSING BLACK WITHOUT RETAINER	1
					I	I	HOUSING NATURAL WITH RETAINER	1
							HOUSING NATURAL WITHOUT RETAINER	1
						I	HOUSING GREY WITHOUT RETAINER	1
					I		SPACER RED	2
I	I						SPACER LIGHT BLUE	2
I	I						SEAL REDDISH BROWN	3

PART AS SUPPLIED				COMPONENTS			COLOURS			MATERIALS		
TYCO ELECTRONICS PART No.	DESCRIPTION	WATERPROOF	WEIGHT	1 HOUSING	2 SPACER	3 SEAL	1 HOUSING	2 SPACER	3 SEAL	1 HOUSING	2 SPACER	3 SEAL
7-1437710-6	3 WAY MALE CONNECTOR	YES	6.2 gr.	I	I	I	BLACK	LIGHT BLUE	REDDISH BROWN	PBTP 33% GF	PBTP 33% GF	SILICONE ELASTOMER
7-1437710-7	3 WAY MALE CONNECTOR WITH RETAINER		6.6 gr.									
7-1437710-8	3 WAY MALE CONNECTOR	NO	5.9 gr.	I	I		BLACK	RED		PBTP 33% GF	PBTP 33% GF	SILICONE ELASTOMER
7-1437710-9	3 WAY MALE CONNECTOR WITH RETAINER		6.3 gr.									

SUITABLE FOR			MATING PARTS	
TERMINAL FEMALE	WIRE SEAL	BLIND PLUG	TYCO ELECTRONICS PART No.	DESCRIPTION
0-1437709-9 (0.22-0.35mm ²) GOLD PLATED 1-1437709-0 (0.50-1.00mm ²) GOLD PLATED 1-1437709-7 (1.50mm ²) GOLD PLATED 1-1437709-4 (0.22-0.35mm ²) TIN PLATED 1-1437709-5 (0.50-1.00mm ²) TIN PLATED 1-1437709-6 (1.50mm ²) TIN PLATED	1-1437713-1 (0.22-0.35) BLACK 1-1437713-2 (0.50-1.00) RED 1-1437713-3 (1.50) BLUE	1-1437713-4	3-1437712-1	3 WAY FEMALE CONNECTOR WATERPROOF
0-1437709-9 (0.22-0.35mm ²) GOLD PLATED 1-1437709-0 (0.50-1.00mm ²) GOLD PLATED 1-1437709-7 (1.50mm ²) GOLD PLATED 1-1437709-4 (0.22-0.35mm ²) TIN PLATED 1-1437709-5 (0.50-1.00mm ²) TIN PLATED 1-1437709-6 (1.50mm ²) TIN PLATED		1-1437713-4	3-1437712-2	3 WAY FEMALE CONNECTOR NON WATERPROOF



SECTION A-A
 AS SHIPPED FOR WIRE ASSEMBLY
 (SPACER IN PRIMARY LATCH POSITION)

PART AS SUPPLIED				COMPONENTS			COLOURS			MATERIALS		
TYCO ELECTRONICS PART No.	DESCRIPTION	WATERPROOF	WEIGHT	1 HOUSING	2 SPACER	3 SEAL	1 HOUSING	2 SPACER	3 SEAL	1 HOUSING	2 SPACER	3 SEAL
8-1437710-1	3 WAY MALE CONNECTOR	YES	6.2 gr.	I	I	I	NATURAL	LIGHT BLUE	REDDISH BROWN	PBTP 33% GF	PBTP 33% GF	SILICONE ELASTOMER
8-1437710-2	3 WAY MALE CONNECTOR WITH RETAINER		6.6 gr.									
-	3 WAY MALE CONNECTOR	NO	-	I	I		NATURAL	RED		PBTP 33% GF	PBTP 33% GF	SILICONE ELASTOMER
8-1437710-3	3 WAY MALE CONNECTOR WITH RETAINER		6.3 gr.									

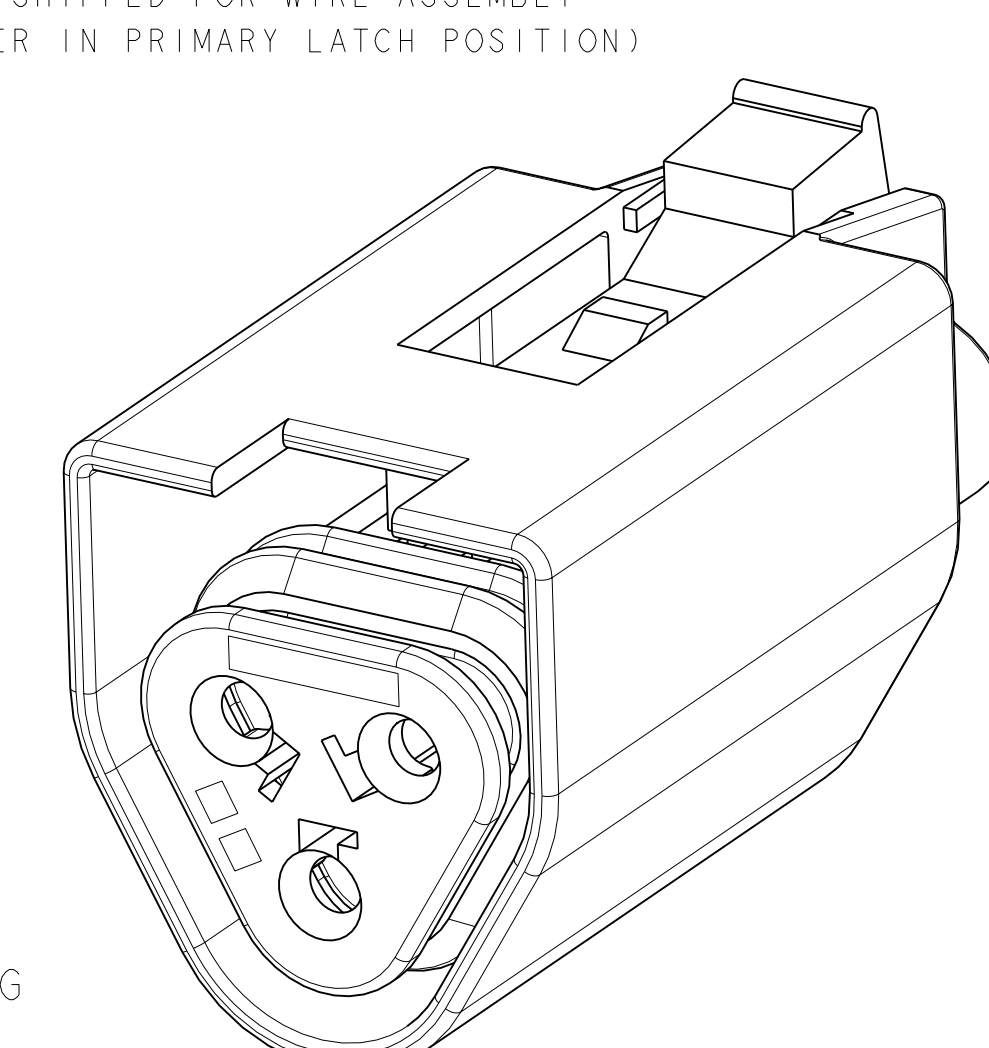
SUITABLE FOR			MATING PARTS	
TERMINAL FEMALE	WIRE SEAL	BLIND PLUG	TYCO ELECTRONICS PART No.	DESCRIPTION
0-1437709-9 (0.22-0.35mm ²) GOLD PLATED 1-1437709-0 (0.50-1.00mm ²) GOLD PLATED 1-1437709-7 (1.50mm ²) GOLD PLATED 1-1437709-4 (0.22-0.35mm ²) TIN PLATED 1-1437709-5 (0.50-1.00mm ²) TIN PLATED 1-1437709-6 (1.50mm ²) TIN PLATED	1-1437713-1 (0.22-0.35) BLACK 1-1437713-2 (0.50-1.00) RED 1-1437713-3 (1.50) BLUE	1-1437713-4	3-1437712-1	3 WAY FEMALE CONNECTOR WATERPROOF
0-1437709-9 (0.22-0.35mm ²) GOLD PLATED 1-1437709-0 (0.50-1.00mm ²) GOLD PLATED 1-1437709-7 (1.50mm ²) GOLD PLATED 1-1437709-4 (0.22-0.35mm ²) TIN PLATED 1-1437709-5 (0.50-1.00mm ²) TIN PLATED 1-1437709-6 (1.50mm ²) TIN PLATED		1-1437713-4	3-1437712-2	3 WAY FEMALE CONNECTOR NON WATERPROOF

PART AS SUPPLIED				COMPONENTS			COLOURS			MATERIALS		
TYCO ELECTRONICS PART No.	DESCRIPTION	WATERPROOF	WEIGHT	1 HOUSING	2 SPACER	3 SEAL	1 HOUSING	2 SPACER	3 SEAL	1 HOUSING	2 SPACER	3 SEAL
8-1437710-0	3 WAY MALE CONNECTOR	YES	6.2 gr.	I	I	I	GRAY	LIGHT BLUE	REDDISH BROWN	PBTP 33% GF	PBTP 33% GF	SILICONE ELASTOMER
-	3 WAY MALE CONNECTOR WITH RETAINER		-									
-	3 WAY MALE CONNECTOR	NO	-	I	I		GRAY	RED		PBTP 33% GF	PBTP 33% GF	SILICONE ELASTOMER
-	3 WAY MALE CONNECTOR WITH RETAINER		-									

SUITABLE FOR			MATING PARTS	
TERMINAL FEMALE	WIRE SEAL	BLIND PLUG	TYCO ELECTRONICS PART No.	DESCRIPTION
0-1437709-9 (0.22-0.35mm ²) GOLD PLATED 1-1437709-0 (0.50-1.00mm ²) GOLD PLATED 1-1437709-7 (1.50mm ²) GOLD PLATED 1-1437709-4 (0.22-0.35mm ²) TIN PLATED 1-1437709-5 (0.50-1.00mm ²) TIN PLATED 1-1437709-6 (1.50mm ²) TIN PLATED	1-1437713-1 (0.22-0.35) BLACK 1-1437713-2 (0.50-1.00) RED 1-1437713-3 (1.50) BLUE	1-1437713-4	-	3 WAY FEMALE CONNECTOR WATERPROOF
0-1437709-9 (0.22-0.35mm ²) GOLD PLATED 1-1437709-0 (0.50-1.00mm ²) GOLD PLATED 1-1437709-7 (1.50mm ²) GOLD PLATED 1-1437709-4 (0.22-0.35mm ²) TIN PLATED 1-1437709-5 (0.50-1.00mm ²) TIN PLATED 1-1437709-6 (1.50mm ²) TIN PLATED		1-1437713-4	-	3 WAY FEMALE CONNECTOR NON WATERPROOF

NOTES UNLESS OTHERWISE SPECIFIED:

- SEE CHART FOR MATING PART NUMBERS.
- THE CONNECTOR WITH MOUNTING FEATURE IS DESIGNED TO PASS THROUGH A \varnothing 27.50mm MIN. HOLE AND WITHOUT RETAINER MOUNTING FEATURE THROUGH A \varnothing 25.00mm MIN. HOLE.



DATE: 21FEB2006	BY: M. PALMI	APPD: R. MARTIN	REV: 1	REVISED FOR: 411-20111	SCALE: 5:1	SHEET: 1 OF 2	REV: A2
TYCO ELECTRONICS				Tyco Electronics AMP Italia S.p.A. C.so F.lli Cervi 15, Colligo (Tol)			
DIMENSIONS: SEE TABLE				MATERIAL: SEE TABLE			
CUSTOMER DRAWING				CASE CODE (DRAWING NO): 00779			
PRODUCT SPEC: 108-20269				RESTRICTED TO: -			

LOC	DIST	REV	DATE	BY	APPD
1	-	1			

3 WAY MALE, BLACK (WATERPROOF VERSION WITH RETAINER)	
ASSEMBLY	
T&B UNIVERSAL PART No	106055
TYCO PART No	△1-1437710-4
T&B FORD PART No	NPIUA-00R3XX
FORD PART No	91AG-14A464-BCC
TYCO PART No	7-1437710-7

△ OBSOLETE. SUPERSEDED BY 7-1437710-7

3 WAY MALE, BLACK (WATERPROOF VERSION WITHOUT RETAINER)	
ASSEMBLY	
T&B UNIVERSAL PART No	106053
TYCO PART No	△0-1447338-9
T&B FORD PART No	NPIUA-0003XX
FORD PART No	89FG-14A464-ACB
TYCO PART No	7-1437710-6

△ OBSOLETE. SUPERSEDED BY 7-1437710-6

3 WAY MALE, BLACK (NON-WATERPROOF VERSION WITH RETAINER)	
ASSEMBLY	
T&B UNIVERSAL PART No	106056
TYCO PART No	7-1437710-9
T&B FORD PART No	NPIUA-0AR3XX
FORD PART No	91AG-14489-BCC
TYCO PART No	7-1437710-9

3 WAY MALE, BLACK (NON-WATERPROOF VERSION WITHOUT RETAINER)	
ASSEMBLY	
T&B UNIVERSAL PART No	106054
TYCO PART No	△1-1437710-3
T&B FORD PART No	NPIUA-0A03XX
FORD PART No	89FG-14489-ACB
TYCO PART No	7-1437710-8

△ OBSOLETE. SUPERSEDED BY 7-1437710-8

3 WAY MALE, NATURAL (WATERPROOF VERSION WITH RETAINER)	
ASSEMBLY	
T&B UNIVERSAL PART No	106055-N
TYCO PART No	8-1437710-2
T&B FORD PART No	NPIUA-N0R3XX
FORD PART No	△91AG-14A464-BCC
TYCO PART No	8-1437710-2

3 WAY MALE, NATURAL (WATERPROOF VERSION WITHOUT RETAINER)	
ASSEMBLY	
T&B UNIVERSAL PART No	106053-N
TYCO PART No	8-1437710-1
T&B FORD PART No	NPIUA-N003XX
FORD PART No	△99FG-14A464-ACB
TYCO PART No	8-1437710-1

3 WAY MALE, NATURAL (NON-WATERPROOF VERSION WITH RETAINER)	
ASSEMBLY	
T&B UNIVERSAL PART No	106056-N
TYCO PART No	8-1437710-3
T&B FORD PART No	NPIUA-NAR3XX
FORD PART No	△91AG-14489-BCC
TYCO PART No	8-1437710-3

3 WAY MALE, NATURAL (NON-WATERPROOF VERSION WITHOUT RETAINER)	
ASSEMBLY	
T&B UNIVERSAL PART No	106054-N
TYCO PART No	-
T&B FORD PART No	NPIUA-NA03XX
FORD PART No	△89FG-14489-ACB
TYCO PART No	-

3 WAY MALE, GREY (WATERPROOF VERSION WITHOUT RETAINER)	
ASSEMBLY	
T&B UNIVERSAL PART No	-
TYCO PART No	8-1437710-0
T&B FORD PART No	-
FORD PART No	-
TYCO PART No	8-1437710-0

△ IMPORTANT! ADD COLOUR AT ORDERS WITH FORD-PN's
 E.G. 91AG-14489-BCC NATURAL

DIMENSIONS:		TOLERANCES UNLESS OTHERWISE SPECIFIED:		DWG: W. PALMI 21FEB2006		Tyco Electronics AMP Italia S.p.A. C.so F.lli. Cerri 15, Collighe (to)	
REV:		DATE:		CHK: G. MARTINI 21FEB2006		NAME: 1.6mm SYSTEM	
1		0		APP: G. GENTILE 21FEB2006		4 WAYS CONNECTOR	
2		1		PRODUCT SPEC:		MALE	
3		1		108-20269		SIZE: CASE CODE (DRAWING NO):	
4		1		APPLICATION SPEC:		RESTRICTED TO:	
5		1		411-20111		-	
MATERIAL:		FINISH:		REIGHT: SEE SHEET 1		CUSTOMER DRAWING	
				SCALE: 5:1		SHEET 2 OF 2	