

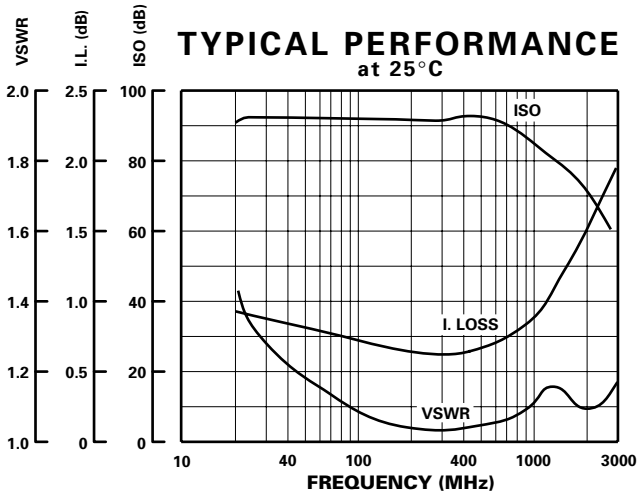
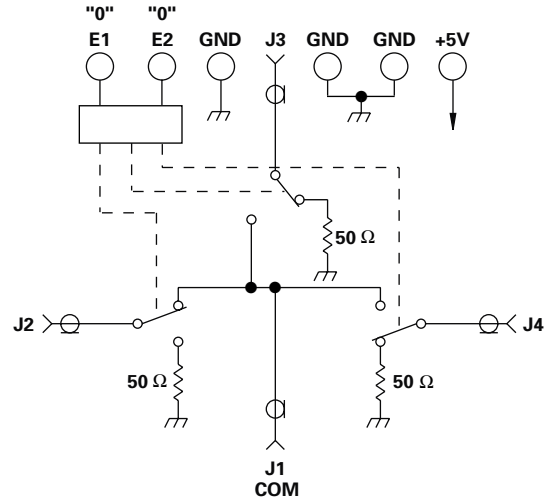
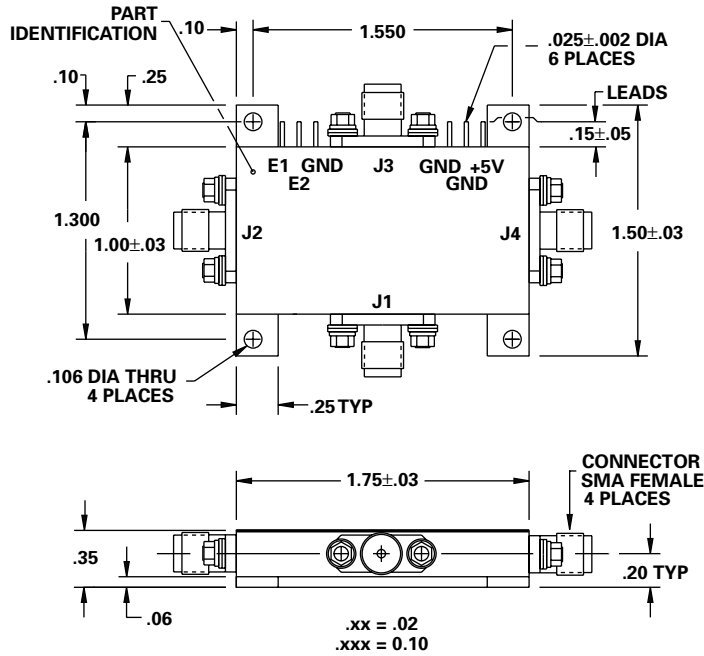
FEATURES

- 100 - 2000 MHz
- 80 dB Isolation
- 1 dB Insertion Loss
- TTL BCD Control
- Non-Reflective
- Replaceable SMA Connectors



**MODEL NO.
CDS0669**

PIN Diode SP3T



GUARANTEED PERFORMANCE

Parameter	Min	Typ	Max	Units	Conditions
Operating Frequency	100		2000	MHz	
DC Current		20	30	mA	At +5 VDC Supply
Control Type		TTL			2 Lines, See Logic Table
Control Current	High	1.0	20	μA	V _{IH} = +2.7V
	Low	-0.2	-0.4	mA	V _{IL} = +0.5V
Insertion Loss		0.7	1.0	dB	100 - 500 MHz
		1.0	1.5	dB	500 - 1000 MHz
		1.5	2.0	dB	1000 - 2000 MHz
Isolation		80	87	dB	100 - 1000 MHz
		65	75	dB	1000 - 2000 MHz
VSWR	Thru	1.11/1	1.35/1		
	Termination	1.18/1	1.35/1		
Impedance		50		OHMS	
Switching Speed		185	500	nSEC	50% TTL to 90% / 10% RF
Transition (Rise/Fall) Time		20		nSEC	90% / 10% or 10% / 90% RF
Switching (Video) Transients		650		mV	Peak Value
Intercept Points	2nd	+50	+67	dBm	350 MHz / 100 MHz
	3rd	+30	+41	dBm	175 MHz / 100 MHz
				dBm	
RF Power	Operate	+15	+10	dBm	100 - 500 MHz
		+25	+20	dBm	500 - 2000 MHz
	No Damage		+27	dBm	
Operating Temperature	-55	+25	+125	°C	TA

Control Logic		RF Path
E2	E1	J1 (Com) To
0	0	J2
0	1	J3
1	0	J4