

FEATURES

- **Direct interface to CL-PS7111 low-power microcontroller**
 - Custom multiplexed address/data bus for low pin count
 - Supports 13 and 18 MHz operating frequencies
- **Fully compatible with PCMCIA Rel. 2.01 specification**
- **One or two CL-PS6700s per system**
- **Low-power states**
 - Operating (25 mW, typical)
 - Idle
 - Standby (virtually zero power drain)
- **Support for PC Card hot insertion and removal**
- **Read and write buffers**
- **Support for 3.3- and 5-V PC Cards**
- **Endian conversion**
- **Supports the following PC Cards:**
 - Memory-only card; flash, EPROM, or SRAM
 - I/O card; modem and communications
 - Cards configured as both I/O and memory
 - DMA-capable cards (through software emulation)
- **100-pin VQFP package**

Low-Power PC Card Controller for the CL-PS7111

OVERVIEW

The CL-PS6700 connects directly to a PCMCIA Rel. 2.01 socket and has a custom interface to the CL-PS7111 microcontroller. The CL-PS7111 can support up to two CL-PS6700 devices, which allows up to two PC Card sockets per system. Addresses and data are passed to the CL-PS6700 through 16 bits of the 32-bit Data bus (D[15:0]).

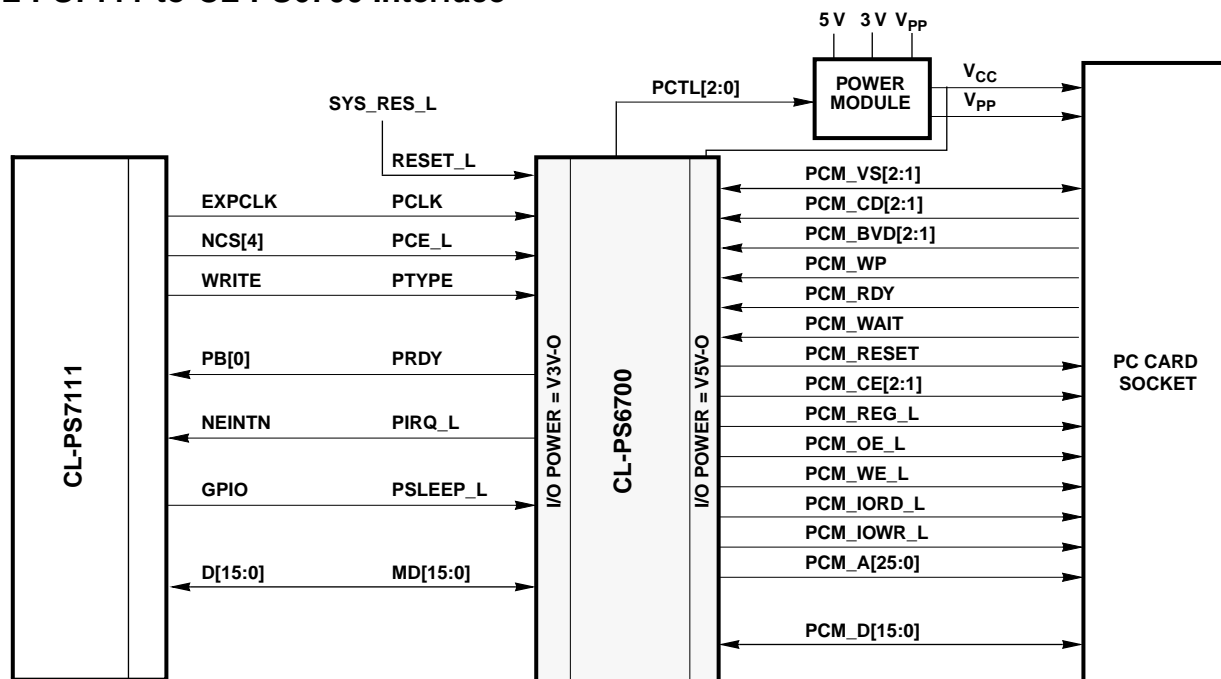
The PC Card socket is effectively isolated by the CL-PS6700. Except for power and ground pins, the pins on the socket only contact to the rest of the system through the CL-PS6700.

CL-PS7111-to-CL-PS6700 Interface

The PC Card interface requires a 26-bit address bus and a 16-bit data bus. The interface between the CL-PS6700 and CL-PS7111 consists of a 16-bit bus that carries the address and data information, and several control signals. This bus defines a two-clock address phase during which the 26-bit PC Card address and 6 control bits are transferred, and a one- or two-clock data phase during which 1 or 4 bytes of

(cont.)

CL-PS7111-to-CL-PS6700 Interface



OVERVIEW (cont.)

data are transferred. The data phase for reads can be deferred (for example, for a DMA access to the frame buffer of the CL-PS7111).

If a write transfer is indicated, write data appears in the third clock phase. If a word write is indicated, write data also appears in the fourth clock phase. For read transfers, the CL-PS6700 drives the bus with read data during the first one or two clocks of the data phase. This interface bus is also shared by other memory devices and up to one additional CL-PS6700 device.

The CL-PS7111 accesses the CL-PS6700 as a memory-mapped peripheral on the 16-bit memory bus. A Chip Enable signal (NCS4) from the CL-PS7111 selects one CL-PS6700 device for access to a particular PC Card socket. Another Chip Enable signal (NCS5) connects a second PC Card socket.

The CL-PS6700 implements the low-level interface to the PC Card socket and provides voltage translation for mixed-voltage systems. The CL-PS6700 also provides the data buffer and interrupt controls for the PC Card. Transfers between the two devices can be either 1 or 4 bytes.

The CL-PS6700 can be programmed to assemble/disassemble CL-PS7111 transfers to the width of the PC Card. The CL-PS6700 has read and write buffers that allow posting of both reads and writes. The read queue is single entry; the write FIFO can queue up to four CL-PS7110 transactions (up to 16 bytes).

Hot Insertion Support

The CL-PS6700 PC Card controller allows PC Cards to be inserted or removed while system power is on. The CL-PS7111 controller typically applies power to a PC Card socket after it has detected a properly inserted card. The device removes the power before the card is removed (that is, when the CPU detects that the card lock is deasserted). Since each card is isolated from the system by the associated CL-PS6700, insertion and removal of cards do not cause interference on the system buses.

Card Configuration and Access

After power-on or reset, a PC Card defaults to a memory-only card. The CL-PS7111 then reads the CIS of the card to determine the card type, access time, and so on, and configures the CL-PS6700 to access the card.

Each PC Card's V_{CC} and V_{PP} pins are individually controlled by its associated CL-PS6700. The CL-PS7111 controls the power to a card by writing to the CL-PS6700 registers. The CL-PS6700 ensures that its signals to the sockets are in the proper state before applying or removing power.

The CL-PS6700 device is available in a 100-pin VQFP package. The device can be used with both operating frequencies of the CL-PS7111 (13 and 18 MHz at 2.7 and 3.3 V).

Cirrus Logic Direct Sales Offices

Domestic	Houston, TX	HONG KONG
N. CALIFORNIA	TEL: 713/257-2525	Tsimshatsui
Fremont	FAX: 713/257-2555	TEL: 852/2376-0801
TEL: 510/623-8300	NORTHEASTERN AREA	FAX: 852/2375-1202
FAX: 510/252-6020	Andover, MA	ITALY
S. CALIFORNIA	TEL: 508/474-9300	Milan
Irvine	FAX: 508/474-9149	TEL: 39/2-3360-5458
TEL: 714/453-5961	SOUTHEASTERN AREA	FAX: 39/2-3360-5426
FAX: 714/453-5962	Duluth, GA	JAPAN
Westlake Village	TEL: 770/935-6110	Tokyo
TEL: 805/371-5860	FAX: 770/935-6112	TEL: 81/3-3340-9111
FAX: 805/371-5861	Raleigh, NC	FAX: 81/3-3340-9120
NORTHWESTERN AREA	TEL: 919/859-5210	KOREA
Portland, OR	FAX: 919/859-5334	Seoul
TEL: 503/620-5547	Boca Raton, FL	TEL: 82/2-565-8561
FAX: 503/620-5665	TEL: 407/241-2364	FAX: 82/2-565-8565
SOUTH CENTRAL AREA	FAX: 407/241-7990	SINGAPORE
Austin, TX	International	TEL: 65/743-4111
TEL: 512/255-0080	FRANCE	FAX: 65/742-4111
FAX: 512/255-0733	Paris	TAIWAN
Irving, TX	TEL: 33/1-48-12-2812	Taipei
TEL: 972/252-6698	FAX: 33/1-48-12-2810	TEL: 886/2-718-4533
FAX: 972/252-5681	GERMANY	FAX: 886/2-718-4526
	Herrsching	UNITED KINGDOM
	TEL: 49/81-52-40084	London, England
	FAX: 49/81-52-40077	TEL: 44/1727-872424
		FAX: 44/1727-875919

The Company

Headquartered in Fremont, California, Cirrus Logic is a leading manufacturer of advanced integrated circuits for desktop and portable computing, telecommunications, and consumer electronics. The Company applies its system-level expertise in analog and digital design to innovate highly integrated, software-rich solutions.

Cirrus Logic has developed a broad portfolio of products and technologies for applications spanning multimedia, graphics, communications, system logic, mass storage, and data acquisition.

The Cirrus Logic formula combines innovative architectures in silicon with system design expertise. We deliver complete solutions — chips, software, evaluation boards, and manufacturing kits — on-time, to help you win in the marketplace.

Cirrus Logic's manufacturing strategy ensures maximum product quality, availability, and value for our customers.

Talk to our systems and applications specialists; see how you can benefit from a new kind of semiconductor company.

Copyright © 1997 Cirrus Logic Inc. All rights reserved.

Preliminary product information describes products that are in production, but for which full characterization data is not yet available. Cirrus Logic Inc. has made best efforts to ensure that the information contained in this document is accurate and reliable. However, the information is subject to change without notice. No responsibility is assumed by Cirrus Logic Inc. for the use of this information, nor for infringements of patents or other rights of third parties. This document implies no license under patents, copyrights, or trade secrets. Cirrus Logic, AccuPak, DirectVPM, DIVA, FastPath, FasText, FeatureChips, FilterJet, Get into It, Good Data, Laguna, Laguna3D, MediaDAC, MotionVideo, RSA, SimuSCAN, S/LA, SMASH, SoftTarget, TextureJet, TVTap, UXART, Video Port Manager, VisualMedia, VPM, V-Port, WavePort, and WebSet are trademarks of Cirrus Logic Inc., which may be registered in some jurisdictions. Other trademarks in this document belong to their respective companies. CRUS and Cirrus Logic International, Ltd. are trade names of Cirrus Logic Inc.

Cirrus Logic Inc.

3100 West Warren Ave., Fremont, CA 94538

TEL: 510/623-8300 FAX: 510/252-6020

Publications Order Information: 800/359-6414 (USA) or 510/249-4200

World Wide Web: <http://www.cirrus.com>

456700-001