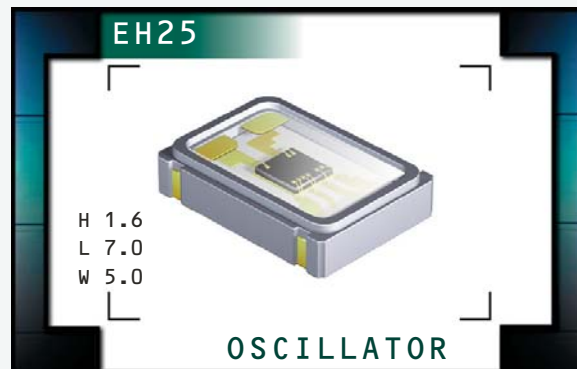


EH25 Series

- Pb-free ceramic SMD package
- 5.0V supply voltage
- HCMOS/TTL output
- Stability to 20ppm
- Available on tape and reel



www.DataSheet4U.com®
ECLIPTEK CORPORATION



ELECTRICAL SPECIFICATIONS

Frequency Range	1.000MHz to 155.520MHz		
Operating Temperature Range	0°C to 70°C or -40°C to 85°C		
Storage Temperature Range	-55°C to 125°C		
Supply Voltage (V_{DD})	5.0V _{DC} ±10%		
Input Current	50mA Maximum (Unloaded)		
Frequency Tolerance / Stability	Inclusive of all conditions: Calibration Tolerance at 25°C, Frequency Stability over the Operating Temperature Range, Supply Voltage Change, Output Load Change, First Year Aging at 25°C, Shock, and Vibration	±100ppm, ±50ppm, ±25ppm, or ±20ppm Maximum	
Output Voltage Logic High (V_{OH})	w/TTL Load	2.4V _{DC} Minimum	I _{OH} = -16mA
	w/HCMOS Load	V _{DD} -0.4V _{DC} Minimum	I _{OH} = -16mA
Output Voltage Logic Low (V_{OL})	w/TTL Load	0.4V _{DC} Maximum	I _{OL} = +16mA
	w/HCMOS Load	0.5V _{DC} Maximum	I _{OL} = +16mA
Duty Cycle (V_{DD}=5.0V_{DC})	at 1.4V _{DC} w/TTL Load; at 50% of waveform w/HCMOS Load (≤70.000MHz)	50 ±10(%) (Standard)	
	at 50% of waveform w/ TTL Load or w/HCMOS Load (>70.000MHz)	50 ±10(%) (Standard)	
	at 50% of waveform w/TTL Load or w/HCMOS Load	50 ±5(%) (Optional)	
Rise Time / Fall Time	0.8V _{DC} to 2.0V _{DC} w/TTL Load or 20% to 80% of Waveform w/HCMOS Load (≤70.000MHz)	6 nSeconds Maximum	
	0.8V _{DC} to 2.0V _{DC} w/TTL Load or 20% to 80% of Waveform w/HCMOS Load (>70.000MHz)	4 nSeconds Maximum	
Tri-State Input Voltage	V _{IH} :No Connection	Enables Output	
	V _{IH} :≥2.2V _{DC}	Enables Output	
	V _{IL} :≤0.8V _{DC}	Disables Output: High Impedance	
Aging (at 25°C)	±5ppm / year Maximum		
Start Up Time	10 mSeconds Maximum		
Load Drive Capability	≤70.000MHz	10TTL Load or 50pF HCMOS Load Maximum	
	>70.000MHz	5TTL Load or 15pF HCMOS Load Maximum	
Period Jitter: Absolute	±250pSec Maximum, ±100pSec Typical		
Period Jitter: One Sigma	±50pSec Maximum, ±30pSec Typical		

MANUFACTURER
ECLIPTEK CORP.

CATEGORY
OSCILLATOR

SERIES
EH25

PACKAGE
CERAMIC

VOLTAGE
5.0V

CLASS
OS48

REV. DATE
02/04

PART NUMBERING GUIDE

EH25 00 ET TS - 24.000M TR

FREQUENCY TOLERANCE / STABILITY
 00=±100ppm Maximum (Standard), 45=±50ppm Maximum,
 25=±25ppm Maximum, 20=±20ppm Maximum

OPERATING TEMP. RANGE
 Blank=0°C to 70°C, ET=-40°C to 85°C

DUTY CYCLE
 Blank=50±10%(%) (Standard), T=50±5(%)

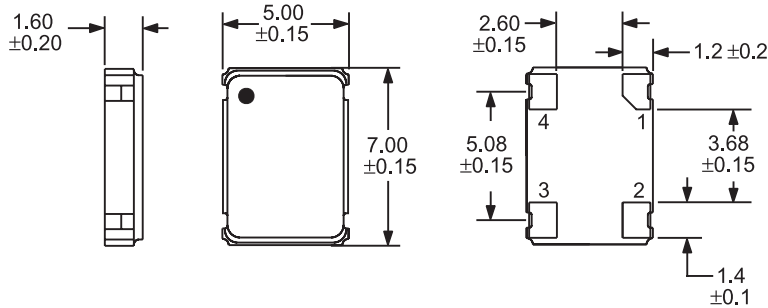
AVAILABLE OPTIONS
 Blank=Bulk (Standard)
 TR=Tape and Reel

FREQUENCY

OUTPUT CONTROL FUNCTION
 TS=Tri-State

MECHANICAL DIMENSIONS

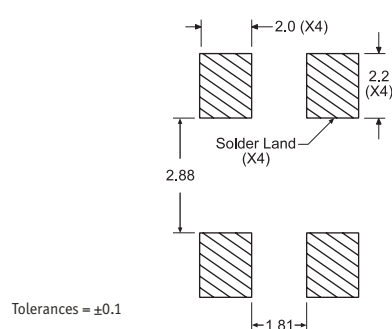
ALL DIMENSIONS IN MILLIMETERS



Pin 1: Tri-State
 Pin 2: Case Ground
 Pin 3: Output
 Pin 4: Supply Voltage

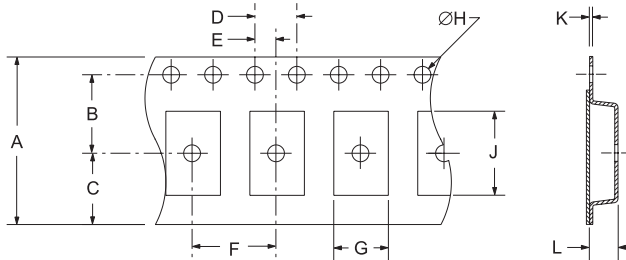
SUGGESTED SOLDER PAD LAYOUT

ALL DIMENSIONS IN MILLIMETERS

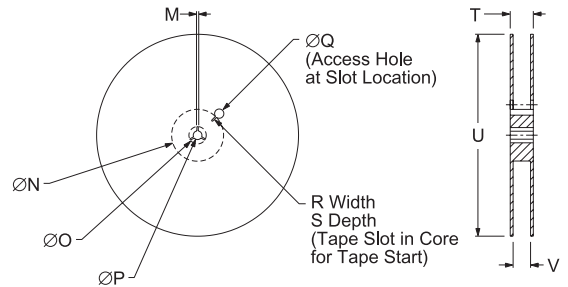


TAPE AND REEL DIMENSIONS

ALL DIMENSIONS IN MILLIMETERS



REEL	A	B	C	D	E
	16+3-1	7.5±.1	6.75±.1	4±.1	2±.1
F	G	H	J	K	L
8±.1	B0*	1.5+1-0	A0*	.3±.05	K0*



REEL	M	N	O	P	Q
	1.5 MIN	50 MIN	20.2 MIN	13±.2	40 MIN
R	S	T	U	V	QTY/REEL
2.5 MIN	10 MIN	22.4 MAX	360 MAX	16.4+2-0	1,000

*Compliant to EIA 481A

ENVIRONMENTAL/MECHANICAL SPECIFICATIONS

Characteristic	Specification
Fine Leak Test	MIL-STD-883, Method 1014, Condition A
Gross Leak Test	MIL-STD-883, Method 1014, Condition C
Mechanical Shock	MIL-STD-202, Method 213, Condition C
Vibration	MIL-STD-883, Method 2007, Condition A
Lead Integrity	MIL-STD-883, Method 2004
Solderability	MIL-STD-883, Method 2002
Temperature Cycling	MIL-STD-883, Method 1010
Resistance to Soldering Heat	MIL-STD-883, Method 210
Resistance to Solvents	MIL-STD-883, Method 215

MARKING SPECIFICATIONS

Line 1: ECLIPTEK
 Line 2: XX.XXX M
 Frequency in MHz (5 Digits Maximum + Decimal)
 Line 3: P XX Y ZZ
 Week of Year
 Last Digit of Year
 Ecliptek Manufacturing Identifier
 Configuration Designator

MANUFACTURER	CATEGORY	SERIES	PACKAGE	VOLTAGE	CLASS	REV. DATE
ECLIPTEK CORP.	OSCILLATOR	EH25	CERAMIC	5.0V	OS48	02/04