

Features

- Integrated Single-Chip 10/100 Mbps Ethernet Switch
- 24 10/100 Mbps Autosensing, Fast Ethernet Ports with RMIi or Serial Interface (7WS). Each port can independently use one of the two interfaces
- Serial interface
- Supports one Frame Buffer Memory domain with SRAM at 100 MHz
- Supports SRAM domain memory size 1 MB or 2 MB
- Applies centralized shared memory architecture
- Up to 64 K MAC addresses
- Maximum throughput is 2.4 Gbps non-blocking
- High performance packet forwarding (7.143 M packets per second) at full wire speed
- Full Duplex Ethernet IEEE 802.3x Flow Control
- Backpressure flow control for Half Duplex ports
- Supports Ethernet multicasting and broadcasting and flooding control
- Supports per-system option to enable flow control for best effort frames even on QoS-enabled ports
- Load sharing among trunked ports can be based on source MAC and/or destination MAC

Ordering Information

MVTX2601AG 553 Pin HSBGA

-40°C to 85°C

- Port Mirroring to a dedicated mirroring port or port 23 in unmanaged mode
- Full set of LED signals provided by a serial interface
- 2 port trunking groups with up to 4 10/100 ports per group
- Built-In Self Test for internal and external SRAM
- Traffic Classification
 - 4 transmission priorities for Fast Ethernet ports with 2 dropping levels
 - Classification based on:
 - Port based priority
 - VLAN Priority field in VLAN tagged frame
 - DS/TOS field in IP packet
 - UDP/TCP logical ports: 8 hard-wired and 8 programmable ports, including one programmable range
 - The precedence of the above classifications is programmable

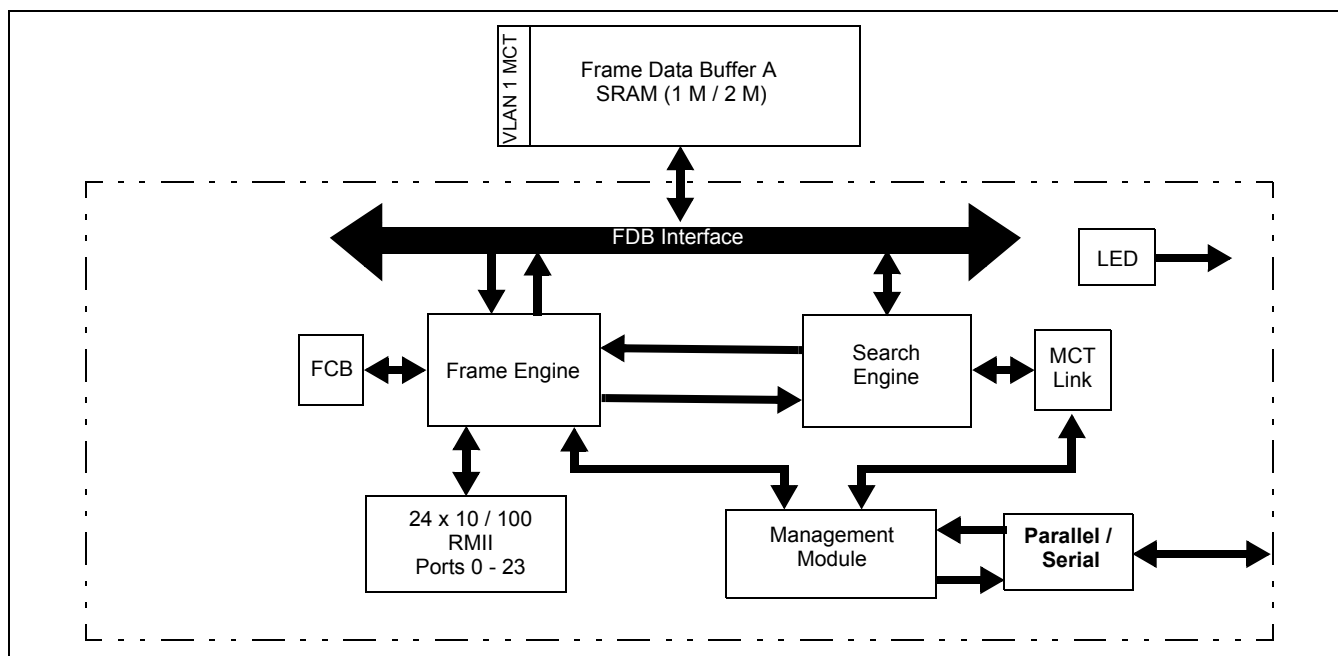


Figure 1 - MVTX2601 System Block Diagram

- QoS Support
- Supports IEEE 802.1p/Q Quality of Service with 4 transmission priority queues with delay bounded, strict priority, and WFQ service disciplines
 - Provides 2 levels of dropping precedence with WRED mechanism
 - User controls the WRED thresholds
 - Buffer management: per class and per port buffer reservations
 - Port-based priority: VLAN priority in a tagged frame can be overwritten by the priority of Port VLAN ID
- Hardware auto-negotiation through serial management interface (MDIO) for Ethernet ports
- Built-in reset logic triggered by system malfunction
- I²C EEPROM for configuration

Description

The MVTX2601 is a high density, low cost, high performance, non-blocking Ethernet switch chip. A single chip provides 24 ports at 10/100 Mbps, and a CPU interface for managed and unmanaged switch applications.

The chip supports up to 64 K MAC addresses. The centralized shared memory architecture permits a very high performance packet forwarding rate at up to 3.57 M packets per second at full wire speed. The chip is optimized to provide low-cost, high-performance workgroup switching.

The Frame Buffer Memory domains utilize cost-effective, high-performance synchronous SRAM with aggregate bandwidth of 6.4 Gbps to support full wire speed on all ports simultaneously.

With delay bounded, strict priority, and/or WFQ transmission scheduling, and WRED dropping schemes, the MVTX2601 provides powerful QoS functions for various multimedia and mission-critical applications. The chip provides 4 transmission priorities and two levels of dropping precedence. Each packet is assigned a transmission priority and dropping precedence based on the VLAN priority field in a VLAN tagged frame, or the DS/TOS field, or the UDP/TCP logical port fields in IP packets. The MVTX2601 recognizes a total of 16 UDP/TCP logical ports, 8 hard-wired and 8 programmable (including one programmable range).

The MVTX2601 supports two groups of port trunking/load sharing. Each 10/100 group can contain up to 4 ports. Port trunking/load sharing can be used to group ports between interlinked switches to increase the effective network bandwidth.

In half-duplex mode, all ports support backpressure flow control to minimize the risk of losing data during long activity bursts. In full-duplex mode IEEE 802.3x flow control is provided. The MVTX2601 also supports a per-system option to enable flow control for best effort frames, even on QoS-enabled ports.

The MVTX2601 is fabricated using 0.25 micron technology. Inputs, however, are 3.3 V tolerant, and the outputs are capable of directly interfacing to LVTTTL levels. The MVTX2601 is packaged in a 553-pin Ball Grid Array package.

Table of Contents

| | |
|------------------------------------------------|-----------|
| 1.0 Block Functionality | 9 |
| 1.1 Frame Data Buffer (FDB) Interfaces | 9 |
| 1.2 10/100 MAC Module (RMAC) | 9 |
| 1.3 Configuration Interface Module | 9 |
| 1.4 Frame Engine | 9 |
| 1.5 Search Engine | 9 |
| 1.6 LED Interface | 9 |
| 1.7 Internal Memory | 9 |
| 2.0 System Configuration | 10 |
| 2.1 Configuration Mode | 10 |
| 2.2 I ² C Interface | 10 |
| 2.2.1 Start Condition | 10 |
| 2.2.2 Address | 10 |
| 2.2.3 Data Direction | 10 |
| 2.2.4 Acknowledgment | 10 |
| 2.2.5 Data | 10 |
| 2.2.6 Stop Condition | 11 |
| 2.3 Synchronous Serial Interface | 11 |
| 2.3.1 Write Command | 11 |
| 2.3.2 Read Command | 12 |
| 3.0 MVTX2601 Data Forwarding Protocol | 12 |
| 3.1 Unicast Data Frame Forwarding | 12 |
| 3.2 Multicast Data Frame Forwarding | 13 |
| 4.0 Memory Interface | 13 |
| 4.1 Overview | 13 |
| 4.2 Detailed Memory Information | 13 |
| 4.3 Memory Requirements | 13 |
| 5.0 Search Engine | 14 |
| 5.1 Search Engine Overview | 14 |
| 5.2 Basic Flow | 14 |
| 5.3 Search, Learning and Aging | 15 |
| 5.3.1 MAC Search | 15 |
| 5.3.2 Learning | 15 |
| 5.3.3 Aging | 15 |
| 5.4 Quality of Service | 15 |
| 5.5 Priority Classification Rule | 16 |
| 5.6 Port Based VLAN | 17 |
| 5.7 Memory Configurations | 17 |
| 6.0 Frame Engine | 20 |
| 6.1 Data Forwarding Summary | 20 |
| 6.2 Frame Engine Details | 21 |
| 6.2.1 FCB Manager | 21 |
| 6.2.2 Rx Interface | 21 |
| 6.2.3 RxDMA | 21 |
| 6.2.4 TxQ Manager | 21 |
| 6.3 Port Control | 21 |
| 6.4 TxDMA | 21 |
| 7.0 Quality of Service and Flow Control | 21 |
| 7.1 Model | 21 |
| 7.2 Four QoS Configurations | 23 |
| 7.3 Delay Bound | 23 |

Table of Contents

| | |
|-----------------------------------------------------|-----------|
| 7.4 Strict Priority and Best Effort | 24 |
| 7.5 Weighted Fair Queuing | 24 |
| 7.6 WRED Drop Threshold Management Support | 24 |
| 7.7 Buffer Management | 25 |
| 7.7.1 Dropping When Buffers Are Scarce | 26 |
| 7.8 MVTX2601 Flow Control Basics | 26 |
| 7.8.1 Unicast Flow Control | 27 |
| 7.8.2 Multicast Flow Control | 27 |
| 7.9 Mapping to IETF Diffserv Classes | 27 |
| 8.0 Port Trunking | 28 |
| 8.1 Features and Restrictions | 28 |
| 8.2 Unicast Packet Forwarding | 28 |
| 8.3 Multicast Packet Forwarding | 28 |
| 8.4 Trunking | 29 |
| 9.0 Port Mirroring | 29 |
| 9.1 Port Mirroring Features | 29 |
| 9.2 Setting Registers for Port Mirroring | 29 |
| 10.0 GPSI (7WS) Interface | 30 |
| 10.1 GPSI connection | 30 |
| 10.2 SCAN LINK and SCAN COL interface | 31 |
| 11.0 LED Interface | 31 |
| 11.1 LED Interface Introduction | 31 |
| 11.2 Port Status | 31 |
| 11.3 LED Interface Timing Diagram | 32 |
| 12.0 Register Definition | 33 |
| 12.1 MVTX2601 Register Description | 33 |
| 12.2 Group 0 Address MAC Ports Group | 36 |
| 12.2.1 ECR1Pn: Port N Control Register | 36 |
| 12.2.2 ECR2Pn: Port N Control Register | 37 |
| 12.3 Group 1 Address VLAN Group | 38 |
| 12.3.1 AVTCL – VLAN Type Code Register Low | 38 |
| 12.3.2 AVTCH – VLAN Type Code Register High | 38 |
| 12.3.3 PVMAP00_0 – Port 00 Configuration Register 0 | 38 |
| 12.3.4 PVMAP00_1 – Port 00 Configuration Register 1 | 38 |
| 12.3.5 PVMAP00_2 – Port 00 Configuration Register 2 | 39 |
| 12.3.6 PVMAP00_3 – Port 00 Configuration Register 3 | 39 |
| 12.4 Port Configuration Register | 39 |
| 12.4.1 PVMODE | 40 |
| 12.5 Group 2 Address Port Trunking Group | 40 |
| 12.5.1 TRUNK0_MODE– Trunk group 0 mode | 40 |
| 12.5.2 TRUNK1_MODE – Trunk group 1 mode | 41 |
| 12.6 Group 4 Address Search Engine Group | 41 |
| 12.6.1 TX_AGE – Tx Queue Aging timer | 41 |
| 12.6.2 AGETIME_LOW – MAC address aging time Low | 41 |
| 12.6.3 AGETIME_HIGH –MAC address aging time High | 42 |
| 12.6.4 SE_OPMODE – Search Engine Operation Mode | 42 |
| 12.7 Group 5 Address Buffer Control/QOS Group | 43 |
| 12.7.1 FCBAT – FCB Aging Timer | 43 |
| 12.7.2 QOSC – QOS Control | 43 |
| 12.7.3 FCR – Flooding Control Register | 43 |
| 12.7.4 AVPML – VLAN Priority Map | 44 |

Table of Contents

| | |
|-----------------------------------------------------------------------------------|----|
| 12.7.5 AVPMM – VLAN Priority Map | 45 |
| 12.7.6 AVPMH – VLAN Priority Map | 45 |
| 12.7.7 TOSPML – TOS Priority Map | 45 |
| 12.7.8 TOSPMM – TOS Priority Map | 46 |
| 12.7.9 TOSPMH – TOS Priority Map | 46 |
| 12.7.10 AVDM – VLAN Discard Map | 46 |
| 12.7.11 TOSDML – TOS Discard Map | 47 |
| 12.7.12 BMRC - Broadcast/Multicast Rate Control | 47 |
| 12.7.13 UCC – Unicast Congestion Control | 48 |
| 12.7.14 MCC – Multicast Congestion Control | 48 |
| 12.7.15 PR100 – Port Reservation for 10/100 ports | 48 |
| 12.7.16 SFCB – Share FCB Size | 49 |
| 12.7.17 C2RS – Class 2 Reserve Size | 49 |
| 12.7.18 C3RS – Class 3 Reserve Size | 49 |
| 12.7.19 C4RS – Class 4 Reserve Size | 49 |
| 12.7.20 C5RS – Class 5 Reserve Size | 50 |
| 12.7.21 C6RS – Class 6 Reserve Size | 50 |
| 12.7.22 C7RS – Class 7 Reserve Size | 50 |
| 12.7.23 Classes Byte Limit Set 0 | 50 |
| 12.7.24 Classes Byte Limit Set 1 | 51 |
| 12.7.25 Classes Byte Limit Set 2 | 51 |
| 12.7.26 Classes Byte Limit Set 3 | 51 |
| 12.7.27 Classes WFQ Credit Set 0 | 51 |
| 12.7.28 Classes WFQ Credit Set 1 | 52 |
| 12.7.29 Classes WFQ Credit Set 2 | 52 |
| 12.7.30 Classes WFQ Credit Set 3 | 52 |
| 12.7.31 RDRC0 – WRED Rate Control 0 | 53 |
| 12.7.32 RDRC1 – WRED Rate Control 1 | 53 |
| 12.7.33 User Defined Logical Ports and Well Known Ports | 53 |
| 12.7.33.1 USER_PORT0_(0~7) – User Define Logical Port (0~7) | 54 |
| 12.7.33.2 USER_PORT_[1:0]_PRIORITY - User Define Logic Port 1 and 0 Priority | 54 |
| 12.7.33.3 USER_PORT_[3:2]_PRIORITY - User Define Logic Port 3 and 2 Priority | 55 |
| 12.7.33.4 USER_PORT_[5:4]_PRIORITY - User Define Logic Port 5 and 4 Priority | 55 |
| 12.7.33.5 USER_PORT_[7:6]_PRIORITY - User Define Logic Port 7 and 6 Priority | 55 |
| 12.7.33.6 USER_PORT_ENABLE [7:0] – User Define Logic 7 to 0 Port Enables | 55 |
| 12.7.33.7 WELL_KNOWN_PORT [1:0] PRIORITY- Well Known Logic Port 1 and 0 Priority | 55 |
| 12.7.33.8 WELL_KNOWN_PORT [3:2] PRIORITY- Well Known Logic Port 3 and 2 Priority | 56 |
| 12.7.33.9 WELL_KNOWN_PORT [5:4] PRIORITY- Well Known Logic Port 5 and 4 Priority | 56 |
| 12.7.33.10 WELL_KNOWN_PORT [7:6] PRIORITY- Well Known Logic Port 7 and 6 Priority | 56 |
| 12.7.33.11 WELL_KNOWN_PORT_ENABLE [7:0] – Well Known Logic 7 to 0 Port Enables | 56 |
| 12.7.33.12 RLOWL – User Define Range Low Bit 7:0 | 57 |
| 12.7.33.13 RLOWH – User Define Range Low Bit 15:8 | 57 |
| 12.7.33.14 RHIGHL – User Define Range High Bit 7:0 | 57 |
| 12.7.33.15 RHIGHH – User Define Range High Bit 15:8 | 57 |
| 12.7.33.16 RPRIORITY – User Define Range Priority | 57 |
| 12.8 Group 6 Address MISC Group | 57 |
| 12.8.1 MII_OP0 – MII Register Option 0 | 57 |
| 12.8.2 MII_OP1 – MII Register Option 1 | 58 |
| 12.8.3 FEN – Feature Register | 58 |
| 12.8.4 MIIC0 – MII Command Register 0 | 59 |
| 12.8.5 MIIC1 – MII Command Register 1 | 59 |
| 12.8.6 MIIC2 – MII Command Register 2 | 59 |

Table of Contents

| | |
|--------------------------------------------------|-----------|
| 12.8.7 MIIC3 – MII Command Register 3 | 59 |
| 12.8.8 MIID0 – MII Data Register 0 | 60 |
| 12.8.9 MIID1 – MII Data Register 1 | 60 |
| 12.8.10 LED Mode – LED Control | 60 |
| 12.8.11 CHECKSUM - EEPROM Checksum | 60 |
| 12.9 Group 7 Address Port Mirroring Group | 61 |
| 12.9.1 MIRROR1_SRC – Port Mirror source port | 61 |
| 12.9.2 MIRROR1_DEST – Port Mirror destination | 61 |
| 12.9.3 MIRROR2_SRC – Port Mirror source port | 61 |
| 12.9.4 MIRROR2_DEST – Port Mirror destination | 62 |
| 12.10 Group F Address CPU Access Group | 62 |
| 12.10.1 GCR-Global Control Register | 62 |
| 12.10.2 DCR-Device Status and Signature Register | 63 |
| 12.10.3 DCR1-Chip status | 63 |
| 12.10.4 DPST – Device Port Status Register | 64 |
| 12.10.5 DTST – Data read back register | 65 |
| 12.10.6 PLLCR - PLL Control Register | 65 |
| 12.10.7 LCLK - LA_CLK delay from internal OE_CLK | 65 |
| 12.10.8 OECLK - Internal OE_CLK delay from SCLK | 66 |
| 12.10.9 DA – DA Register | 66 |
| 13.0 BGA and Ball Signal Descriptions | 67 |
| 13.1 BGA Views (Top-View) | 67 |
| 13.1.1 Encapsulated View | 67 |
| 13.2 Ball – Signal Descriptions | 68 |
| 13.2.1 Ball Signal Descriptions | 68 |
| 13.3 Ball – Signal Name | 76 |
| 13.4 AC/DC Timing | 81 |
| 13.4.1 Absolute Maximum Ratings | 81 |
| 13.4.2 DC Electrical Characteristics | 81 |
| 13.4.3 Recommended Operating Conditions | 82 |
| 13.4.4 Typical Reset & Bootstrap Timing Diagram | 82 |
| 13.5 Local Frame Buffer SDRAM Memory Interface | 83 |
| 13.5.1 Local SDRAM Memory Interface | 83 |
| 13.6 AC Characteristics | 84 |
| 13.6.1 Reduced Media Independent Interface | 84 |
| 13.6.2 LED Interface | 85 |
| 13.6.3 SCANLINK SCANCOL Output Delay Timing | 85 |
| 13.6.4 MDIO Input Setup and Hold Timing | 87 |
| 13.6.5 I ² C Input Setup Timing | 88 |
| 13.6.6 Serial Interface Setup Timing | 89 |

List of Figures

| | |
|-------------------------------------------------------------------------------------------|----|
| Figure 1 - MVTX260 1 System Block Diagram | 1 |
| Figure 2 - Data Transfer Format for I2C Interface | 10 |
| Figure 3 - MVTX2601 SRAM Interface Block Diagram (DMAs for 10/1000 Ports Only) | 13 |
| Figure 4 - Memory Map | 14 |
| Figure 5 - Priority Classification Rule | 16 |
| Figure 6 - Memory Configuration for 1 Bank, 1 Layer, 1 MB Total | 18 |
| Figure 7 - Memory Configuration for 1 Bank, 2 Layers, 2 MB Total | 19 |
| Figure 8 - Memory Configuration for 1 Bank, 1 Layer, 2 MB | 20 |
| Figure 9 - Buffer Partition Scheme Used to Implement MVTX2601 Buffer Management | 26 |
| Figure 10 - GPSI (7WS) Mode Connection Diagram | 30 |
| Figure 11 - SCAN LINK and SCAN COLLISON Status Diagram | 31 |
| Figure 12 - Timing Diagram of LED Interface | 32 |
| Figure 13 - Typical Reset & Bootstrap Timing Diagram | 82 |
| Figure 14 - Local Memory Interface – Input Setup and Hold Timing | 83 |
| Figure 15 - Local Memory Interface - Output Valid Delay Timing | 83 |
| Figure 16 - AC Characteristics – Reduced Media Independent Interface | 84 |
| Figure 17 - AC Characteristics – Reduced Media Independent Interface | 85 |
| Figure 18 - AC Characteristics – LED Interface | 85 |
| Figure 19 - SCANLINK SCANCOL Output Delay Timing | 85 |
| Figure 20 - SCANLINK, SCANCOL Setup Timing | 86 |
| Figure 21 - MDIO Input Setup and Hold Timing | 87 |
| Figure 22 - MDIO Output Delay Timing | 87 |
| Figure 23 - I ² C Input Setup Timing | 88 |
| Figure 24 - I ² C Output Delay Timing | 88 |
| Figure 25 - Serial Interface Setup Timing | 89 |
| Figure 26 - Serial Interface Output Delay Timing | 89 |

List of Tables

| | |
|-----------------------------------------------------------------------------------------|----|
| Table 1 - Memory Configuration | 14 |
| Table 2 - PVMAP Register | 17 |
| Table 3 - Supported Memory Configurations (SBRAM Mode) | 17 |
| Table 4 - Options for Memory Configuration | 18 |
| Table 5 - Two Dimensional World Traffic | 22 |
| Table 6 - Four QoS Configurations for a 10/100Mbps Port | 23 |
| Table 7 - WRED Drop Thresholds | 24 |
| Table 8 - Mapping between MVTX2601 and IETF Diffserv Classes for 10/100 Ports | 27 |
| Table 9 - MVTX2601 Features Enabling IETF Diffserv Standards | 28 |
| Table 10 - Reset & Bootstrap Timing | 83 |
| Table 11 - AC Characteristics – Reduced Media Independent Interface | 84 |
| Table 12 - AC Characteristics – LED Interface | 85 |
| Table 13 - SCANLINK, SCANCOL Timing | 86 |
| Table 14 - MDIO Timing | 87 |
| Table 15 - I2C Timing | 88 |
| Table 16 - Serial Interface Timing | 89 |

1.0 Block Functionality

1.1 Frame Data Buffer (FDB) Interfaces

The FDB interface supports pipelined synchronous burst SRAM (SBRAM) memory at 100 MHz. To ensure a non-blocking switch, one memory domain with a 64 bit wide memory bus is required. At 100 MHz, the aggregate memory bandwidth is 6.4 Gbps, which is enough to support 24 10/100 Mbps.

The Switching Database is also located in the external SBRAM; it is used for storing MAC addresses and their physical port number.

1.2 10/100 MAC Module (RMAC)

The 10/100 Media Access Control module provides the necessary buffers and control interface between the Frame Engine (FE) and the external physical device (PHY). The MVTX2601 has two interfaces, RMII or Serial (only for 10 M). The 10/100 MAC of the MVTX2601 device meets the IEEE 802.3 specification. It is able to operate in either Half or Full Duplex mode with a back pressure/flow control mechanism. In addition, it will automatically retransmit upon collision for up to 16 total transmissions. The PHY addresses for 24 10/100 MAC are from 08h to 1Fh.

1.3 Configuration Interface Module

The MVTX2601 supports a serial and an I²C interface, which provides an easy way to configure the system. Once configured, the resulting configuration can be stored in an I²C EEPROM.

1.4 Frame Engine

The main function of the frame engine is to forward a frame to its proper destination port or ports. When a frame arrives, the frame engine parses the frame header (64 bytes) and formulates a switching request, sent to the search engine to resolve the destination port. The arriving frame is moved to the FDB. After receiving a switch response from the search engine, the frame engine performs transmission scheduling based on the frame's priority. The frame engine forwards the frame to the MAC module when the frame is ready to be sent.

1.5 Search Engine

The Search Engine resolves the frame's destination port or ports according to the destination MAC address (L2). It also performs MAC learning, priority assignment and trunking functions.

1.6 LED Interface

The LED interface provides a serial interface for carrying 24 port status signals.

1.7 Internal Memory

Several internal tables are required and are described as follows:

- Frame Control Block (FCB) - Each FCB entry contains the control information of the associated frame stored in the FDB, e.g., frame size, read/write pointer, transmission priority, etc.
- MCT Link Table - The MCT Link Table stores the linked list of MCT entries that have collisions in the external MAC Table. The external MAC table is located in the FDB Memory.

Note: the external MAC table is located in the external SBRAM Memory.

2.0 System Configuration

2.1 Configuration Mode

The MVTX2601 can be configured by EEPROM (24C02 or compatible) via an I²C interface at boot time or via a synchronous serial interface during operation.

2.2 I²C Interface

The I²C interface uses two bus lines, a serial data line (SDA) and a serial clock line (SCL). The SCL line carries the control signals that facilitate the transfer of information from EEPROM to the switch. Data transfer is 8-bit serial and bidirectional, at 50 Kbps. Data transfer is performed between master and slave IC using a request / acknowledgment style of protocol. The master IC generates the timing signals and terminates data transfer. Figure 2 depicts the data transfer format.

| | | | | | | | | | | |
|-------|---------------|-----|-----|-----------------|-----|--------|-----|--------|-----|------|
| START | SLAVE ADDRESS | R/W | ACK | DATA 1 (8 bits) | ACK | DATA 2 | ACK | DATA M | ACK | STOP |
|-------|---------------|-----|-----|-----------------|-----|--------|-----|--------|-----|------|

Figure 2 - Data Transfer Format for I²C Interface

2.2.1 Start Condition

Generated by the master (in our case, the MVTX2601). The bus is considered to be busy after the Start condition is generated. The Start condition occurs if while the SCL line is High, there is a High-to-Low transition of the SDA line.

Other than in the Start condition (and Stop condition), the data on the SDA line must be stable during the High period of SCL. The High or Low state of SDA can only change when SCL is Low. In addition, when the I²C bus is free, both lines are High.

2.2.2 Address

The first byte after the Start condition determines which slave the master will select. The slave in our case is the EEPROM. The first seven bits of the first data byte make up the slave address.

2.2.3 Data Direction

The eighth bit in the first byte after the Start condition determines the direction (R/W) of the message. A master transmitter sets this bit to W; a master receiver sets this bit to R.

2.2.4 Acknowledgment

Like all clock pulses, the acknowledgment-related clock pulse is generated by the master. However, the transmitter releases the SDA line (High) during the acknowledgment clock pulse. Furthermore, the receiver must pull down the SDA line during the acknowledge pulse so that it remains stable Low during the High period of this clock pulse. An acknowledgment pulse follows every byte transfer.

If a slave receiver does not acknowledge after any byte, then the master generates a Stop condition and aborts the transfer.

If a master receiver does not acknowledge after any byte, then the slave transmitter must release the SDA line to let the master generate the Stop condition.

2.2.5 Data

After the first byte containing the address, all bytes that follow are data bytes. Each byte must be followed by an acknowledge bit. Data is transferred MSB first.

2.2.6 Stop Condition

Generated by the master. The bus is considered to be free after the Stop condition is generated. The Stop condition occurs if while the SCL line is High, there is a Low-to-High transition of the SDA line.

The I²C interface serves the function of configuring the MVTX2601 at boot time. The master is the MVTX2601 and the slave is the EEPROM memory.

2.3 Synchronous Serial Interface

The synchronous serial interface serves the function of configuring the MVTX2601 *not* at boot time but via a PC. The PC serves as master and the MVTX2601 serves as slave. The protocol for the synchronous serial interface is nearly identical to the I²C protocol. The main difference is that there is no acknowledgment bit after each byte of data transferred.

The unmanaged MVTX2601 uses a synchronous serial interface to program the internal registers. To reduce the number of signals required, the register address, command and data are shifted in serially through the D0 pin. STROBE- pin is used as the shift clock. AUTOFD- pin is used as data return path.

Each command consists of four parts.

START pulse

Register Address

Read or Write command

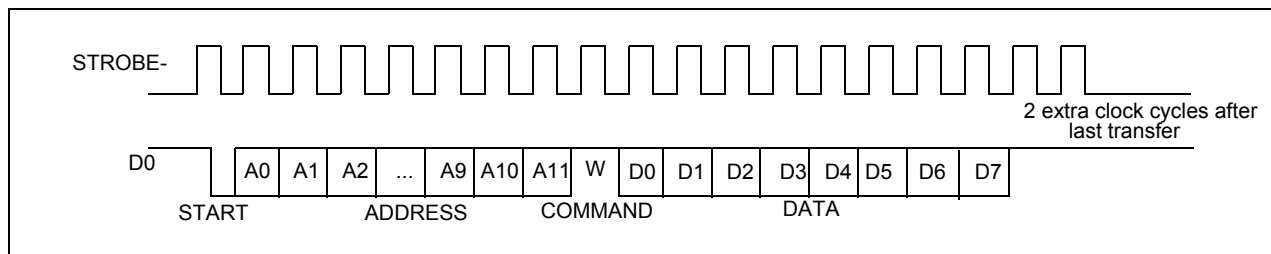
Data to be written or read back

Any command can be aborted in the middle by sending a ABORT pulse to the MVTX2601.

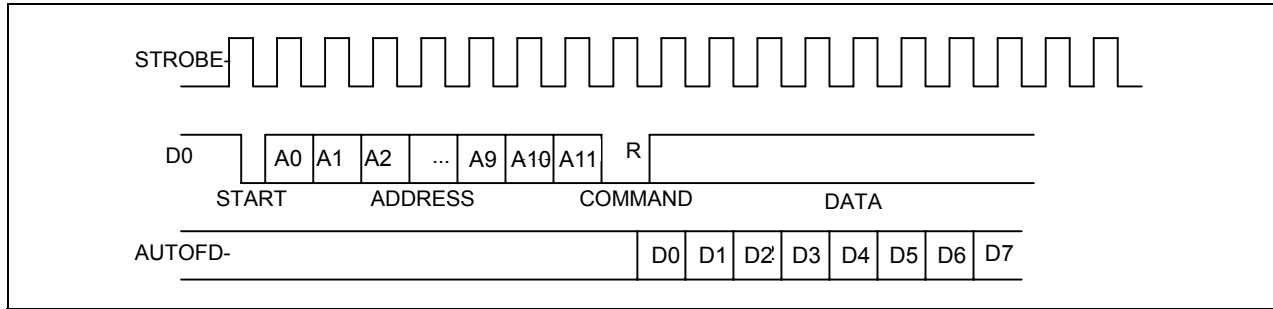
A START command is detected when D0 is sampled high when STROBE- rise and D0 is sampled low when STROBE- fall.

An ABORT command is detected when D0 is sampled low when STROBE- rise and D0 is sampled high when STROBE- fall.

2.3.1 Write Command



2.3.2 Read Command



All registers in MVTX2601 can be modified through this synchronous serial interface.

3.0 MVTX2601 Data Forwarding Protocol

3.1 Unicast Data Frame Forwarding

When a frame arrives, it is assigned a handle in memory by the Frame Control Buffer Manager (FCB Manager). An FCB handle will always be available because of advance buffer reservations.

The memory (SRAM) interface consists of a 64-bit bus connected to SRAM bank. The Receive DMA (RxDMA) is responsible for multiplexing the data and the address. On a port's "turn," the RxDMA will move 8 bytes (or up to the end-of-frame) from the port's associated Rx FIFO into memory (Frame Data Buffer, or FDB).

Once an entire frame has been moved to the FDB and a good end-of-frame (EOF) has been received, the Rx interface makes a switch request. The RxDMA arbitrates among multiple switch requests.

The switch request consists of the first 64 bytes of a frame, containing among other things, the source and destination MAC addresses of the frame. The search engine places a switch response in the switch response queue of the frame engine when done. Among other information, the search engine will have resolved the destination port of the frame and will have determined that the frame is unicast.

After processing the switch response, the Transmission Queue Manager (TxQ manager) of the frame engine is responsible for notifying the destination port that it has a frame to forward to it. But first, the TxQ manager has to decide whether or not to drop the frame, based on global FDB reservations and usage, as well as TxQ occupancy at the destination. If the frame is not dropped, then the TxQ manager links the frame's FCB to the correct per-port-per-class TxQ. Unicast TxQ's are linked lists of transmission jobs, represented by their associated frames' FCB's. There is one linked list for each transmission class for each port. There are 4 transmission classes for each of the 24 10/ 100 ports

The TxQ manager is responsible for scheduling transmission among the queues representing different classes for a port. When the port control module determines that there is room in the MAC Transmission FIFO (Tx FIFO) for another frame, it requests the handle of a new frame from the TxQ manager. The TxQ manager chooses among the head-of-line (HOL) frames from the per-class queues for that port, using a Zarlink Semiconductor scheduling algorithm.

The Transmission DMA (Tx DMA) is responsible for multiplexing the data and the address. On a port's turn, the Tx DMA will move 8 bytes (or up to the EOF) from memory into the port's associated Tx FIFO. After reading the EOF, the port control requests a FCB release for that frame. The Tx DMA arbitrates among multiple buffer release requests.

The frame is transmitted from the Tx FIFO to the line.

3.2 Multicast Data Frame Forwarding

After receiving the switch response, the TxQ manager has to make the dropping decision. A global decision to drop can be made, based on global FDB utilization and reservations. If so, then the FCB is released and the frame is dropped. In addition, a selective decision to drop can be made, based on the TxQ occupancy at some subset of the multicast packet's destinations. If so, then the frame is dropped at some destinations but not others and the FCB is not released.

If the frame is not dropped at a particular destination port, then the TxQ manager formats an entry in the multicast queue for that port and class. Multicast queues are physical queues (unlike the linked lists for unicast frames). There are 2 multicast queues for each of the 24 10/100 ports. The queue with higher priority has room for 32 entries and the queue with lower priority has room for 64 entries. There is one multicast queue for every two priority classes. For the 10/100 ports to map the 8 transmit priorities into 2 multicast queues, the 2 LSB are discarded.

During scheduling, the TxQ manager treats the unicast queue and the multicast queue of the same class as one logical queue. The older head of line of the two queues is forwarded first.

The port control requests a FCB release only after the EOF for the multicast frame has been read by all ports to which the frame is destined.

4.0 Memory Interface

4.1 Overview

The MVTX2601 provides a 64-bit wide SRAM bank. Each DMA can read and write from the SRAM bank. The following figure provides an overview of the MVTX2601 SRAM bank.

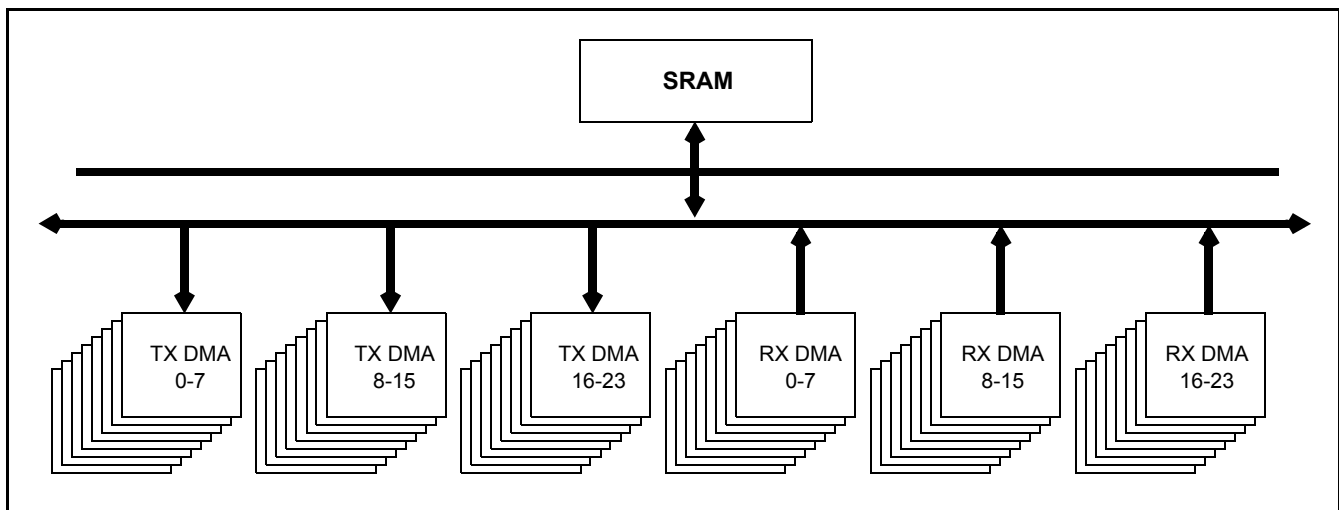


Figure 3 - MVTX2601 SRAM Interface Block Diagram (DMAs for 10/1000 Ports Only)

4.2 Detailed Memory Information

Because the bus for each bank is 64 bits wide, frames are broken into 8-byte granules, written to and read from memory.

4.3 Memory Requirements

To support 64 K MAC address, 2 MB memory is required. When VLAN support is enabled, 512 entries of the MAC address table are used for storing the VLAN ID at VLAN Index Mapping Table.

Up to 1 K Ethernet frame buffers are supported and they will use 1.5 MB of memory. Each frame uses 1536 bytes. The maximum system memory requirement is 2 MB. If less memory is desired, the configuration can scale down.

| Memory Bank | Frame Buffer | Max MAC Address |
|-------------|--------------|-----------------|
| 1 M | 1 K | 32 K |
| 2 M | 2 K | 64 K |

Table 1 - Memory Configuration

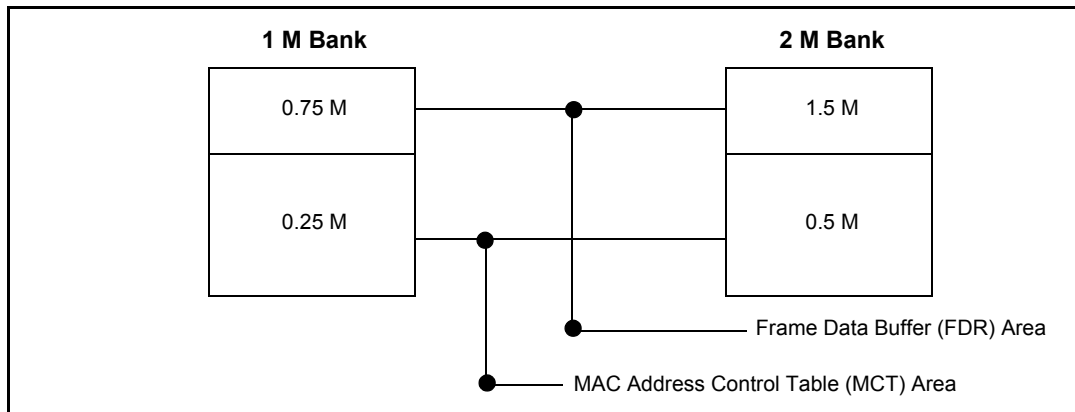


Figure 4 - Memory Map

5.0 Search Engine

5.1 Search Engine Overview

The MVTX2601 search engine is optimized for high throughput searching, with enhanced features to support:

- Up to 64 K MAC addresses
- 2 groups of port trunking
- Traffic classification into 4 transmission priorities, and 2 drop precedence levels
- Flooding, Broadcast, Multicast Storm Control
- MAC address learning and aging
- Port based VLAN

5.2 Basic Flow

Shortly after a frame enters the MVTX2601 and is written to the Frame Data Buffer (FDB), the frame engine generates a Switch Request, which is sent to the search engine. The switch request consists of the first 64 bytes of the frame, which contain all the necessary information for the search engine to perform its task. When the search engine is done, it writes to the Switch Response Queue and the frame engine uses the information provided in that queue for scheduling and forwarding.

In performing its task, the search engine extracts and compresses the useful information from the 64-byte switch request. Among the information extracted are the source and destination MAC addresses, the transmission and discard priorities, whether the frame is unicast or multicast. Requests are sent to the external SRAM to locate the associated entries in the external hash table.

When all the information has been collected from external SRAM, the search engine has to compare the MAC address on the current entry with the MAC address for which it is searching. If it is not a match, the process is repeated on the internal MCT Table. All MCT entries other than the first of each linked list are maintained internal to the chip. If the desired MAC address is still not found, then the result is either learning (source MAC address unknown) or flooding (destination MAC address unknown).

In addition, port based VLAN information is used to select the correct set of destination ports for the frame (for multicast) or to verify that the frame's destination port is associated with the VLAN (for unicast).

If the destination MAC address belongs to a port trunk, then the trunk number is retrieved instead of the port number. But on which port of the trunk will the frame be transmitted? This is easily computed using a hash of the source and destination MAC addresses.

As stated earlier, when all the information is compiled the switch response is generated. The search engine also interacts with the CPU with regard to learning and aging.

5.3 Search, Learning and Aging

5.3.1 MAC Search

The search block performs source MAC address and destination MAC address searching. As we indicated earlier, if a match is not found, then the next entry in the linked list must be examined and so on until a match is found or the end of the list is reached.

The port based VLAN bitmap is used to determine whether the frame should be forwarded to the outgoing port. When the egress port is not included in the ingress port VLAN bitmap, the packet is discarded.

The MAC search block is also responsible for updating the source MAC address timestamp and the VLAN port association timestamp, used for aging.

5.3.2 Learning

The learning module learns new MAC addresses and performs port change operations on the MCT database. The goal of learning is to update this database as the networking environment changes over time. Learning and port change will be performed based on memory slot availability only.

5.3.3 Aging

Aging time is controlled by register 400h and 401h.

The aging module scans and ages MCT entries based on a programmable "age out" time interval. As we indicated earlier, the search module updates the source MAC address timestamps for each frame it processes. When an entry is ready to be aged, the entry is removed from the table.

5.4 Quality of Service

Quality of Service (QoS) refers to the ability of a network to provide better service to selected network traffic over various technologies. Primary goals of QoS include dedicated bandwidth, controlled jitter and latency (required by some real-time and interactive traffic) and improved loss characteristics.

Traditional Ethernet networks have had no prioritization of traffic. Without a protocol to prioritize or differentiate traffic, a service level known as "best effort" attempts to get all the packets to their intended destinations with minimum delay; however, there are no guarantees. In a congested network or when a low-performance switch/router is overloaded, "best effort" becomes unsuitable for delay-sensitive traffic and mission-critical data transmission.

The advent of QoS for packet-based systems accommodates the integration of delay-sensitive video and multimedia traffic onto any existing Ethernet network. It also alleviates the congestion issues that have previously plagued such “best effort” networking systems. QoS provides Ethernet networks with the breakthrough technology to prioritize traffic and ensure that a certain transmission will have a guaranteed minimum amount of bandwidth.

Extensive core QoS mechanisms are built into the MVTX2601 architecture to ensure policy enforcement and buffering of the ingress port, as well as weighted fair-queue (WFQ) scheduling at the egress port.

In the MVTX2601, QoS-based policies sort traffic into a small number of classes and mark the packets accordingly. The QoS identifier provides specific treatment to traffic in different classes, so that different quality of service is provided to each class. Frame and packet scheduling and discarding policies are determined by the class to which the frames and packets belong. For example, the overall service given to frames and packets in the premium class will be better than that given to the standard class; the premium class is expected to experience lower loss rate or delay.

The MVTX2601 supports the following QoS techniques:

- In a port-based setup, any station connected to the same physical port of the switch will have the same transmit priority
- In a tag-based setup, a 3-bit field in the VLAN tag provides the priority of the packet. This priority can be mapped to different queues in the switch to provide QoS.
- In a TOS/DS-based set up, TOS stands for “Type of Service” that may include “minimize delay,” “maximize throughput” or “maximize reliability.” Network nodes may select routing paths or forwarding behaviours that are suitably engineered to satisfy the service request.
- In a logical port-based set up, a logical port provides the application information of the packet. Certain applications are more sensitive to delays than others; using logical ports to classify packets can help speed up delay sensitive applications such as VoIP.

5.5 Priority Classification Rule

Figure 5 shows the MVTX2601 priority classification rule.

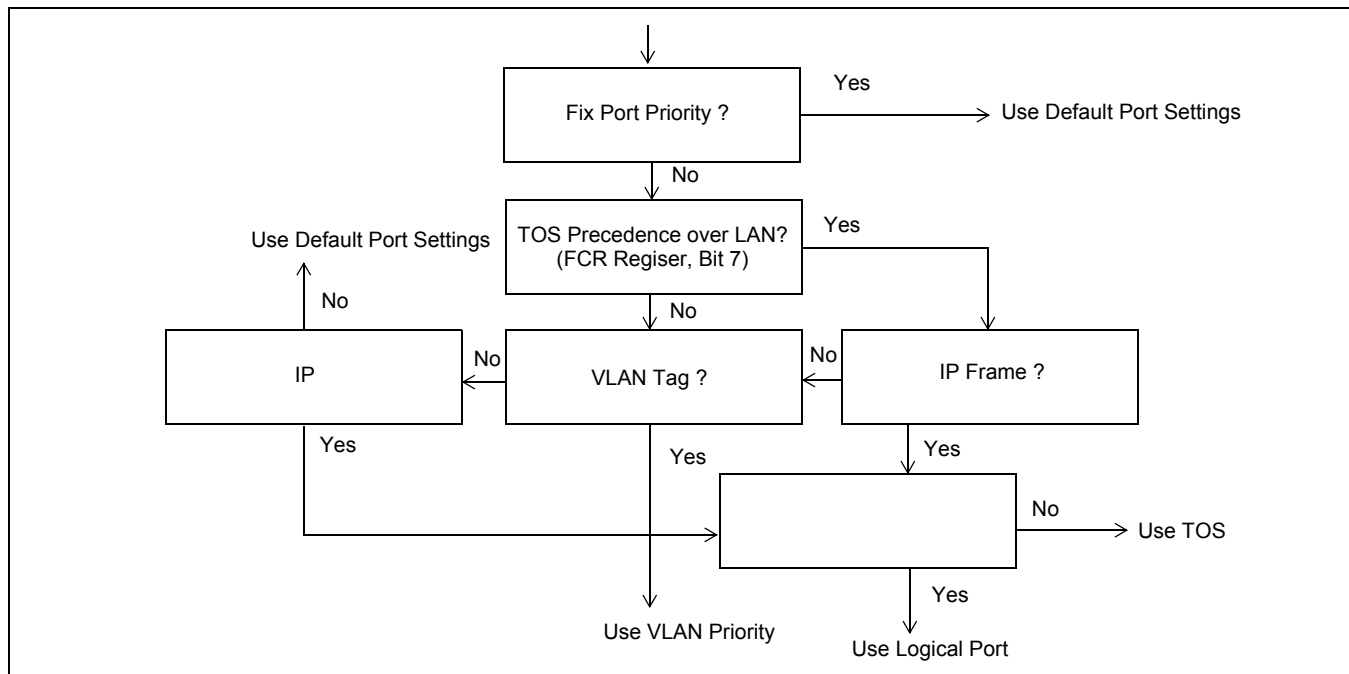


Figure 5 - Priority Classification Rule

5.6 Port Based VLAN

An administrator can use the PVMAP Registers to configure the MVTX2601 for port-based VLAN. For example, ports 1-3 might be assigned to the Marketing VLAN, ports 4-6 to the Engineering VLAN, and ports 7-9 to the Administrative VLAN. The MVTX2601 determines the VLAN membership of each packet by noting the port on which it arrives. From there, the MVTX2601 determines which outgoing port(s) is/are eligible to transmit each packet, or whether the packet should be discarded.

| | Destination Port Numbers Bit Map | | | | |
|-----------------------------------------------------------|----------------------------------|-----|---|---|---|
| Port Registers | 23 | ... | 2 | 1 | 0 |
| Register for Port #0 PVMAP00_0[7:0] to PVMAP00_2[7:0] | 0 | | 1 | 1 | 0 |
| Register for Port #1 PVMAP01_0[7:0] to PVMAP01_2[7:0] | 0 | | 1 | 0 | 1 |
| Register for Port #2 PVMAP02_0[7:0] to PVMAP02_2[7:0] | 0 | | 0 | 0 | 0 |
| ... | | | | | |
| Register for Port #23 PVMAP23_0[7:0] to PVMAP23_2[7:0] | 0 | | 0 | 0 | 0 |

Table 2 - PVMAP Register

For example, in the above table, a "1" denotes that an outgoing port is eligible to receive a packet from an incoming port. A 0 (zero) denotes that an outgoing port is not eligible to receive a packet from an incoming port.

In this example:

- Data packets received at port #0 are eligible to be sent to outgoing ports 1 and 2
- Data packets received at port #1 are eligible to be sent to outgoing ports 0, and 2
- Data packets received at port #2 are not eligible to be sent to ports 0 and 1

5.7 Memory Configurations

The MVTX2601 supports the following memory configurations. It supports 1 M and 2 M configurations.

| Configuration | 1 M (Bootstrap pin TSTOUT7 = open) | 2 M (Bootstrap pin TSTOUT7 = pull down) | Connections |
|---------------------------------------------------------|---------------------------------------------------------------|----------------------------------------------------------------|------------------------------------------------|
| Single Layer (Bootstrap pin TSTOUT13 = open) | Two 128 K x 32 SRAM/bank or One 128 K x 64 SRAM/bank | Two 256 K x 32 SRAM/bank | Connect 0E# and WE# |
| Double Layer (Bootstrap pin TSTOUT13 = pull down) | NA | Four 128 K x 32 SRAM/bank or Two 128 K x 64 SRAM/bank | Connect 0E0# and WE0# Connect 0E1# and WE1# |

Table 3 - Supported Memory Configurations (SBRAM Mode)

| | Frame data Buffer | | | | | |
|-----------------------------------------|-------------------|------------|-------------------|-----------------|---------------------|---------------------|
| | Only Bank A | | Bank A and Bank B | | Bank A and Bank B | |
| | 1 M (SRAM) | 2 M (SRAM) | 1 M/bank (SRAM) | 2 M/bank (SRAM) | 1 M/bank (ZBT SRAM) | 2 M/bank (ZBT SRAM) |
| MVTX2601 | X | X | | | | |
| MVTX2602 | X | X | | | | |
| MVTX2603 | | | X | X | | |
| MVTX2603 (Gigabit ports in 2 giga mode) | | | | | X (125 Mhz) | X (125 Mhz) |
| MVTX2604 | | | X | X | | |
| MVTX2604 (Gigabit ports in 2 giga mode) | | | | | X (125 Mhz) | X (125 Mhz) |

Table 4 - Options for Memory Configuration

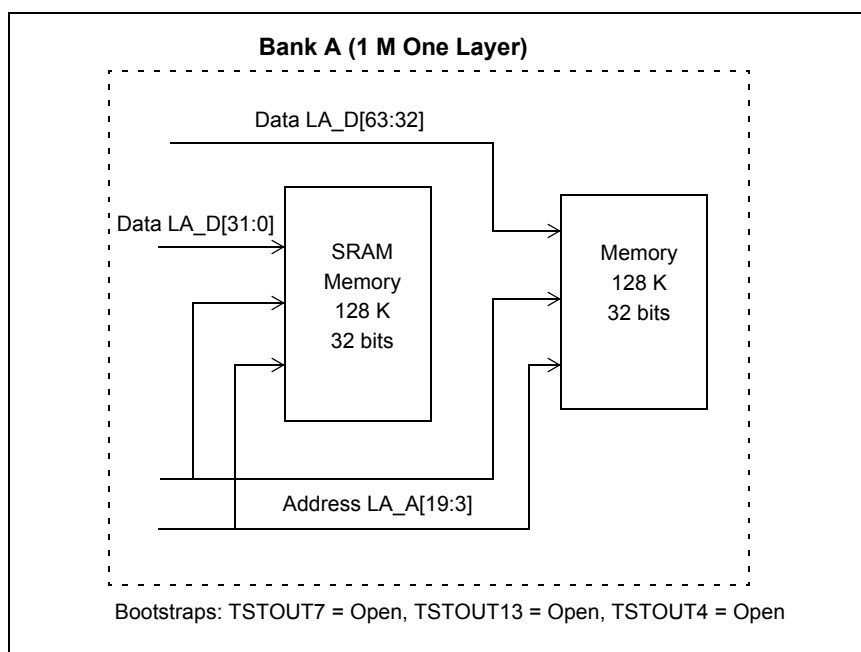


Figure 6 - Memory Configuration for 1 Bank, 1 Layer, 1 MB Total

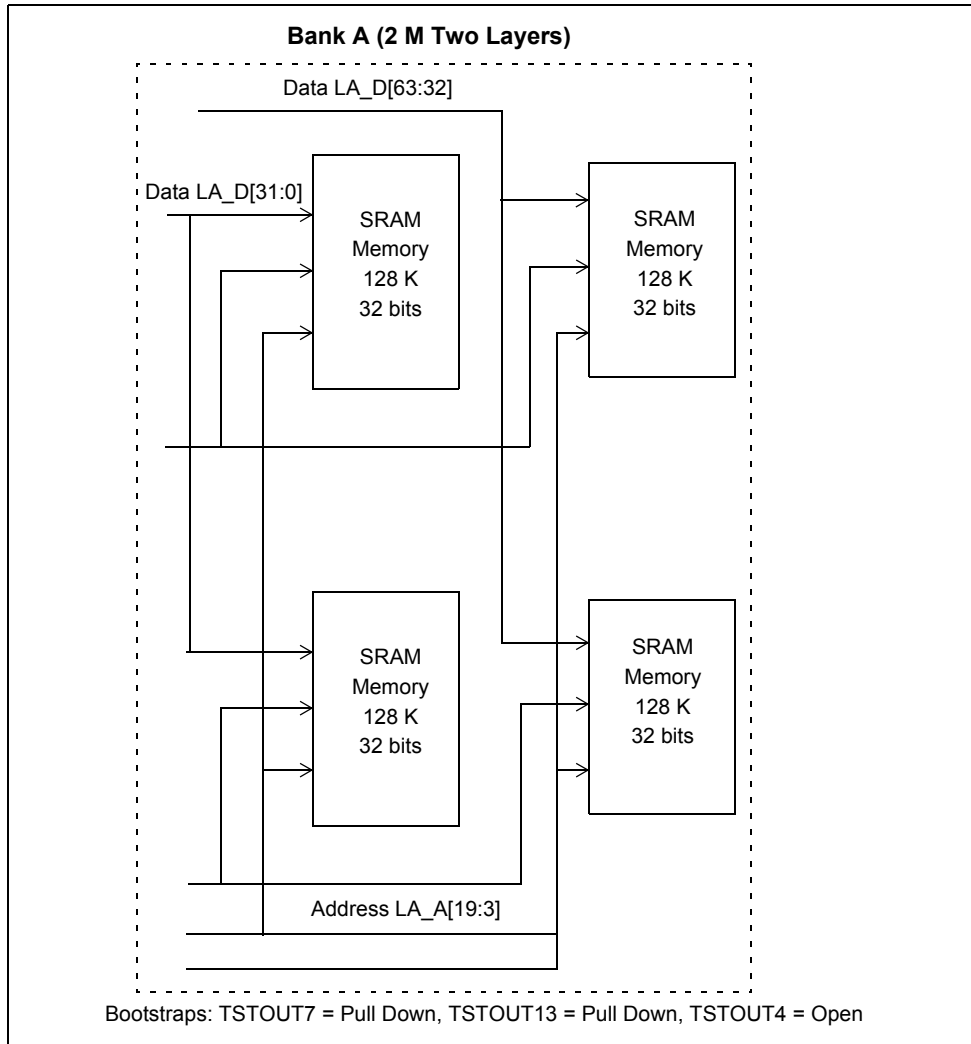


Figure 7 - Memory Configuration for 1 Bank, 2 Layers, 2 MB Total

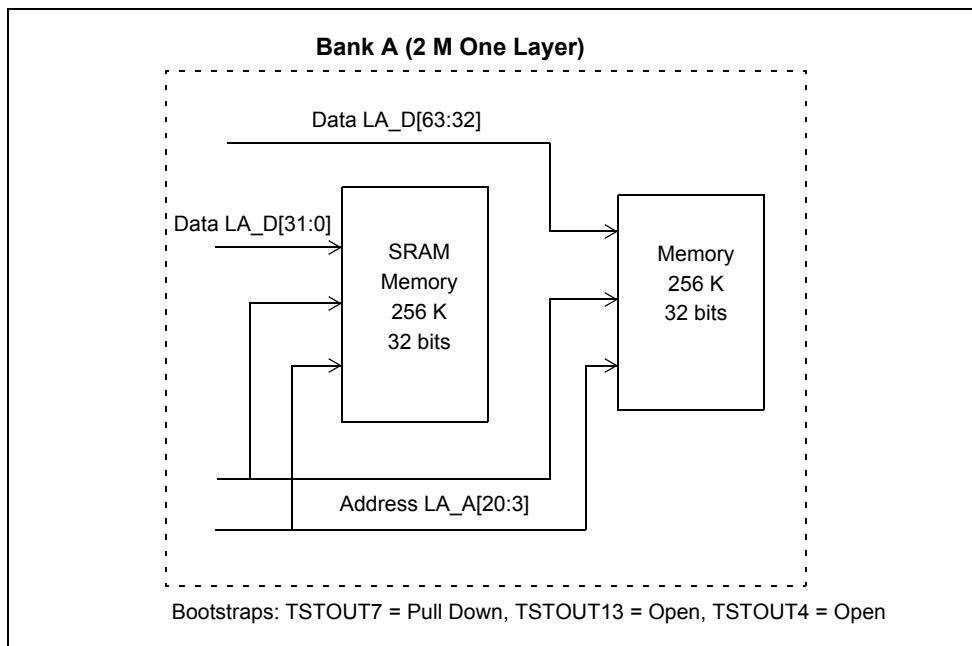


Figure 8 - Memory Configuration for 1 Bank, 1 Layer, 2 MB

6.0 Frame Engine

6.1 Data Forwarding Summary

When a frame enters the device at the RxMAC, the RxDMA will move the data from the MAC RxFIFO to the FDB. Data is moved in 8-byte granules in conjunction with the scheme for the SRAM interface.

A switch request is sent to the Search Engine. The Search Engine processes the switch request.

A switch response is sent back to the Frame Engine and indicates whether the frame is unicast or multicast and its destination port or ports.

A Transmission Scheduling Request is sent in the form of a signal notifying the TxQ manager. Upon receiving a Transmission Scheduling Request, the device will format an entry in the appropriate Transmission Scheduling Queue (TxSch Q) or Queues. There are four TxSch Q for each 10/100, one for each priority. Creation of a queue entry either involves linking a new job to the appropriate linked list if unicast or adding an entry to a physical queue if multicast.

When the port is ready to accept the next frame, the TxQ manager will get the head-of-line (HOL) entry of one of the TxSch Qs, according to the transmission scheduling algorithm (so as to ensure per-class quality of service). The unicast linked list and the multicast queue for the same port-class pair are treated as one logical queue. The older HOL between the two queues goes first. For 10/100 ports multicast queue 0 is associated with unicast queue 0 and multicast queue 1 is associated with unicast queue 2.

The TxDMA will pull frame data from the memory and forward it granule-by-granule to the MAC TxFIFO of the destination port.

6.2 Frame Engine Details

This section briefly describes the functions of each of the modules of the MVTX2601 frame engine.

6.2.1 FCB Manager

The FCB manager allocates FCB handles to incoming frames and releases FCB handles upon frame departure. The FCB manager is also responsible for enforcing buffer reservations and limits. The default values can be determined by referring to Chapter 8. In addition, the FCB manager is responsible for buffer aging and for linking unicast forwarding jobs to their correct TxSch Q. The buffer aging can be enabled or disabled by the bootstrap pin and the aging time is defined in register FCBAT.

6.2.2 Rx Interface

The Rx interface is mainly responsible for communicating with the RxMAC. It keeps track of the start and end of frame and frame status (good or bad). Upon receiving an end of frame that is good, the Rx interface makes a switch request.

6.2.3 RxDMA

The RxDMA arbitrates among switch requests from each Rx interface. It also buffers the first 64 bytes of each frame for use by the search engine when the switch request has been made.

6.2.4 TxQ Manager

First, the TxQ manager checks the per-class queue status and global reserved resource situation and using this information, makes the frame dropping decision after receiving a switch response. If the decision is not to drop, the TxQ manager requests that the FCB manager link the unicast frame's FCB to the correct per-port-per-class TxQ. If multicast, the TxQ manager writes to the multicast queue for that port and class. The TxQ manager can also trigger source port flow control for the incoming frame's source if that port is flow control enabled. Second, the TxQ manager handles transmission scheduling; it schedules transmission among the queues representing different classes for a port. Once a frame has been scheduled, the TxQ manager reads the FCB information and writes to the correct port control module.

6.3 Port Control

The port control module calculates the SRAM read address for the frame currently being transmitted. It also writes start of frame information and an end of frame flag to the MAC TxFIFO. When transmission is done, the port control module requests that the buffer be released.

6.4 TxDMA

The TxDMA multiplexes data and address from port control and arbitrates among buffer release requests from the port control modules.

7.0 Quality of Service and Flow Control

7.1 Model

Quality of service is an all-encompassing term for which different people have different interpretations. In general, the approach to quality of service described here assumes that we do not know the offered traffic pattern. We also assume that the incoming traffic is not policed or shaped. Furthermore, we assume that the network manager knows his applications, such as voice, file transfer or web browsing and their relative importance. The manager can then subdivide the applications into classes and set up a service contract with each. The contract may consist of

bandwidth or latency assurances per class. Sometimes it may even reflect an estimate of the traffic mix offered to the switch. As an added bonus, although we do not assume anything about the arrival pattern, if the incoming traffic is policed or shaped, we may be able to provide additional assurances about our switch's performance.

Table 5 shows examples of QoS applications with three transmission priorities, but best effort (P0) traffic may form a fourth class with no bandwidth or latency assurances.

| Goals | Total Assured Bandwidth (user defined) | Low Drop Probability (low-drop) | High Drop Probability (high-drop) |
|-----------------------------------|----------------------------------------|-----------------------------------------------------------------------------------------------------------------------|-----------------------------------------------------------------------------------------------------------------------------------------------|
| Highest transmission priority, P3 | 50 Mbps | Apps: phone calls, circuit emulation. Latency: < 1 ms. Drop: No drop if P3 not oversubscribed. | Apps: training video. Latency: < 1 ms. Drop: No drop if P3 not oversubscribed; first P3 to drop otherwise. |
| Middle transmission priority, P2 | 37.5 Mbps | Apps: interactive apps, Web business. Latency: < 4-5 ms. Drop: No drop if P2 not oversubscribed. | Apps: non-critical interactive apps. Latency: < 4-5 ms. Drop: No drop if P2 not oversubscribed; first P2 to drop otherwise. |
| Low transmission priority, P1 | 12.5 Mbps | Apps: emails, file backups. Latency: < 16 ms desired, but not critical. Drop: No drop if P1 not oversubscribed. | Apps: casual web browsing. Latency: < 16 ms desired, but not critical. Drop: No drop if P1 not oversubscribed; first to drop otherwise. |
| Total | 100 Mbps | | |

Table 5 - Two Dimensional World Traffic

A class is capable of offering traffic that exceeds the contracted bandwidth. A well-behaved class offers traffic at a rate no greater than the agreed-upon rate. By contrast, a misbehaving class offers traffic that exceeds the agreed-upon rate. A misbehaving class is formed from an aggregation of misbehaving microflows. To achieve high link utilization, a misbehaving class is allowed to use any idle bandwidth. However, such leniency must not degrade the quality of service (QoS) received by well-behaved classes.

As Table 6 illustrates, the six traffic types may each have their own distinct properties and applications. As shown, classes may receive bandwidth assurances or latency bounds. In the table, P3, the highest transmission class, requires that all frames be transmitted within 1 ms, and receives 50% of the 100 Mbps of bandwidth at that port.

Best-effort (P0) traffic forms a fourth class that only receives bandwidth when none of the other classes have any traffic to offer. It is also possible to add a fourth class that has strict priority over the other three; if this class has even one frame to transmit, then it goes first. In the MVTX2601, each 10/100 Mbps port will support four total classes, and each 1000 Mbps port will support eight classes. We will discuss the various modes of scheduling these classes in the next section.

In addition, each transmission class has two subclasses, high-drop and low-drop. Well-behaved users should rarely lose packets. But poorly behaved users – users who send frames at too high a rate – will encounter frame loss and the first to be discarded will be high-drop. Of course, if this is insufficient to resolve the congestion, eventually some low-drop frames are dropped and then all frames in the worst case.

Table 6 shows that different types of applications may be placed in different boxes in the traffic table. For example, casual web browsing fits into the category of high-loss, high-latency-tolerant traffic, whereas VoIP fits into the category of low-loss, low-latency traffic.

7.2 Four QoS Configurations

There are four basic pieces to QoS scheduling in the MVTX2601: strict priority (SP), delay bound, weighted fair queuing (WFQ), and best effort (BE). Using these four pieces, there are four different modes of operation, as shown in Tables 4 and 5. For 10/100 Mbps ports, these modes are selected by the following registers:

| | |
|--------------|------------|
| QOSC24 [7:6] | CREDIT_C00 |
| QOSC28 [7:6] | CREDIT_C10 |
| QOSC32 [7:6] | CREDIT_C20 |
| QOSC36 [7:6] | CREDIT_C30 |

| | P3 | P2 | P1 | P0 |
|---------------|-------------|-------------|----|----|
| Op1 (default) | Delay Bound | | | BE |
| Op2 | SP | Delay Bound | | BE |
| Op3 | SP | WFQ | | |
| Op4 | WFQ | | | |

Table 6 - Four QoS Configurations for a 10/100Mbps Port

The default configuration for a 10/100 Mbps port is three delay-bounded queues and one best-effort queue. The delay bounds per class are 0.8 ms for P3, 2 ms for P2, and 12.8 ms for P1. Best effort traffic is only served when there is no delay-bounded traffic to be served.

We have a second configuration for a 10/100 Mbps port in which there is one strict priority queue, two delay bounded queues and one best effort queue. The delay bounds per class are 3.2 ms for P2 and 12.8 ms for P1. If the user is to choose this configuration, it is important that P3 (SP) traffic be either policed or implicitly bounded (e.g., if the incoming P3 traffic is very light and predictably patterned). Strict priority traffic, if not admission-controlled at a prior stage to the MVTX2601 can have an adverse effect on all other classes' performance.

The third configuration for a 10/100 Mbps port contains one strict priority queue and three queues receiving a bandwidth partition via WFQ. As in the second configuration, strict priority traffic needs to be carefully controlled. In the fourth configuration, all queues are served using a WFQ service discipline.

7.3 Delay Bound

In the absence of a sophisticated QoS server and signaling protocol, the MVTX2601 may not know the mix of incoming traffic ahead of time. To cope with this uncertainty, our delay assurance algorithm dynamically adjusts its scheduling and dropping criteria, guided by the queue occupancies and the due dates of their head-of-line (HOL) frames. As a result, we assure latency bounds for all admitted frames with high confidence, even in the presence of system-wide congestion. Our algorithm identifies misbehaving classes and intelligently discards frames at no detriment to well-behaved classes. Our algorithm also differentiates between high-drop and low-drop traffic with a weighted random early drop (WRED) approach. Random early dropping prevents congestion by randomly dropping a percentage of high-drop frames even before the chip's buffers are completely full, while still largely sparing low-drop frames. This allows high-drop frames to be discarded early, as a sacrifice for future low-drop frames. Finally, the delay bound algorithm also achieves bandwidth partitioning among classes.

7.4 Strict Priority and Best Effort

When strict priority is part of the scheduling algorithm, if a queue has even one frame to transmit, it goes first. Two of our four QoS configurations include strict priority queues. The goal is for strict priority classes to be used for IETF expedited forwarding (EF), where performance guarantees are required. As we have indicated, it is important that strict priority traffic be either policed or implicitly bounded, so as to keep from harming other traffic classes.

When best effort is part of the scheduling algorithm, a queue only receives bandwidth when none of the other classes have any traffic to offer. Two of our four QoS configurations include best effort queues. The goal is for best effort classes to be used for non-essential traffic, because we provide no assurances about best effort performance. However, in a typical network setting, much best effort traffic will indeed be transmitted and with an adequate degree of expediency.

Because we do not provide any delay assurances for best effort traffic, we do not enforce latency by dropping best effort traffic. Furthermore, because we assume that strict priority traffic is carefully controlled before entering the MVTX2601, we do not enforce a fair bandwidth partition by dropping strict priority traffic. To summarize, dropping to enforce bandwidth or delay does not apply to strict priority or best effort queues. We only drop frames from best effort and strict priority queues when global buffer resources become scarce.

7.5 Weighted Fair Queuing

In some environments – for example, in an environment in which delay assurances are not required, but precise bandwidth partitioning on small time scales is essential, WFQ may be preferable to a delay-bounded scheduling discipline. The MVTX2601 provides the user with a WFQ option with the understanding that delay assurances can not be provided if the incoming traffic pattern is uncontrolled. The user sets four WFQ “weights” such that all weights are whole numbers and sum to 64. This provides per-class bandwidth partitioning with error within 2%.

In WFQ mode, though we do not assure frame latency, the MVTX2601 still retains a set of dropping rules that helps to prevent congestion and trigger higher level protocol end-to-end flow control.

As before, when strict priority is combined with WFQ, we do not have special dropping rules for the strict priority queues, because the input traffic pattern is assumed to be carefully controlled at a prior stage. However, we do indeed drop frames from SP queues for global buffer management purposes. In addition, queue P0 for a 10/100 port are treated as best effort from a dropping perspective, though they still are assured a percentage of bandwidth from a WFQ scheduling perspective. What this means is that these particular queues are only affected by dropping when the global buffer count becomes low.

7.6 WRED Drop Threshold Management Support

To avoid congestion, the Weighted Random Early Detection (WRED) logic drops packets according to specified parameters. The following table summarizes the behavior of the WRED logic.

| In KB (kilobytes) | P3 | P2 | P1 | High Drop | Low Drop |
|--------------------|----------|----------|----------|-----------|----------|
| Level 1 N ≥ 120 | P3 ≥ AKB | P2 ≥ AKB | P1 ≥ AKB | X% | 0% |
| Level 2 N ≥ 140 | | | | Y% | Z% |
| Level 3 N ≥ 160 | | | | 100% | 100% |

Table 7 - WRED Drop Thresholds

Px is the total byte count, in the priority queue x. The WRED logic has three drop levels, depending on the value of N, which is based on the number of bytes in the priority queues. If delay bound scheduling is used, N equals $P3*16+P2*4+P1$. If using WFQ scheduling, N equals $P3+P2+P1$. Each drop level from one to three has defined

high-drop and low-drop percentages, which indicate the minimum and maximum percentages of the data that can be discarded. The X, Y Z percent can be programmed by the register RDRC0, RDRC1. In Level 3, all packets are dropped if the bytes in each priority queue exceed the threshold. Parameters A, B, C are the byte count thresholds for each priority queue. They can be programmed by the QOS control register (refer to the register group 5). See Programming Qos Registers Application Note for more information.

7.7 Buffer Management

Because the number of FDB slots is a scarce resource and because we want to ensure that one misbehaving source port or class cannot harm the performance of a well-behaved source port or class, we introduce the concept of buffer management into the MVTX2601. Our buffer management scheme is designed to divide the total buffer space into numerous reserved regions and one shared pool as shown in Figure 9 on page 26.

As shown in the figure, the FDB pool is divided into several parts. A reserved region for temporary frames stores frames prior to receiving a switch response. Such a temporary region is necessary, because when the frame first enters the MVTX2601, its destination port and class are as yet unknown and so the decision to drop or not needs to be temporarily postponed. This ensures that every frame can be received first before subjecting them to the frame drop discipline after classifying.

Six reserved sections, one for each of the first six priority classes, ensure a programmable number of FDB slots per class. The lowest two classes do not receive any buffer reservation. Furthermore, even for 10/100 Mbps ports, a frame is stored in the region of the FDB corresponding to its class. As we have indicated, the eight classes use only four transmission scheduling queues for 10/100 Mbps ports, but as far as buffer usage is concerned, there are still eight distinguishable classes.

Another segment of the FDB reserves space for each of the 24 ports. One parameter can be set for the source port reservation for 10/100 Mbps. These 24 reserved regions make sure that no well-behaved source port can be blocked by another misbehaving source port.

In addition, there is a shared pool which can store any type of frame. The frame engine allocates the frames first in the six priority sections. When the priority section is full or the packet has priority 1 or 0, the frame is allocated in the shared pool. Once the shared pool is full the frames are allocated in the section reserved for the source port.

The following registers define the size of each section of the frame data buffer:

PR100 - Port Reservation for 10/100 Ports

SFCB - Share FCB Size

C2RS - Class 2 Reserve Size

C3RS - Class 3 Reserve Size

C4RS - Class 4 Reserve Size

C5RS - Class 5 Reserve Size

C6RS - Class 6 Reserve Size

C7RS- Class 7 Reserve Size

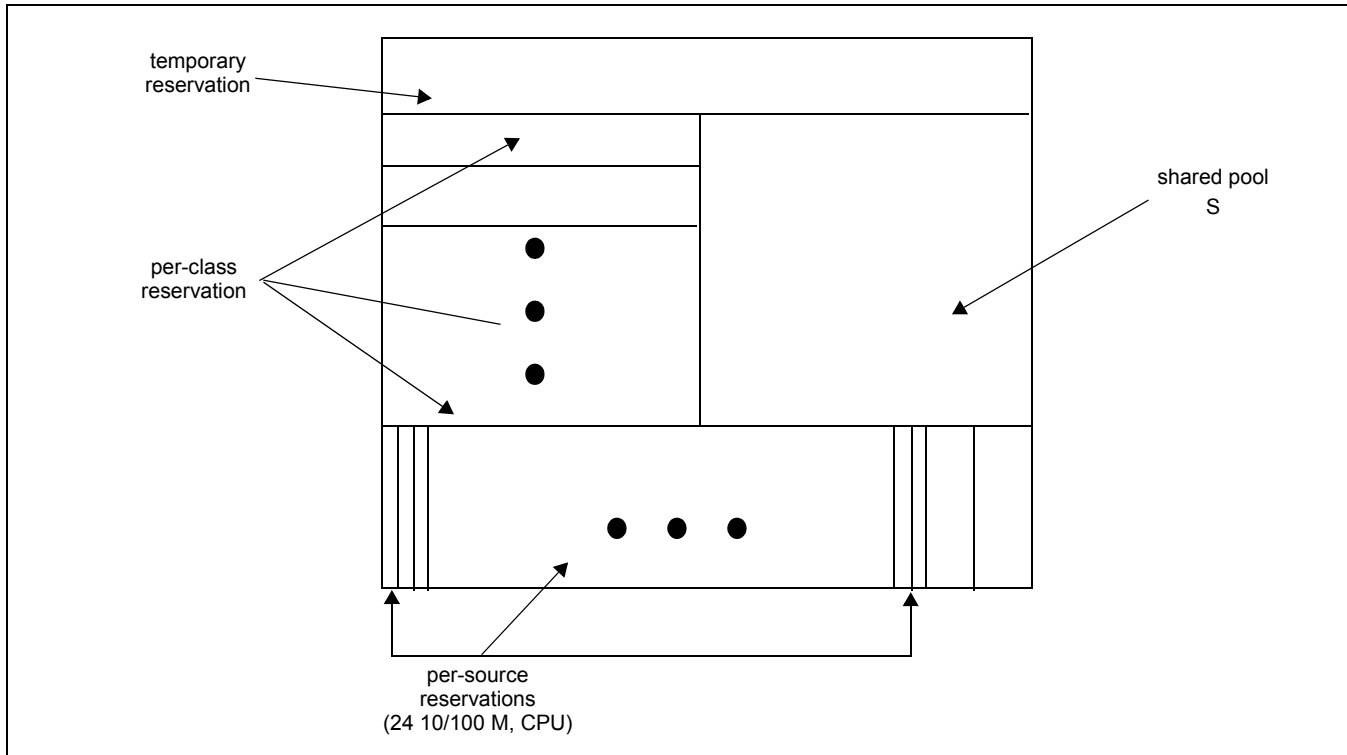


Figure 9 - Buffer Partition Scheme Used to Implement MVTX2601 Buffer Management

7.7.1 Dropping When Buffers Are Scarce

Summarizing the two examples of local dropping discussed earlier in this chapter:

- If a queue is a delay-bounded queue, we have a multi level WRED drop scheme, designed to control delay and partition bandwidth in case of congestion
- If a queue is a WFQ-scheduled queue, we have a multi level WRED drop scheme, designed to prevent congestion

In addition to these reasons for dropping, we also drop frames when global buffer space becomes scarce. The function of buffer management is to make sure that such dropping causes as little blocking as possible.

7.8 MVTX2601 Flow Control Basics

Because frame loss is unacceptable for some applications, the MVTX2601 provides a flow control option. When flow control is enabled, scarcity of buffer space in the switch may trigger a flow control signal; this signal tells a source port that is sending a packet to this switch to temporarily hold off.

While flow control offers the clear benefit of no packet loss, it also introduces a problem for quality of service. When a source port receives an Ethernet flow control signal, all microflows originating at that port, well-behaved or not are halted. A single packet destined for a congested output can block other packets destined for uncongested outputs. The resulting head-of-line blocking phenomenon means that quality of service cannot be assured with high confidence when flow control is enabled.

In the MVTX2601, each source port can independently have flow control enabled or disabled. For flow control enabled ports, by default all frames are treated as lowest priority during transmission scheduling. This is done so that those frames are not exposed to the WRED Dropping scheme. Frames from flow control enabled ports feed to only one queue at the destination, the queue of lowest priority. What this means is that if flow control is enabled for a given source port, then we can guarantee that no packets originating from that port will be lost, but at the possible

expense of minimum bandwidth or maximum delay assurances. In addition, these “downgraded” frames may only use the shared pool or the per-source reserved pool in the FDB; frames from flow control enabled sources may not use reserved FDB slots for the highest six classes (P2-P7).

The MVTX2601 does provide a system-wide option of permitting normal QoS scheduling (and buffer use) for frames originating from flow control enabled ports. When this programmable option is active, it is possible that some packets may be dropped even though flow control is on. The reason is that intelligent packet dropping is a major component of the MVTX2601’s approach to ensuring bounded delay and minimum bandwidth for high priority flows.

7.8.1 Unicast Flow Control

For unicast frames, flow control is triggered by source port resource availability. Recall that the MVTX2601’s buffer management scheme allocates a reserved number of FDB slots for each source port. If a programmed number of a source port’s reserved FDB slots have been used then flow control Xoff is triggered.

Xon is triggered when a port is currently being flow controlled and all of that port’s reserved FDB slots have been released.

Note that the MVTX2601’s per-source-port FDB reservations assure that a source port that sends a single frame to a congested destination will not be flow controlled.

7.8.2 Multicast Flow Control

In unmanaged mode, flow control for multicast frames is triggered by a global buffer counter. When the system exceeds a programmable threshold of multicast packets, Xoff is triggered. Xon is triggered when the system returns below this threshold.

In addition, each source port has a 23-bit port map recording which port or ports of the multicast frame’s fanout were congested at the time Xoff was triggered. All ports are continuously monitored for congestion and a port is identified as uncongested when its queue occupancy falls below a fixed threshold. When all those ports that were originally marked as congested in the port map have become uncongested, then Xon is triggered and the 23-bit vector is reset to zero.

7.9 Mapping to IETF Diffserv Classes

For 10/100 Mbps ports, the classes of Table 6 are merged in pairs—one class corresponding to NM+EF, two AF classes and a single BE class.

| | | | | |
|------|-------|-----|-----|-----|
| VTX | P3 | P2 | P1 | P0 |
| IETF | NM+EF | AF0 | AF1 | BE0 |

Table 8 - Mapping between MVTX2601 and IETF Diffserv Classes for 10/100 Ports

Features of the MVTX2601 that correspond to the requirements of their associated IETF classes are summarized in the table below.

| | |
|-------------------------------------------------------|----------------------------------------------------------------------------------------------------------------------------------------------------------------------------------------------------------------------------------------------------------------------------------------------------------------------------------------------|
| Network management (NM) and Expedited forwarding (EF) | <ul style="list-style-type: none"> • Global buffer reservation for NM and EF • Option of strict priority scheduling • No dropping if admission controlled |
| Assured forwarding (AF) | <ul style="list-style-type: none"> • Programmable bandwidth partition, with option of WFQ service • Option of delay-bounded service keeps delay under fixed levels even if not admission-controlled • Random early discard, with programmable levels • Global buffer reservation for each AF class |
| Best effort (BE) | <ul style="list-style-type: none"> • Service only when other queues are idle means that QoS not adversely affected • Random early discard, with programmable levels • Traffic from flow control enabled ports automatically classified as BE |

Table 9 - MVTX2601 Features Enabling IETF Diffserv Standards

8.0 Port Trunking

8.1 Features and Restrictions

A port group (i.e., trunk) can include up to 4 physical ports but all of the ports in a group must be in the same MVTX2601.

Load distribution among the ports in a trunk for unicast is performed using hashing based on source MAC address and destination MAC address. Three other options include source MAC address only, destination MAC address only and source port (in bidirectional ring mode only). Load distribution for multicast is performed similarly.

The MVTX2601 also provides a safe fail-over mode for port trunking automatically. If one of the ports in the trunking group goes down, the MVTX2601 will automatically redistribute the traffic over to the remaining ports in the trunk.

8.2 Unicast Packet Forwarding

The search engine finds the destination MCT entry and if the status field says that the destination port found belongs to a trunk then the group number is retrieved instead of the port number. In addition, if the source address belongs to a trunk then the source port's trunk membership register is checked.

A hash key, based on some combination of the source and destination MAC addresses for the current packet, selects the appropriate forwarding port.

8.3 Multicast Packet Forwarding

For multicast packet forwarding, the device must determine the proper set of ports from which to transmit the packet based on the VLAN index and hash key.

Two functions are required in order to distribute multicast packets to the appropriate destination ports in a port trunking environment.

Determining one forwarding port per group. For multicast packets, all but one port per group, the forwarding port, must be excluded.

Preventing the multicast packet from looping back to the source trunk.

The search engine needs to prevent a multicast packet from sending to a port that is in the same trunk group with the source port. This is because when we select the primary forwarding port for each group, we do not take the source port into account. To prevent this, we simply apply one additional filter, so as to block that forwarding port for this multicast packet.

8.4 Trunking

2 trunk groups are supported. Groups 0 and 1 can trunk up to 4 10/100 ports. The supported combinations are shown in the following table.

| | | | | |
|---------|---------------|---------------|---------------|---------------|
| Group 0 | Port 0 | Port 1 | Port 2 | Port 3 |
| | ✓ | ✓ | | |
| | ✓ | ✓ | ✓ | |
| | ✓ | ✓ | ✓ | ✓ |

Select via trunk0_mode register

| | | | | |
|---------|---------------|---------------|---------------|---------------|
| Group 1 | Port 4 | Port 5 | Port 6 | Port 7 |
| | ✓ | ✓ | | |
| | ✓ | ✓ | ✓ | ✓ |

Select via trunk1_mode register

The trunks are individually enabled/disabled by controlling pin trunk 0,1.

9.0 Port Mirroring

9.1 Port Mirroring Features

The received or transmitted data of any 10/100 port in the MVTX2601 chip can be “mirrored” to any other port. We support two such mirrored source-destination pairs. A mirror port cannot also serve as a data port. Please refer to the Port Mirroring Application Note for further details.

9.2 Setting Registers for Port Mirroring

- **MIRROR1_SRC**: Sets the source port for the first port mirroring pair. Bits [4:0] select the source port to be mirrored. An illegal port number is used to disable mirroring (which is the default setting). Bit [5] is used to select between ingress (Rx) or egress (Tx) data.
- **MIRROR1_DEST**: Sets the destination port for the first port mirroring pair. Bits [4:0] select the destination port to be mirrored. The default is port 23.
- **MIRROR2_SRC**: Sets the source port for the second port mirroring pair. Bits [4:0] select the source port to be mirrored. An illegal port number is used to disable mirroring (which is the default setting). Bit [5] is used to select between ingress (Rx) or egress (Tx) data.
- **MIRROR2_DEST**: Sets the destination port for the second port mirroring pair. Bits [4:0] select the destination port to be mirrored. The default is port 0.

10.0 GPSI (7WS) Interface

10.1 GPSI connection

The 10/100 RMII ethernet port can function in GPSI (7WS) mode when the corresponding TXEN pin is strapped low with a 1 K pull down resistor. In this mode, the TXD[0], TXD[1], RXD[0] and RXD[1] serve as TX data, TX clock, RX data and RX clock respectively. The link status and collision from the PHY are multiplexed and shifted into the switch device through external glue logic. The duplex of the port can be controlled by programming the ECR register.

The GPSI interface can be operated in port based VLAN mode only.

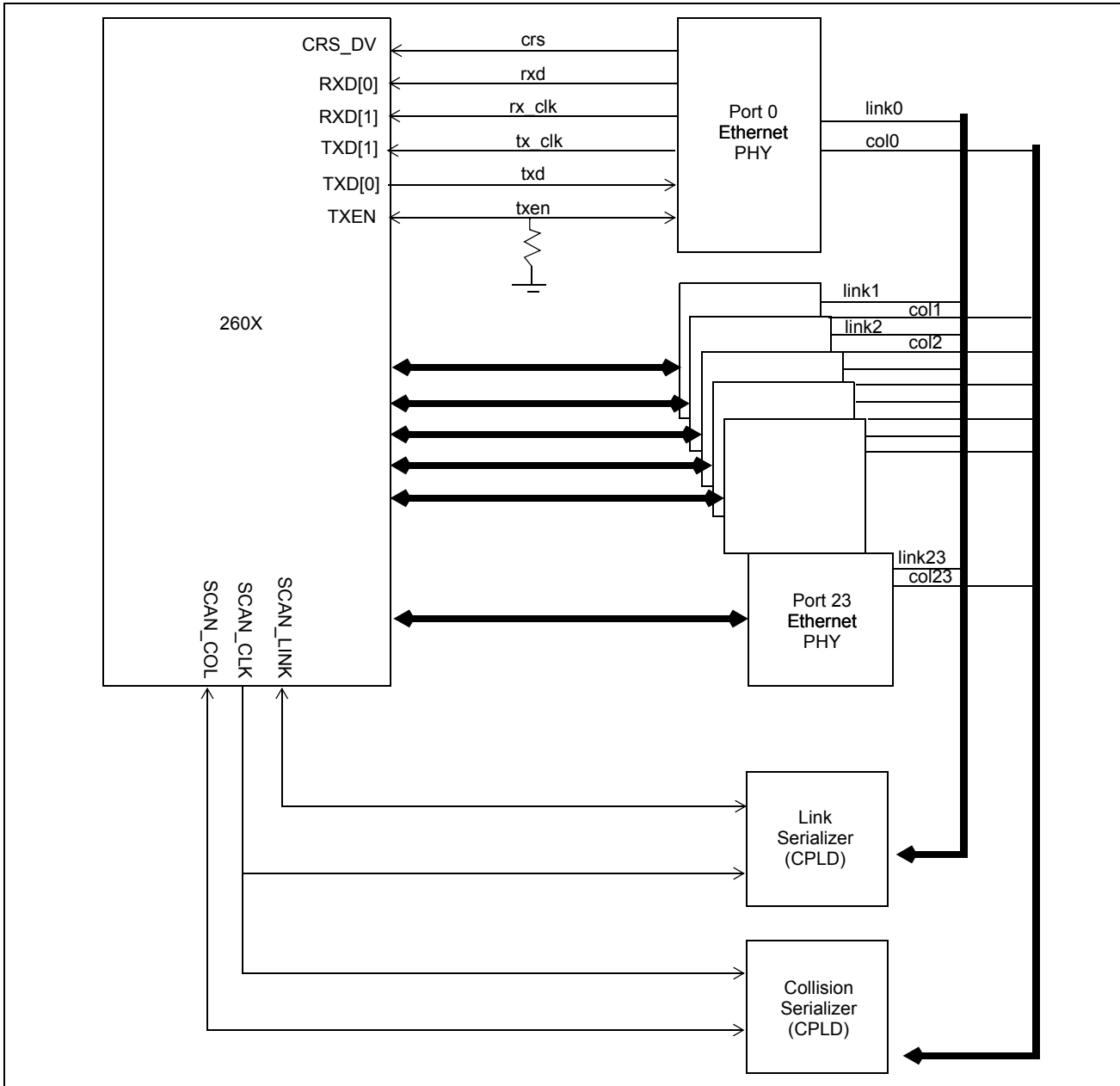


Figure 10 - GPSI (7WS) Mode Connection Diagram

10.2 SCAN LINK and SCAN COL interface

An external CPLD logic is required to take the link signals and collision signals from the GPSI PHYs and shift them into the switch device. The switch device will drive out a signature to indicate the start of the sequence. After that, the CPLD should shift in the link and collision status of the PHYs as shown in the figure. The extra link status indicates the polarity of the link signal. One indicates the polarity of the link signal is active high.

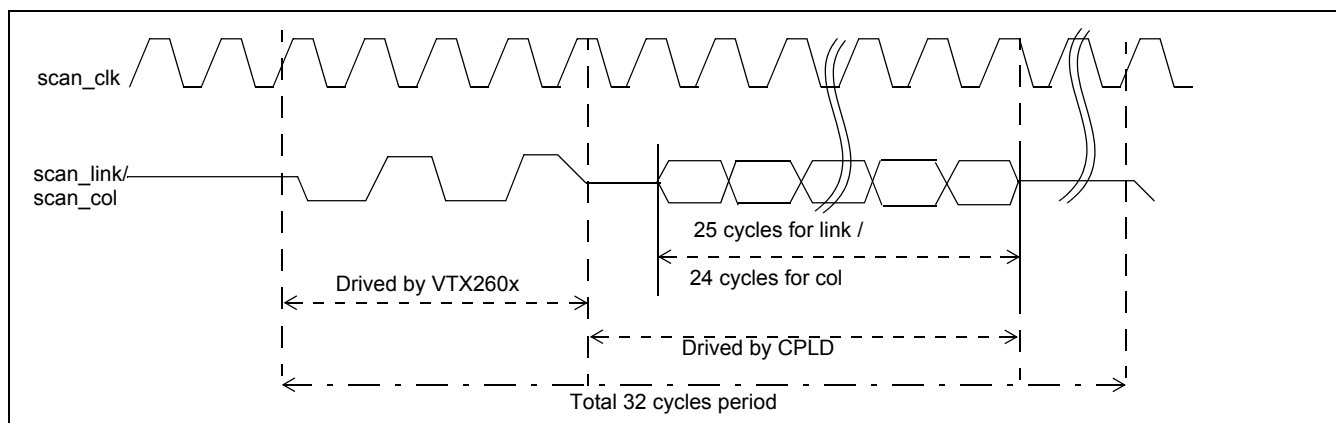


Figure 11 - SCAN LINK and SCAN COLLISION Status Diagram

11.0 LED Interface

11.1 LED Interface Introduction

A serial output channel provides port status information from the MVTX2601 chips. It requires three additional pins.

- LED_CLK at 12.5 MHz
- LED_SYN a sync pulse that defines the boundary between status frames
- LED_DATA a continuous serial stream of data for all status LEDs that repeats once every frame time

A low cost external device (44 pin PAL) is used to decode the serial data and to drive an LED array for display. This device can be customized for different needs.

11.2 Port Status

In the MVTX2601, each port has 8 status indicators, each represented by a single bit. The 8 LED status indicators are:

- Bit 0: Flow control
- Bit 1: Transmit data
- Bit 2: Receive data
- Bit 3: Activity (where activity includes either transmission or reception of data)
- Bit 4: Link up
- Bit 5: Speed (1= 100 Mb/s; 0= 10 Mb/s)
- Bit 6: Full-duplex
- Bit 7: Collision

Eight clocks are required to cycle through the eight status bits for each port.

When the LED_SYN pulse is asserted, the LED interface will present 256 LED clock cycles with the clock cycles providing information for the following ports.

Port 0 (10/100): cycles #0 to cycle #7

Port 1 (10/100): cycles#8 to cycle #15

Port 2 (10/100): cycle #16 to cycle #23

...

Port 22 (10/100): cycle #176 to cycle #183

Port 23 (10/100): cycle #184 to cycle #191

Reserved: cycle #192 to cycle #199

Reserved: cycle #200 to cycle #207

Byte 26 (additional status): cycle #208 to cycle #215

Byte 27 (additional status): cycle #216 to cycle #223

Cycles #224 to 256 present data with a value of zero.

Byte 26 and byte 27 provides bist status

- 26[0]: Reserved
- 26[1]: Reserved
- 26[2]: initialization done
- 26[3]: initialization start
- 26[4]: checksum ok
- 26[5]: link_init_complete
- 26[6]: bist_fail
- 26[7]: ram_error
- 27[0]: bist_in_process
- 27[1]: bist_done

11.3 LED Interface Timing Diagram

The signal from the MVTX2601 to the LED decoder is shown in Figure 12.

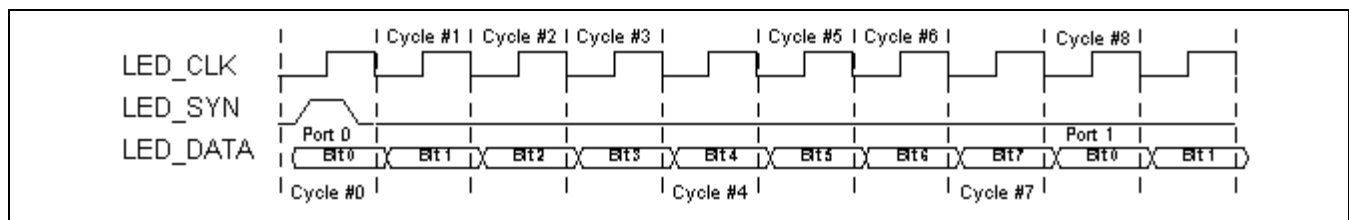


Figure 12 - Timing Diagram of LED Interface

12.0 Register Definition

12.1 MVTX2601 Register Description

| Register | Description | CPU Addr (Hex) | R/W | I ² C Addr (Hex) | Default | Notes |
|---------------------------------------------------------------------------------|------------------------------------|----------------|-----|-----------------------------|-----------------------|-------|
| ETHERNET Port Control Registers Substitute [N] with Port number (0..17h) | | | | | | |
| ECR1P"N" | Port Control Register 1 for Port N | 000 + 2 x N | R/W | 000-018 | 020 | |
| ECR2P"N" | Port Control Register 2 for Port N | 001 + 2 x N | R/W | 01B-033 | 000 | |
| VLAN Control Registers Substitute [N] with Port number (0..17h) | | | | | | |
| AVTCL | VLAN Type Code Register Low | 100 | R/W | 036 | 000 | |
| AVTCH | VLAN Type Code Register High | 101 | R/W | 037 | 081 | |
| PVMAP"N"_0 | Port "N" Configuration Register 0 | 102 + 4N | R/W | 038-050 | 0FF | |
| PVMAP"N"_1 | Port "N" Configuration Register 1 | 103 + 4N | R/W | 053-06B | 0FF | |
| PVMAP"N"_2 | Port "N" Configuration Register 2 | 104 + 4N | R/W | 06E-086 | 0FF | |
| PVMAP"N"_3 | Port "N" Configuration Register 3 | 105 + 4N | R/W | 089-0A1 | 007 | |
| PVMODE | VLAN Operating Mode | 170 | R/W | 0A4 | 000 | |
| TRUNK Control Registers | | | | | | |
| TRUNK0_MODE | Trunk Group 0 Mode | 203 | R/W | 0A5 | 003 | |
| TRUNK1_MODE | Trunk Group 1 Mode | 20B | R/W | 0A6 | 003 | |
| Search Engine Configurations | | | | | | |
| TX_AGE | Transmission Queue Aging Time | 325 | R/W | 0A7 | 008 | |
| AGETIME_LOW | MAC Address Aging Time Low | 400 | R/W | 0A8 | 2M:05C / 4M:02E | |
| AGETIME_HIGH | MAC Address Aging Time High | 401 | R/W | 0A9 | 000 | |
| SE_OPMODE | Search Engine Operating Mode | 403 | R/W | NA | 000 | |
| Buffer Control and QOS Control | | | | | | |
| FCBAT | FCB Aging Timer | 500 | R/W | 0AA | 0FF | |
| QOSC | QOS Control | 501 | R/W | 0AB | 000 | |
| FCR | Flooding Control Register | 502 | R/W | 0AC | 008 | |
| AVPML | VLAN Priority Map Low | 503 | R/W | 0AD | 000 | |
| AVPMM | VLAN Priority Map Middle | 504 | R/W | 0AE | 000 | |
| AVPMH | VLAN Priority Map High | 505 | R/W | 0AF | 000 | |
| TOSPML | TOS Priority Map Low | 506 | R/W | 0B0 | 000 | |

| Register | Description | CPU Addr (Hex) | R/W | I ² C Addr (Hex) | Default | Notes |
|-----------------------|------------------------------------------|----------------|-----|-----------------------------|-----------------------|-------|
| TOSPMML | TOS Priority Map Middle | 507 | R/W | 0B1 | 000 | |
| TOSPMH | TOS Priority Map High | 508 | R/W | 0B2 | 000 | |
| AVDM | VLAN Discard Map | 509 | R/W | 0B3 | 000 | |
| TOSDML | TOS Discard Map | 50A | R/W | 0B4 | 000 | |
| BMRC | Broadcast/Multicast Rate Control | 50B | R/W | 0B5 | 000 | |
| UCC | Unicast Congestion Control | 50C | R/W | 0B6 | 1M:008 / 2M:010 | |
| MCC | Multicast Congestion Control | 50D | R/W | 0B7 | 050 | |
| PR100 | Port Reservation for 10/100 Ports | 50E | R/W | 0B8 | 1M:035 / 2M:058 | |
| SFCB | Share FCB Size | 510 | R/W | 0BA | 1M:046 / 2M:0E6 | |
| C2RS | Class 2 Reserve Size | 511 | R/W | 0BB | 000 | |
| C3RS | Class 3 Reserve Size | 512 | R/W | 0BC | 000 | |
| C4RS | Class 4 Reserve Size | 513 | R/W | 0BD | 000 | |
| C5RS | Class 5 Reserve Size | 514 | R/W | 0BE | 000 | |
| C6RS | Class 6 Reserve Size | 515 | R/W | 0BF | 000 | |
| C7RS | Class 7 Reserve Size | 516 | R/W | 0C0 | 000 | |
| QOSC"N" | QOS Control (N=0-39) | 517-53E | R/W | 0C1-0D2 | 000 | |
| RDRC0 | WRED Drop Rate Control 0 | 553 | R/W | 0FB | 08F | |
| RDRC1 | WRED Drop Rate Control 1 | 554 | R/W | 0FC | 088 | |
| USER_PORT"N"_LOW | User Define Logical Port "N" Low (N=0-7) | 580 + 2N | R/W | 0D6-0DD | 000 | |
| USER_PORT"N"_HIGH | User Define Logical Port "N" High | 581 + 2N | R/W | 0DE-0E5 | 000 | |
| USER_PORT1:0_PRIORITY | User Define Logic Port 1 and 0 Priority | 590 | R/W | 0E6 | 000 | |
| USER_PORT3:2_PRIORITY | User Define Logic Port 3 and 2 Priority | 591 | R/W | 0E7 | 000 | |
| USER_PORT5:4_PRIORITY | User Define Logic Port 5 and 4 Priority | 592 | R/W | 0E8 | 000 | |

| Register | Description | CPU Addr (Hex) | R/W | I ² C Addr (Hex) | Default | Notes |
|-------------------------------------|--------------------------------------------|----------------|-----|-----------------------------|---------|-------|
| USER_PORT7:6_PRIORITY | User Define Logic Port 7 and 6 Priority | 593 | R/W | 0E9 | 000 | |
| USER_PORT_ENABLE | User Define Logic Port Enable | 594 | R/W | 0EA | 000 | |
| WLPP10 | Well known Logic Port Priority for 1 and 0 | 595 | R/W | 0EB | 000 | |
| WLPP32 | Well known Logic Port Priority for 3 and 2 | 596 | R/W | 0EC | 000 | |
| WLPP54 | Well known Logic Port Priority for 5 and 4 | 597 | R/W | 0ED | 000 | |
| WLPP76 | Well-known Logic Port Priority for 7 & 6 | 598 | R/W | 0EE | 000 | |
| WLPE | Well known Logic Port Enable | 599 | R/W | 0EF | 000 | |
| RLOWL | User Define Range Low Bit7:0 | 59A | R/W | 0F4 | 000 | |
| RLOWH | User Define Range Low Bit 15:8 | 59B | R/W | 0F5 | 000 | |
| RHIGHL | User Define Range High Bit 7:0 | 59C | R/W | 0D3 | 000 | |
| RHIGHH | User Define Range High Bit 15:8 | 59D | R/W | 0D4 | 000 | |
| RPRIORITY | User Define Range Priority | 59E | R/W | 0D5 | 000 | |
| MISC Configuration Registers | | | | | | |
| MII_OP0 | MII Register Option 0 | 600 | R/W | 0F0 | 000 | |
| MII_OP1 | MII Register Option 1 | 601 | R/W | 0F1 | 000 | |
| FEN | Feature Registers | 602 | R/W | 0F2 | 010 | |
| MIIC0 | MII Command Register 0 | 603 | R/W | N/A | 000 | |
| MIIC1 | MII Command Register 1 | 604 | R/W | N/A | 000 | |
| MIIC2 | MII Command Register 2 | 605 | R/W | N/A | 000 | |
| MIIC3 | MII Command Register 3 | 606 | R/W | N/A | 000 | |
| MIID0 | MII Data Register 0 | 607 | RO | N/A | N/A | |
| MIID1 | MII Data Register 1 | 608 | RO | N/A | N/A | |
| LED | LED Control Register | 609 | R/W | 0F3 | 000 | |
| SUM | EEPROM Checksum Register | 60B | R/W | 0FF | 000 | |
| Port Mirroring Controls | | | | | | |
| MIRROR1_SRC | Port Mirror 1 Source Port | 700 | R/W | N/A | 07F | |

| Register | Description | CPU Addr (Hex) | R/W | I ² C Addr (Hex) | Default | Notes |
|--------------------------------------|--------------------------------------|----------------|-----|-----------------------------|---------|-------|
| MIRROR1_DEST | Port Mirror 1 Destination Port | 701 | R/W | N/A | 017 | |
| MIRROR2_SRC | Port Mirror 2 Source Port | 702 | R/W | N/A | OFF | |
| MIRROR2_DEST | Port Mirror 2 Destination Port | 703 | R/W | N/A | 000 | |
| Device Configuration Register | | | | | | |
| GCR | Global Control Register | F00 | R/W | N/A | 000 | |
| DCR | Device Status and Signature Register | F01 | RO | N/A | N/A | |
| DCR1 | Chip status | F02 | RO | N/A | N/A | |
| DPST | Device Port Status Register | F03 | R/W | N/A | 000 | |
| DTST | Data read back register | F04 | RO | N/A | N/A | |
| DA | DA Register | FFF | RO | N/A | DA | |

12.2 Group 0 Address MAC Ports Group

12.2.1 ECR1Pn: Port N Control Register

- I²C Address 000-018; CPU Address:0000+2xN (N = port number)
- Accessed by serial interface and I²C (R/W)

| | | | | | | | |
|----------|------|-----------|---|---|---|---|---|
| 7 | 6 | 5 | 4 | 3 | 2 | 1 | 0 |
| Sp State | A-FC | Port Mode | | | | | |

Bit [0] 1 - Flow Control Off
 0 - Flow Control On

- When Flow Control On:
 - In half duplex mode, the MAC transmitter applies back pressure for flow control

In full duplex mode, the MAC transmitter sends Flow Control frames when necessary. The MAC receiver interprets and processes incoming flow control frames. The Flow Control Frame Received counter is incremented whenever a flow control is received.

- When Flow Control off:
 - In half duplex mode, the MAC Transmitter does not assert flow control by sending flow control frames or jamming collision.
 - In full duplex mode, the Mac transmitter does not send flow control frames. The MAC receiver does not interpret or process the flow control frames. The Flow Control Frame Received counter is not incremented.

Bit [1] 1 - Half Duplex - Only 10/100 mode
 0 - Full Duplex

- Bit [2] 1 - 10 Mbps
 0 - 100 Mbps
- Bit [4:3] • 00 - Automatic Enable Auto Neg. This enables hardware state machine for auto-negotiation.
 • 01 - Limited Disable auto Neg. This disables hardware for speed auto-negotiation. Poll MII for link status.
 • 10 - Link Down. Disable auto Neg. state machine and force link down (disable the port)
 • 11 - Link Up. User ERC1 [2:0] for config.
- Bit [5] • Asymmetric Flow Control Enable
 • 0 - Disable asymmetric flow control
 • 1 - Enable asymmetric flow control
 • Asymmetric Flow Control Enable. When this bit is set and flow control is on (bit [0] = 0, don't send out a flow control frame. But MAC receiver interprets and process flow control frames. Default is 0
- Bit [7:6] SS - Spanning tree state Default is 11
 00 – Blocking: Frame is dropped
 01 - Listening: Frame is dropped
 10 - Learning: Frame is dropped. Source MAC address is learned.
 11 - Forwarding: Frame is forwarded. Source MAC address is learned.

12.2.2 ECR2Pn: Port N Control Register

- I²C Address: 01B-035; CPU Address:0001+2xN
- Accessed by and serial interface and I²C (R/W)

| 7 | 6 | 5 | 4 | 3 | 2 | 1 | 0 |
|---|---|---------|---------|------|-----|------|---|
| | | QoS Sel | Reserve | DisL | Ftf | Futf | |

- Bit [0]: • Filter untagged frame (**Default 0**)
 • 0: Disable
 • 1: All untagged frames from this port are discarded
- Bit [1]: • Filter Tag frame (**Default 0**)
 • 0: Disable
 • 1: All tagged frames from this port are discarded
- Bit [2]: • Learning Disable (**Default 0**)
 • 1 Learning is disabled on this port
 • 0 Learning is enabled on this port
- Bit [3]: • Must be set to '1'

- Bit [5:4:]
- QoS mode selection (Default 00)
 - Determines which of the 4 sets of QoS settings is used for 10/100 ports.
 - Note that there are 4 sets of per-queue byte thresholds, and 4 sets of WFQ ratios programmed. These bits select among the 4 choices for each 10/100 port. Refer to QoS Application Note.
 - 00: select class byte limit set 0 and classes WFQ credit set 0
 - 01: select class byte limit set 1 and classes WFQ credit set 1
 - 10: select class byte limit set 2 and classes WFQ credit set 2
 - 11: select class byte limit set 3 and classes WFQ credit set 3
- Bit [7:6] Reserved

12.3 Group 1 Address VLAN Group

12.3.1 AVTCL – VLAN Type Code Register Low

- I²C Address 036; CPU Address:h100
- Accessed by serial interface and I²C (R/W)

Bit [7:0]:

- LANType_LOW: Lower 8 bits of the VLAN type code (Default 00)

12.3.2 AVTCH – VLAN Type Code Register High

- I²C Address 037; CPU Address:h101
- Accessed by serial interface and I²C (R/W)

Bit [7:0]:

- VLANType_HIGH: Upper 8 bits of the VLAN type code (Default is 81)

12.3.3 PVMAP00_0 – Port 00 Configuration Register 0

- I²C Address 038, CPU Address:h102)
- Accessed by serial interface and I²C (R/W)

Bit [7:0]:

- VLAN Mask for ports 7 to 0 (Default FF)

This register indicates the legal egress ports. A “1” on bit 7 means that the packet can be sent to port 7. A “0” on bit 7 means that any packet destined to port 7 will be discarded. This register works with registers 1 and 2 to form a 24-bit mask to all egress ports.

12.3.4 PVMAP00_1 – Port 00 Configuration Register 1

- I²C Address h53, CPU Address:h103
- Accessed by serial interface and I²C (R/W)

Bit [7:0]:

- VLAN Mask for ports 15 to 8 (Default is FF)

12.3.5 PVMAP00_2 – Port 00 Configuration Register 2

- I²C Address h6E, CPU Address:h104
- Accessed by serial interface and I²C (R/W)

Bit [7:0]: • VLAN Mask for ports 23 to 16 (Default FF)

12.3.6 PVMAP00_3 – Port 00 Configuration Register 3

- I²C Address h89, CPU Address:h105)
- Accessed by serial interface and I²C (R/W)

| | | | | | |
|-------|------|---------------------|---|---|---|
| 7 | 6 | 5 | 3 | 2 | 0 |
| FP en | Drop | Default tx priority | | | |

Bit [2:0]: Reserved (Default 7)

Bit [5:3]: Default Transmit priority. Used when Bit [7] = 1 (**Default 0**)

- 000 Transmit Priority Level 0 (Lowest)
- 001 Transmit Priority Level 1
- 010 Transmit Priority Level 2
- 011 Transmit Priority Level 3
- 100 Transmit Priority Level 4
- 101 Transmit Priority Level 5
- 110 Transmit Priority Level 6
- 111 Transmit Priority Level 7 (Highest)

Bit [6]: Default Discard priority (**Default 0**)

- 0 – Discard Priority Level 0 (Lowest)
- 1 – Discard Priority Level 7(Highest)

Bit [7]: Enable Fix Priority (**Default 0**)

- 0 Disable fix priority. All frames are analyzed. Transmit Priority and Discard Priority are based on VLAN Tag, TOS field or Logical Port.
- 1 Transmit Priority and Discard Priority are based on values programmed in bit [6:3]

12.4 Port Configuration Register

- **PVMAP01_0,1,2,3** I²C Address h39,54,6F,8A; CPU Address:h106,107,108,109)
- **PVMAP02_0,1,2,3** I²C Address h3A,55,70,8B; CPU Address:h10A, 10B, 10C, 10D)
- **PVMAP03_0,1,2,3** I²C Address h3B,56,71,8C; CPU Address:h10E, 10F, 110, 111)
- **PVMAP04_0,1,2,3** I²C Address h3C,57,72,8D; CPU Address:h112, 113, 114, 115)
- **PVMAP05_0,1,2,3** I²C Address h3D,58,73,8E; CPU Address:h116, 117, 118, 119)
- **PVMAP06_0,1,2,3** I²C Address h3E,59,74,8F; CPU Address:h11A, 11B, 11C, 11D)
- **PVMAP07_0,1,2,3** I²C Address h3F,5A,75,90; CPU Address:h11E, 11F, 120, 121)
- **PVMAP08_0,1,2,3** I²C Address h40,5B,76,91; CPU Address:h122, 123, 124, 125)
- **PVMAP09_0,1,2,3** I²C Address h41,5C,77,92; CPU Address:h126, 127, 128, 129)
- **PVMAP10_0,1,2,3** I²C Address h42,5D,78,93; CPU Address:h12A, 12B, 12C, 12D)
- **PVMAP11_0,1,2,3** I²C Address h43,5E,79,94; CPU Address:h12E, 12F, 130, 131)
- **PVMAP12_0,1,2,3** I²C Address h44,5F,7A,95; CPU Address:h132, 133, 134, 135)

- **PVMAP13_0,1,2,3** I²C Address h45,60,7B,96; CPU Address:h136, 137, 138, 139)
- **PVMAP14_0,1,2,3** I²C Address h46,61,7C,97; CPU Address:h13A, h13B, 13C, 13D)
- **PVMAP15_0,1,2,3** I²C Address h47,62,7D,98; CPU Address:h13E, 13F, 140, 141)
- **PVMAP16_0,1,2,3** I²C Address h48,63,7E,99; CPU Address:h142, 143, 144, 145)
- **PVMAP17_0,1,2,3** I²C Address h49,64,7F,9A; CPU Address:h146, 147, 148, 149)
- **PVMAP18_0,1,2,3** I²C Address h4A,65,80,9B; CPU Address:h14A, 14B, 14C, 14D)
- **PVMAP19_0,1,2,3** I²C Address h4B,66,81,9C; CPU Address:h14E, 14F, 150, 151)
- **PVMAP20_0,1,2,3** I²C Address h4C,67,82,9D; CPU Address:h152, 153, 154, 155)
- **PVMAP21_0,1,2,3** I²C Address h4D,68,83,9E; CPU Address:h156, 157, 158, 159)
- **PVMAP22_0,1,2,3** I²C Address h4E,69,84,9F; CPU Address:h15A, 15B, 15C, 15D)
- **PVMAP23_0,1,2,3** I²C Address h4F,6A,85,A0; CPU Address:h15E, 15F, 160, 161)

12.4.1 PVMODE

- I²C Address: h0A4, CPU Address:h170
- Accessed by serial interface, and I²C (R/W)

| | | | | | | |
|---|-----|---|----|----|---|---|
| 7 | 5 | 4 | 3 | 2 | 1 | 0 |
| | SM0 | | DF | SL | | |

- Bit [0]:
- Reserved
 - Must be '0'
- Bit [1]:
- Slow learning
 - Same function as SE_OP MODE bit 7. Either bit can enable the function; both need to be turned off to disable the feature.
- Bit [2]:
- Disable dropping of frames with destination MAC addresses 0180C2000001 to 0180C200000F (Default = 0)
 - 0: Drop all frames in this range
 - 1: Disable dropping of frames in this range
- Bit [3]:
- Reserved
- Bit [4]:
- Support MAC address 0
 - 0: MAC address 0 is not learned.
 - 1: MAC address 0 is learned.
- Bit [7:5]:
- Reserved

12.5 Group 2 Address Port Trunking Group

12.5.1 TRUNK0_MODE– Trunk group 0 mode

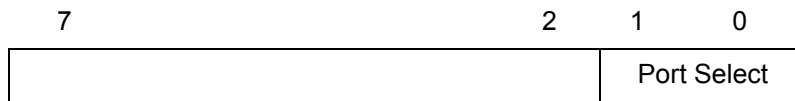
- I²C Address h0A5; CPU Address:203
- Accessed by serial interface and I²C (R/W)

| | | | | | |
|---|---|-------------|---|-------------|---|
| 7 | 4 | 3 | 2 | 1 | 0 |
| | | Hash Select | | Port Select | |

- Bit [1:0]:
- Port selection in unmanaged mode. Input pin TRUNK0 enable/disable trunk group 0.
 - 00 Reserved
 - 01 Port 0 and 1 are used for trunk0
 - 10 Port 0,1 and 2 are used for trunk0
 - 11 Port 0,1,2 and 3 are used for trunk0
- Bit [3:2]
- Hash Select. The Hash selected is valid for Trunk 0, 1 and 2. (Default 00)
 - 00 Use Source and Destination Mac Address for hashing
 - 01 Use Source Mac Address for hashing
 - 10 Use Destination Mac Address for hashing
 - 11 Use source destination MAC address and ingress physical port number for hashing

12.5.2 TRUNK1_MODE – Trunk group 1 mode

- I²C Address h0A6; CPU Address:20B
- Accessed by serial interface and I²C (R/W)

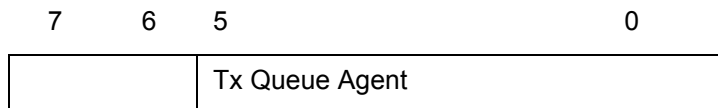


- Bit [1:0]:
- Port selection in unmanaged mode. Input pin TRUNK1 enable/disable trunk group 1.
 - 00 Reserved
 - 01 Port 4 and 5 are used for trunk1
 - 10 Reserved
 - 11 Port 4, 5, 6 and 7 are used for trunk1

12.6 Group 4 Address Search Engine Group

12.6.1 TX_AGE – Tx Queue Aging timer

- I²C Address: h07;CPU Address:h325
- Accessed by serial interface (RW)



- Bit [5:0]: Unit of 100 ms (Default 8)
- Disable transmission queue aging if value is zero. Aging timer for all ports and queues.
- For no packet loss flow control, this register must be set to 0

12.6.2 AGETIME_LOW – MAC address aging time Low

- I²C Address h0A8; CPU Address:h400
- Accessed by serial interface and I²C (R/W)
- Bit [7:0] Low byte of the MAC address aging timer
- MAC address aging is enable/disable by boot strap TSTOUT9

12.6.3 AGETIME_HIGH –MAC address aging time High

- I²C Address h0A9; CPU Address h401
- Accessed by serial interface and I²C (R/W)
- Bit [7:0]: High byte of the MAC address aging timer
- The default setting provide 300 seconds aging time. Aging time is based on the following equation:
- {AGETIME_TIME,AGETIME_LOW} X (# of MAC address entries in the memory x 100 μsec). Number of MAC entries = 32 K when 1 MB is used. Number of MAC entries = 64 K when 2 MB is used.

12.6.4 SE_OPMODE – Search Engine Operation Mode

- CPU Address:h403
- Accessed by serial interface (R/W)
- {SE_OPMODE} X(# of entries 100 usec)

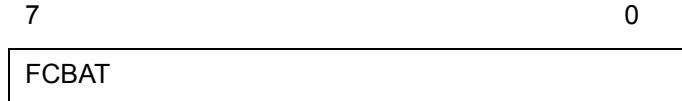
| | | | |
|----|-----|---|---|
| 7 | 6 | 5 | 0 |
| SL | DMS | | |

- Bit [5:0]:
- Reserved
- Bit [6]:
- Disable MCT speedup aging
 - 1 – Disable speedup aging when MCT resource is low
 - 0 – Enable speedup aging when MCT resource is low
- Bit [7]:
- Slow Learning
 - 1– Enable slow learning. Learning is temporary disabled when search demand is high
 - 0 – Learning is performed independent of search demand

12.7 Group 5 Address Buffer Control/QOS Group

12.7.1 FCBAT – FCB Aging Timer

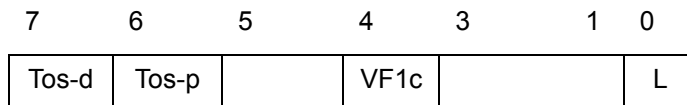
- I²C Address h0AA; CPU Address:h500



- Bit [7:0]:
- FCB Aging time. Unit of 1ms. (**Default FF**)
 - This function is for buffer aging control. It is used to configure the aging time, and can be enabled/ disabled through bootstrap pin. It is not recommended to use this function for normal operation.

12.7.2 QOSC – QOS Control

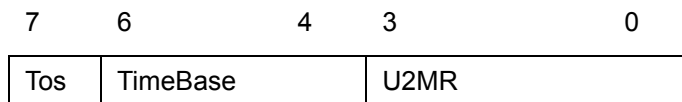
- I²C Address h0AB; CPU Address:h501
- Accessed by serial interface and I²C (R/W)



- Bit [0]:
- QoS frame lost is OK. Priority will be available for flow control enabled source only when this bit is set (**Default 0**)
- Bit [4]:
- Per VLAN Multicast Flow Control (**Default 0**)
 - 0 – Disable
 - 1 – Enable
- Bit [5]:
- Reserved
- Bit [6]:
- Select TOS bits for Priority (**Default 0**)
 - 0 - Use TOS [4:2] bits to map the transmit priority
 - 1 - Use TOS [7:5] bits to map the transmit priority
- Bit [7]:
- Select TOS bits for Drop Priority (**Default 0**)
 - 0 - Use TOS[4:2] bits to map the drop priority
 - 1 - Use TOS[7:5] bits to map the drop priority

12.7.3 FCR – Flooding Control Register

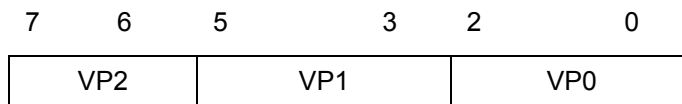
- I²C Address h0AC; CPU Address:h502
- Accessed by serial interface and I²C (R/W)



- Bit [3:0]:
- U2MR: Unicast to Multicast Rate. Units in terms of time base defined in bits [6:4]. This is used to limit the amount of flooding traffic. The value in U2MR specifies how many packets are allowed to flood within the time specified by bit [6:4]. To disable this function, program U2MR to 0. (**Default = 8**)
- Bit [6:4]:
- TimeBase:
 - 000 = 100 us**
 - 001 = 200 us**
 - 010 = 400 us**
 - 011 = 800 us**
 - 100 = 1.6 ms**
 - 101 = 3.2 ms**
 - 110 = 6.4 ms**
 - 111 = 100 us (same as 000)**
 - (Default = 000)
- Bit [7]:
- Select VLAN tag or TOS (IP packets) to be preferentially picked to map transmit priority and drop priority (**Default = 0**).
 - 0 – Select VLAN Tag priority field over TOS
 - 1 – Select TOS over VLAN tag priority field

12.7.4 AVPML – VLAN Priority Map

- I²C Address h0AD; CPU Address:h503
- Accessed by serial interface and I²C (R/W)

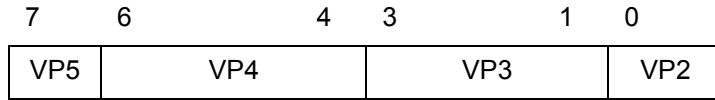


Registers AVPML, AVPMM, and AVPMH allow the eight VLAN priorities to map into eight internal level transmit priorities. Under the internal transmit priority, seven is highest priority where as zero is the lowest. This feature allows the user the flexibility of redefining the VLAN priority field. For example, programming a value of 7 into bit 2:0 of the AVPML register would map VLAN priority 0 into internal transmit priority 7. The new priority is used inside the 2601. When the packet goes out it carries the original priority.

- Bit [2:0]:
- Priority when the VLAN tag priority field is 0 (**Default 0**)
- Bit [5:3]:
- Priority when the VLAN tag priority field is 1 (**Default 0**)
- Bit [7:6]:
- Priority when the VLAN tag priority field is 2 (**Default 0**)

12.7.5 AVPMM – VLAN Priority Map

- I²C Address h0AE, CPU Address:h504
- Accessed by serial interface and I²C (R/W)

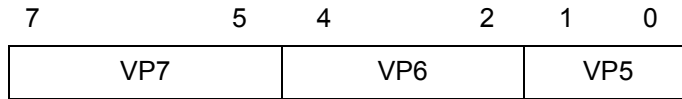


Map VLAN priority into eight level transmit priorities:

- Bit [0]: • Priority when the VLAN tag priority field is 2 **(Default 0)**
- Bit [3:1]: • Priority when the VLAN tag priority field is 3 **(Default 0)**
- Bit [6:4]: • Priority when the VLAN tag priority field is 4 **(Default 0)**
- Bit [7]: • Priority when the VLAN tag priority field is 5 **(Default 0)**

12.7.6 AVPMH – VLAN Priority Map

- I²C Address h0AF, CPU Address:h505
- Accessed by serial interface and I²C (R/W)

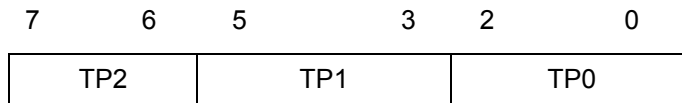


Map VLAN priority into eight level transmit priorities:

- Bit [1:0]: • Priority when the VLAN tag priority field is 5 **(Default 0)**
- Bit [4:2]: • Priority when the VLAN tag priority field is 6 **(Default 0)**
- Bit [7:5]: • Priority when the VLAN tag priority field is 7 **(Default 0)**

12.7.7 TOSPML – TOS Priority Map

- I²C Address h0B0, CPU Address:h506
- Accessed by serial interface and I²C (R/W)

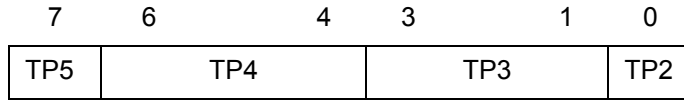


Map TOS field in IP packet into eight level transmit priorities

- Bit [2:0]: • Priority when the TOS field is 0 **(Default 0)**
- Bit [5:3]: • Priority when the TOS field is 1 **(Default 0)**
- Bit [7:6]: • Priority when the TOS field is 2 **(Default 0)**

12.7.8 TOSPM – TOS Priority Map

- I²C Address h0B1, CPU Address:h507
- Accessed by serial interface and I²C (R/W)

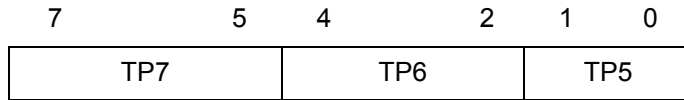


Map TOS field in IP packet into four level transmit priorities

- Bit [0]: • Priority when the TOS field is 2 (**Default 0**)
- Bit [3:1]: • Priority when the TOS field is 3 (**Default 0**)
- Bit [6:4]: • Priority when the TOS field is 4 (**Default 0**)
- Bit [7]: • Priority when the TOS field is 5 (**Default 0**)

12.7.9 TOSPMH – TOS Priority Map

- I²C Address h0B2, CPU Address:h508
- Accessed by serial interface and I²C (R/W)

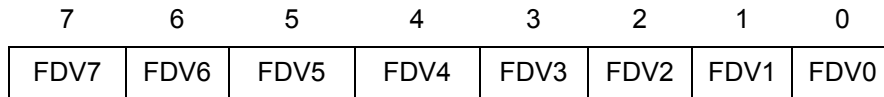


Map TOS field in IP packet into four level transmit priorities:

- Bit [1:0]: • Priority when the TOS field is 5 (**Default 0**)
- Bit [4:2]: • Priority when the TOS field is 6 (**Default 0**)
- Bit [7:5]: • Priority when the TOS field is 7 (**Default 0**)

12.7.10 AVDM – VLAN Discard Map

- I²C Address h0B3, CPU Address:h509
- Accessed by serial interface and I²C (R/W)



Map VLAN priority into frame discard when low priority buffer usage is above threshold

- Bit [0]: • Frame drop priority when VLAN tag priority field is 0 (**Default 0**)
- Bit [1]: • Frame drop priority when VLAN tag priority field is 1 (**Default 0**)
- Bit [2]: • Frame drop priority when VLAN tag priority field is 2 (**Default 0**)
- Bit [3]: • Frame drop priority when VLAN tag priority field is 3 (**Default 0**)
- Bit [4]: • Frame drop priority when VLAN tag priority field is 4 (**Default 0**)
- Bit [5]: • Frame drop priority when VLAN tag priority field is 5 (**Default 0**)

- Bit [6]: • Frame drop priority when VLAN tag priority field is 6 **(Default 0)**
- Bit [7]: • Frame drop priority when VLAN tag priority field is 7 **(Default 0)**

12.7.11 TOSDML – TOS Discard Map

- I²C Address h0B4, CPU Address:h50A
- Accessed by serial interface and I²C (R/W)

| | | | | | | | |
|------|------|------|------|------|------|------|------|
| 7 | 6 | 5 | 4 | 3 | 2 | 1 | 0 |
| FDT7 | FDT6 | FDT5 | FDT4 | FDT3 | FDT2 | FDT1 | FDT0 |

Map TOS into frame discard when low priority buffer usage is above threshold

- Bit [0]: • Frame drop priority when TOS field is 0 **(Default 0)**
- Bit [1]: • Frame drop priority when TOS field is 1 **(Default 0)**
- Bit [2]: • Frame drop priority when TOS field is 2 **(Default 0)**
- Bit [3]: • Frame drop priority when TOS field is 3 **(Default 0)**
- Bit [4]: • Frame drop priority when TOS field is 4 **(Default 0)**
- Bit [5]: • Frame drop priority when TOS field is 5 **(Default 0)**
- Bit [6]: • Frame drop priority when TOS field is 6 **(Default 0)**
- Bit [7]: • Frame drop priority when TOS field is 7 **(Default 0)**

12.7.12 BMRC - Broadcast/Multicast Rate Control

- I²C Address h0B5, CPU Address:h50B)
- Accessed by serial interface and I²C (R/W)

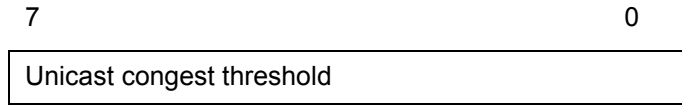
| | | | |
|----------------|---|----------------|---|
| 7 | 4 | 3 | 0 |
| Broadcast Rate | | Multicast Rate | |

- This broadcast and multicast rate defines for each port the number of packet allowed to be forwarded within a specified time. Once the packet rate is reached, packets will be dropped. To turn off the rate limit, program the field to 0. Timebase is based on register 502 [6:4].

- Bit [3:0] : • Multicast Rate Control Number of multicast packets allowed within the time defined in bits 6 to 4 of the Flooding Control Register (FCR). **(Default 0)**.
- Bit [7:4] : • Broadcast Rate Control Number of broadcast packets allowed within the time defined in bits 6 to 4 of the Flooding Control Register (FCR). **(Default 0)**

12.7.13 UCC – Unicast Congestion Control

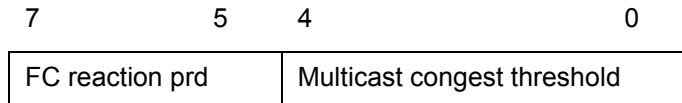
- I²C Address h0B6, CPU Address: 50C
- Accessed by serial interface and I²C (R/W)



- Bit [7:0] :
- Number of frame count. Used for best effort dropping at B% when destination port's best effort queue reaches UCC threshold and shared pool is all in use. Granularity 1 frame. (Default: h10 for 2 MB or h08 for 1 MB)

12.7.14 MCC – Multicast Congestion Control

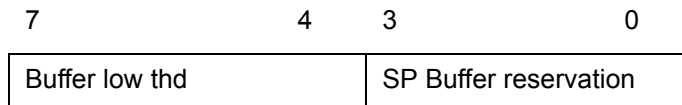
- I²C Address h0B7, CPU Address: 50D
- Accessed by serial interface and I²C (R/W)



- Bit [4:0]:
- In multiples of two. Used for triggering MC flow control when destination multicast port's best effort queue reaches MCC threshold. (Default 0x10)
- Bit [7:5]:
- Flow control reaction period (Default 2) Granularity 4 uSec.

12.7.15 PR100 – Port Reservation for 10/100 ports

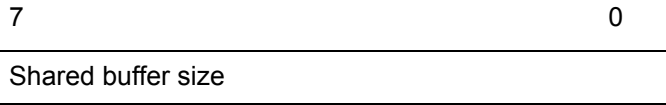
- I²C Address h0B8, CPU Address 50E
- Accessed by serial interface and I²C (R/W)



- Bit [3:0]:
- Per port buffer reservation.
 - Define the space in the FDB reserved for each 10/100 port. Expressed in multiples of 4 packets. For each packet 1536 bytes are reserved in the memory.
- Bits [7:4]:
- Expressed in multiples of 4 packets. Threshold for dropping all best effort frames when destination port best efforts queues reach UCC threshold and shared pool all used and source port reservation is at or below the PR100[7:4] level. Also the threshold for initiating UC flow control.
 - Default:
 - h58 for configuration with 2 MB;
 - h35 for configuration with 1 MB;

12.7.16 SFCB – Share FCB Size

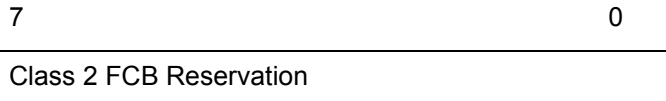
- I²C Address h0BA), CPU Address 510
- Accessed by serial interface and I²C (R/W)



- Bits [7:0]:
- Expressed in multiples of 4 packets. Buffer reservation for shared pool.
 - Default:
 - hE6 for configuration with memory of 2 MB;
 - h46 for configuration with memory of 1 MB;

12.7.17 C2RS – Class 2 Reserve Size

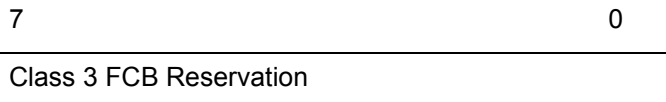
- I²C Address h0BB, CPU Address 511
- Accessed by serial interface and I²C (R/W)



- Buffer reservation for class 2 (third lowest priority). Granularity 1. **(Default 0)**

12.7.18 C3RS – Class 3 Reserve Size

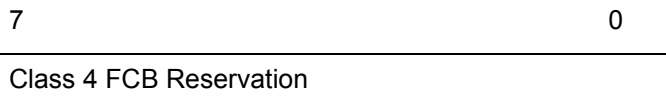
- I²C Address h0BC, CPU Address 512
- Accessed by serial interface and I²C (R/W)



- Buffer reservation for class 3. Granularity 1. **(Default 0)**

12.7.19 C4RS – Class 4 Reserve Size

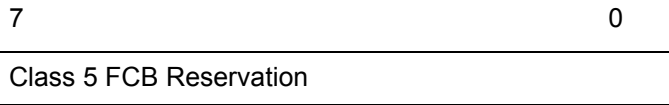
- I²C Address h0BD, CPU Address 513
- Accessed by serial interface and I²C (R/W)



- Buffer reservation for class 4. Granularity 1. **(Default 0)**

12.7.20 C5RS – Class 5 Reserve Size

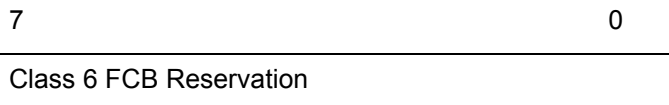
- I²C Address h0BE; CPU Address 514
- Accessed by serial interface and I²C (R/W)



- Buffer reservation for class 5. Granularity 1. **(Default 0)**

12.7.21 C6RS – Class 6 Reserve Size

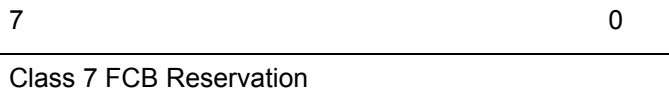
- I²C Address h0BF; CPU Address 515
- Accessed by serial interface and I²C (R/W)



- Buffer reservation for class 6 (second highest priority). Granularity 1. **(Default 0)**

12.7.22 C7RS – Class 7 Reserve Size

- I²C Address h0C0; CPU Address 516
- Accessed by serial interface and I²C (R/W)



- Buffer reservation for class 7 (highest priority). Granularity 1. **(Default 0)**

12.7.23 Classes Byte Limit Set 0

- Accessed by serial interface and I²C (R/W):
 - C — QOSC00 – BYTE_C01 (I²C Address h0C1, CPU Address 517)
 - B — QOSC01 – BYTE_C02 (I²C Address h0C2, CPU Address 518)
 - A — QOSC02 – BYTE_C03 (I²C Address h0C3, CPU Address 519)

QOSC00 through QOSC02 represents one set of values A-C for a 10/100 port when using the Weighted Random Early Drop (WRED) Scheme described in Chapter 7.7. There are four such sets of values A-C specified in Classes Byte Limit Set 0, 1, 2 and 3.

Each 10/ 100 port can choose one of the four Byte Limit Sets as specified by the QoS Select field located in bits 5 to 4 of the ECR2n register. The values A-C are per-queue byte thresholds for random early drop. QOSC02 represents A and QOSC00 represents C.

Granularity when Delay bound is used: QOSC02: 128 bytes, QOSC01: 256 bytes. QOSC00: 512 bytes.
Granularity when WFQ is used: QOSC02: 512 bytes, QOSC01: 512 bytes, QOSC00: 512 bytes.

12.7.24 Classes Byte Limit Set 1

- Accessed by serial interface and I²C (R/W):
 - C - QOSC03 – BYTE_C11 (I²C Address h0C4, CPU Address 51a)
 - B - QOSC04 – BYTE_C12 (I²C Address h0C5, CPU Address 51b)
 - A - QOSC05 – BYTE_C13 (I²C Address h0C6, CPU Address 51c)

QOSC03 through QOSC05 represents one set of values A-C for a 10/100 port when using the Weighted Random Early Detect (WRED) Scheme.

Granularity when Delay bound is used: QOSC05: 128 bytes, QOSC04: 256 bytes. QOSC03: 512 bytes.
Granularity when WFQ is used: QOSC05: 512 bytes, QOSC04: 512 bytes, QOSC03: 512 bytes.

12.7.25 Classes Byte Limit Set 2

- Accessed by serial interface and I²C (R/W):
 - C - QOSC06 – BYTE_C21 (CPU Address 51d)
 - B - QOSC07 – BYTE_C22 (CPU Address 51e)
 - A - QOSC08 – BYTE_C23 (CPU Address 51f)

QOSC06 through QOSC08 represents one set of values A-C for a 10/100 port when using the Weighted Random Early Detect (WRED) Scheme.

Granularity when Delay bound is used: QOSC08: 128 bytes, QOSC07: 256 bytes. QOSC06: 512 bytes.
Granularity when WFQ is used: QOSC08: 512 bytes, QOSC07: 512 bytes, QOSC06: 512 bytes.

12.7.26 Classes Byte Limit Set 3

- Accessed by serial interface and I²C (R/W):
 - C - QOSC09 – BYTE_C31 (CPU Address 520)
 - B - QOSC10 – BYTE_C32 (CPU Address 521)
 - A - QOSC11 – BYTE_C33 (CPU Address 522)

QOSC09 through QOSC011 represents one set of values A-C for a 10/100 port when using the Weighted Random Early Detect (WRED) Scheme.

Granularity when Delay bound is used: QOSC11: 128 bytes, QOSC10: 256 bytes. QOSC09: 512 bytes.
Granularity when WFQ is used: QOSC11: 512 bytes, QOSC10: 512 bytes, QOSC09: 512 bytes.

12.7.27 Classes WFQ Credit Set 0

- Accessed by serial interface (R/W)
 - W0 - QOSC24[5:0] – CREDIT_C00 (CPU Address 52f)
 - W1 - QOSC25[5:0] – CREDIT_C01 (CPU Address 530)
 - W2 - QOSC26[5:0] – CREDIT_C02 (CPU Address 531)
 - W3 - QOSC27[5:0] – CREDIT_C03 (CPU Address 532)

QOSC24 through QOSC27 represents one set of WFQ parameters for a 10/100 port. There are four such sets of values. The granularity of the numbers is 1 and their sum must be 64. QOSC27 corresponds to W3 and QOSC24 corresponds to W0.

QOSC24[7:6]: Priority service type for the ports select this parameter set. Option 1 to 4.

QOSC25[7]: Priority service allow flow control for the ports select this parameter set.

QOSC25[6]: Flow control pause best effort traffic only

Both flow control allow and flow control best effort only can take effect only the priority type is WFQ.

12.7.28 Classes WFQ Credit Set 1

- Accessed by serial interface (R/W)
 - W0 - QOSC28[5:0] – CREDIT_C10 (CPU Address 533)
 - W1 - QOSC29[5:0] – CREDIT_C11 (CPU Address 534)
 - W2 - QOSC30[5:0] – CREDIT_C12 (CPU Address 535)
 - W3 - QOSC31[5:0] – CREDIT_C13 (CPU Address 536)

QOSC28 through QOSC31 represents one set of WFQ parameters for a 10/100 port. There are four such sets of values. The granularity of the numbers is 1 and their sum must be 64. QOSC31 corresponds to W3 and QOSC28 corresponds to W0.

QOSC28[7:6]: Priority service type for the ports select this parameter set. Option 1 to 4.

QOSC29[7]: Priority service allow flow control for the ports select this parameter set.

QOSC29[6]: Flow control pause best effort traffic only

12.7.29 Classes WFQ Credit Set 2

- Accessed by serial interface (R/W)
 - W0 - QOSC32[5:0] – CREDIT_C20 (CPU Address 537)
 - W1 - QOSC33[5:0] – CREDIT_C21 (CPU Address 538)
 - W2 - QOSC34[5:0] – CREDIT_C22 (CPU Address 539)
 - W3 - QOSC35[5:0] – CREDIT_C23 (CPU Address 53a)

QOSC35 through QOSC32 represents one set of WFQ parameters for a 10/100 port. There are four such sets of values. The granularity of the numbers is 1 and their sum must be 64. QOSC35 corresponds to W3 and QOSC32 corresponds to W0.

QOSC32[7:6]: Priority service type for the ports select this parameter set. Option 1 to option 4.

QOSC33[7]: Priority service allow flow control for the ports select this parameter set.

QOSC33[6]: Flow Control pause best effort traffic only

12.7.30 Classes WFQ Credit Set 3

- Accessed by serial interface (R/W)
 - W0 - QOSC36[5:0] – CREDIT_C30 (CPU Address 53b)
 - W1 - QOSC37[5:0] – CREDIT_C31 (CPU Address 53c)
 - W2 - QOSC38[5:0] – CREDIT_C32 (CPU Address 53d)
 - W3 - QOSC39[5:0] – CREDIT_C33 (CPU Address 53e)

QOSC39 through QOSC36 represents one set of WFQ parameters for a 10/100 port. There are four such sets of values. The granularity of the numbers is 1 and their sum must be 64. QOSC39 corresponds to W3 and QOSC36 corresponds to W0.

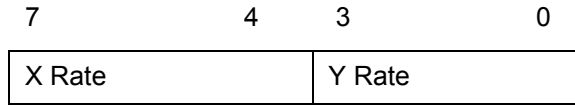
QOSC36[7:6]: Priority service type for the ports select this parameter set. Option 1 to option 4.

QOSC37[7]: Priority service allow flow control for the ports select this parameter set.

QOSC37[6]: Flow Control pause best effort traffic only

12.7.31 RDRC0 – WRED Rate Control 0

- I²C Address 0FB, CPU Address 553
- Accessed by serial Interface and I²C (R/W)



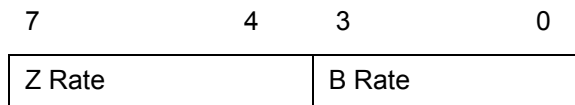
Bits [7:4]: • Corresponds to the frame drop percentage X% for WRED. Granularity 6.25%.

Bits [3:0]: • Corresponds to the frame drop percentage Y% for WRED. Granularity 6.25%.

See Programming QoS Registers application note for more information.

12.7.32 RDRC1 – WRED Rate Control 1

- I²C Address 0FC, CPU Address 554
- Accessed by serial Interface and I²C (R/W)



Bits [7:4]: • Corresponds to the frame drop percentage Z% for WRED. Granularity 6.25%.

Bits [3:0]: • Corresponds to the best effort frame drop percentage B%, when shared pool is all in use and destination port best effort queue reaches UCC. Granularity 6.25%.

See Programming QoS Register Application Note for more information.

12.7.33 User Defined Logical Ports and Well Known Ports

The MVTX2601 supports classifying packet priority through layer 4 logical port information. It can be setup by 8 Well Known Ports, 8 User Defined Logical Ports and 1 User Defined Range. The 8 Well Known Ports supported are:

- 0:23
- 1:512
- 2:6000
- 3:443
- 4:111
- 5:22555
- 6:22
- 7:554

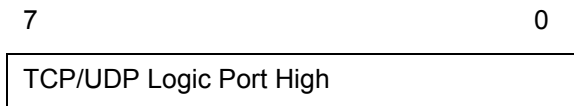
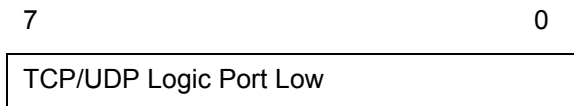
Their respective priority can be programmed via Well_Known_Port [7:0] priority register. Well_Known_Port_Enable can individually turn on/off each Well Known Port if desired.

Similarly, the User Defined Logical Port provides the user programmability to the priority, plus the flexibility to select specific logical ports to fit the applications. The 8 User Logical Ports can be programmed via User_Port 0-7 registers. Two registers are required to be programmed for the logical port number. The respective priority can be programmed to the User_Port [7:0] priority register. The port priority can be individually enabled/disabled via User_Port_Enable register.

The User Defined Range provides a range of logical port numbers with the same priority level. Programming is similar to the User Defined Logical Port. Instead of programming a fixed port number, an upper and lower limit need to be programmed, they are: {RHIGHH, RHIGHL} and {RLOWH, RLOWL} respectively. If the value in the upper limit is smaller or equal to the lower limit, the function is disabled. Any IP packet with a logical port that is less than the upper limit and more than the lower limit will use the priority specified in RRIORITY.

12.7.33.1 USER_PORT0_(0~7) – User Define Logical Port (0~7)

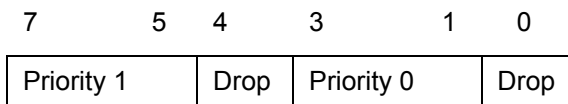
- USER_PORT_0 - I²C Address h0D6 + 0DE; CPU Address 580(Low) + 581(High)
- USER_PORT_1 - I²C Address h0D7 + 0DF; CPU Address 582 + 583
- USER_PORT_2 - I²C Address h0D8 + 0E0; CPU Address 584 + 585
- USER_PORT_3 - I²C Address h0D9 + 0E1; CPU Address 586 + 587
- USER_PORT_4 - I²C Address h0DA + 0E2; CPU Address 588 + 589
- USER_PORT_5 - I²C Address h0DB + 0E3; CPU Address 58a + 58b
- USER_PORT_6 - I²C Address h0DC + 0E4; CPU Address 58c + 58d
- USER_PORT_7 - I²C Address h0DD + 0E5; CPU Address 58e + 58f
- Accessed by serial interface and I²C (R/W)



- (Default 00) This register is duplicated eight times from PORT 0 through PORT 7 and allows the definition of eight separate ports.

12.7.33.2 USER_PORT_[1:0]_PRIORITY - User Define Logic Port 1 and 0 Priority

- I²C Address h0E6, CPU Address 590
- Accessed by serial interface and I²C (R/W)



- The chip allows the definition of the priority

- Bits [3:0]: • Priority setting, transmission + dropping, for logic port 0
- Bits [7:4]: • Priority setting, transmission + dropping, for logic port 1 (Default 00)

12.7.33.3 USER_PORT_[3:2]_PRIORITY - User Define Logic Port 3 and 2 Priority

- I²C Address h0E7, CPU Address 591
- Accessed by serial interface and I²C (R/W)

| | | | | | |
|------------|------|------------|------|---|---|
| 7 | 5 | 4 | 3 | 1 | 0 |
| Priority 3 | Drop | Priority 2 | Drop | | |

12.7.33.4 USER_PORT_[5:4]_PRIORITY - User Define Logic Port 5 and 4 Priority

- I²C Address h0E8, CPU Address 592
- Accessed by serial interface and I²C (R/W)

| | | | | | |
|------------|------|------------|------|---|---|
| 7 | 5 | 4 | 3 | 1 | 0 |
| Priority 5 | Drop | Priority 4 | Drop | | |

- (Default 00)

12.7.33.5 USER_PORT_[7:6]_PRIORITY - USER DEFINE LOGIC PORT 7 AND 6 PRIORITY

- I²C Address h0E9, CPU Address 593
- Accessed by serial interface and I²C (R/W)

| | | | | | | | |
|------------|------|------------|------|---|--|---|---|
| 7 | | 5 | 4 | 3 | | 1 | 0 |
| Priority 7 | Drop | Priority 6 | Drop | | | | |

- (Default 00)

12.7.33.6 USER_PORT_ENABLE [7:0] – User Define Logic 7 to 0 Port Enables

- I²C Address h0EA, CPU Address 594
- Accessed by serial interface and I²C (R/W)

| | | | | | | | |
|----|----|----|----|----|----|----|----|
| 7 | 6 | 5 | 4 | 3 | 2 | 1 | 0 |
| P7 | P6 | P5 | P4 | P3 | P2 | P1 | P0 |

- (Default 00)

12.7.33.7 WELL_KNOWN_PORT [1:0] PRIORITY- Well Known Logic Port 1 and 0 Priority

- I²C Address h0EB, CPU Address 595
- Accessed by serial interface and I²C (R/W)

| | | | | | |
|------------|------|------------|------|---|---|
| 7 | 5 | 4 | 3 | 1 | 0 |
| Priority 1 | Drop | Priority 0 | Drop | | |

- Priority 0 - Well known port 23 for telnet applications.
- Priority 1 - Well known port 512 for TCP/UDP
- (Default 00)

12.7.33.8 WELL_KNOWN_PORT [3:2] PRIORITY- Well Known Logic Port 3 and 2 Priority

- I²C Address h0EC, CPU Address 596
- Accessed by serial interface and I²C (R/W)

| | | | | | | | | | |
|------------|------|------------|------|---|--|---|--|---|---|
| | 7 | | 5 | 4 | | 3 | | 1 | 0 |
| Priority 3 | Drop | Priority 2 | Drop | | | | | | |

- Priority 2 - Well known port 6000 for XWIN.
- Priority 3 - Well known port 443 for http. sec
- (Default 00)

12.7.33.9 WELL_KNOWN_PORT [5:4] PRIORITY- Well Known Logic Port 5 and 4 Priority

- I²C Address h0ED, CPU Address 597
- Accessed by serial interface and I²C (R/W)

| | | | | | | | | | |
|------------|------|------------|------|---|--|---|--|---|---|
| | 7 | | 5 | 4 | | 3 | | 1 | 0 |
| Priority 5 | Drop | Priority 4 | Drop | | | | | | |

- Priority 4 - Well known port 111 for sun rpe.
- Priority 5 - Well known port 22555 for IP Phone call setup.
- (Default 00)

12.7.33.10 WELL_KNOWN_PORT [7:6] PRIORITY- Well Known Logic Port 7 and 6 Priority

- I²C Address h0EE, CPU Address 598
- Accessed by serial interface and I²C (R/W)

| | | | | | | | | | |
|------------|------|------------|------|---|--|---|--|---|---|
| | 7 | | 5 | 4 | | 3 | | 1 | 0 |
| Priority 7 | Drop | Priority 6 | Drop | | | | | | |

- Priority 6 - Well known port 22 for ssh.
- Priority 7 - Well known port 554 for rtsp.
- (Default 00)

12.7.33.11 WELL_KNOWN_PORT_ENABLE [7:0] – Well Known Logic 7 to 0 Port Enables

- I²C Address h0EF, CPU Address 599
- Accessed by serial interface and I²C (R/W)

| | | | | | | | | |
|----|----|----|----|----|----|----|----|---|
| | 7 | 6 | 5 | 4 | 3 | 2 | 1 | 0 |
| P7 | P6 | P5 | P4 | P3 | P2 | P1 | P0 | |

- 1 - Enable
- 0 - Disable
- Default 00)

12.7.33.12 RLOWL – User Define Range Low Bit 7:0

- I²C Address h0F4, CPU Address: 59a
- Accessed by serial interface and I²C (R/W)
- (Default 00)

12.7.33.13 RLOWH – User Define Range Low Bit 15:8

- I²C Address h0F5, CPU Address: 59b
- Accessed by serial interface and I²C (R/W)
- (Default 00)

12.7.33.14 RHIGHL – User Define Range High Bit 7:0

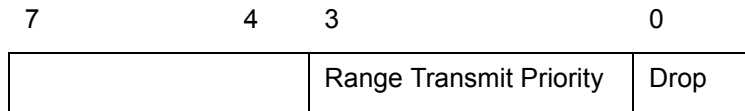
- I²C Address h0D3, CPU Address: 59c
- Accessed by serial interface and I²C (R/W)
- (Default 00)

12.7.33.15 RHIGHH – User Define Range High Bit 15:8

- I²C Address h0D4, CPU Address: 59d
- Accessed by serial interface and I²C (R/W)
- (Default 00)

12.7.33.16 RPRIORITY – User Define Range Priority

- I²C Address h0D5, CPU Address: 59e
- Accessed by serial interface and I²C (R/W)



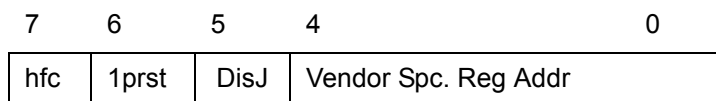
- RLOW and RHIGH form a range for logical ports to be classified with priority specified in RPRIORITY.

Bit [3:1] • Transmit Priority

Bits [0]: • Drop Priority

12.8 Group 6 Address MISC Group**12.8.1 MII_OP0 – MII Register Option 0**

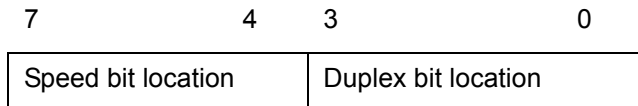
- I²C Address F0, CPU Address:h600
- Accessed by serial interface and I²C (R/W)



- Bits [7]:
 - Half duplex flow control feature
 - 0 = Half duplex flow control always enable
 - 1 = Half duplex flow control by negotiation
- Bits [6]:
 - Link partner reset auto-negotiate disable
- Bits [5]:
 - Disable jabber detection. This is for HomePNA application or any serial operation slower than 10 Mbps.
 - 1 = disable
 - 0 = enable
- Bit [4:0]:
 - Vendor specified link status register address (null value means don't use it) (Default 00); used when the Linkup bit position in the PHY is non-standard.

12.8.2 MII_OP1 – MII Register Option 1

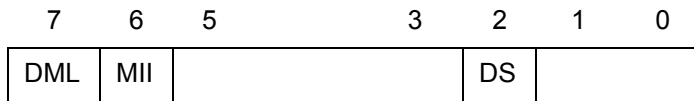
- I²C Address F1, CPU Address:h601
- Accessed by serial interface and I²C (R/W)



- Bits [3:0]:
 - Duplex bit location in vendor specified register
- Bits [7:4]:
 - Speed bit location in vendor specified register (Default 00)

12.8.3 FEN – Feature Register

- I²C Address F2, CPU Address:h602)
- Accessed by serial interface and I²C (R/W)



- Bits [1:0]:
 - Reserved **(Default 0)**
- Bit [2]:
 - Support DS EF Code. **(Default 0)**
 - When 101110 is detected in DS field (TOS [7:2]), the frame priority is set for 110 and drop is set for 0.
- Bit [5:3]:
 - Reserved **(Default 010)**
- Bit [6]:
 - Disable MII Management State Machine
 - 0: Enable MII Management State Machine **(Default 0)**
 - 1: Disable MII Management State Machine
- Bit [7]:
 - Disable using MCT link list structure
 - 0: Enable using MCT Link List structure **(Default 0)**
 - 1: Disable using MCT Link List structure

12.8.4 MIIC0 – MII Command Register 0

- CPU Address:h603
- Accessed by serial interface only (R/W)
- Bit [7:0] MII Data [7:0]

Note: Before programming MII command: set FEN[6], check MIIC3, making sure no RDY, and no VALID; then program MII command.

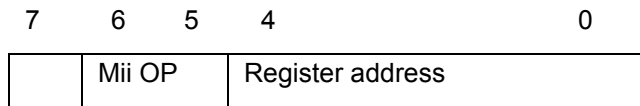
12.8.5 MIIC1 – MII Command Register 1

- CPU Address:h604
- Accessed by serial interface only (R/W)
- Bit [7:0] MII Data [15:8]

Note: Before programming MII command: set FEN[6], check MIIC3, making sure no RDY and no VALID; then program MII command.

12.8.6 MIIC2 – MII Command Register 2

- CPU Address:h605
- Accessed by serial interface only (R/W)



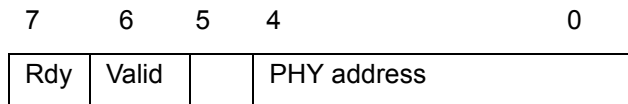
Bits [4:0]: • REG_AD – Register PHY Address

Bit [6:5] • OP – Operation code “10” for read command and “01” for write command

Note: Before programming MII command: set FEN[6], check MIIC3, making sure no RDY and no VALID; then program MII command. Writing to this register will initiate a serial management cycle to the MII management interface. For detail information, please refer to the PHY Control Application Note.

12.8.7 MIIC3 – MII Command Register 3

- CPU Address:h606
- Accessed by serial interface only (R/W)



Bits [4:0]: • PHY_AD – 5 Bit PHY Address

Bit [6] • VALID – Data Valid from PHY (Read Only)

Bit [7] • RDY – Data is returned from PHY (Ready Only)

Note: Before programming MII command: set FEN[6], check MIIC3, making sure no RDY and no VALID; then program MII command.

12.8.8 MIID0 – MII Data Register 0

- CPU Address:h607
- Accessed by serial interface only (RO)
- Bit [7:0] MII Data [7:0]

12.8.9 MIID1 – MII Data Register 1

- CPU Address:h608
- Accessed by serial interface only (RO)
- Bit [7:0] MII Data [15:8]

12.8.10 LED Mode – LED Control

- CPU Address:h609
- Accessed by serial interface and I²C (R/W)

| | | | | | | |
|---|---|---|------------|-----------|---|---|
| 7 | 5 | 4 | 3 | 2 | 1 | 0 |
| | | | Clock rate | Hold Time | | |

- Bit [0]: • Reserved (Default 0)
- Bit [2:1]: • Hold time for LED signal (**Default= 00**)
 00 = 8 msec 01 = 16 msec
 10 = 32 msec 11 = 64 msec
- Bit [4:3]: • LED clock frequency (**Default 0**)
 For 100 MHz SCLK,
 00 = 100 M/8 = 12.5 MHz 01 = 100 M/16 = 6.25 MHz
 10 = 100 M/32 = 3.125 MHz 11 = 100 M/64 = 1.5625 MHz
 For 125 MHz SCLK
 00 = 125 M/64 = 1953 KHz 01 = 125 M/128 = 977 KHz
 10 = 125 M/512 = 244 KHz 11 = 125 M/1024 = 122 KHz
- Bit [7:6]: • Reserved. Must be 0. (**Default 0**)

12.8.11 CHECKSUM - EEPROM Checksum

- I²C Address FF, CPU Address:h60b
- Accessed by serial interface and I²C (R/W)

- Bit [7:0]: • (Default 0)

Before requesting that the MVTX2601 updates the EEPROM device, the correct checksum needs to be calculated and written into this checksum register. When the MVTX2601 boots from the EEPROM the checksum is calculated and the value must be zero. If the checksum is not zeroed the MVTX2601 does not start and pin CHECKSUM_OK is set to zero.

The checksum formula is: FF

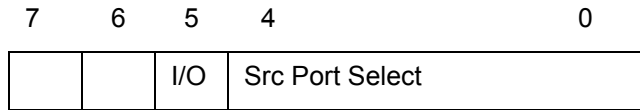
$$\sum \text{I2C register} = 0$$

$$I=0$$

12.9 Group 7 Address Port Mirroring Group

12.9.1 MIRROR1_SRC – Port Mirror source port

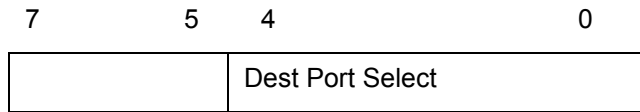
- CPU Address 700
- Accessed by serial interface (R/W) (Default 7F)



- Bit [4:0]: • Source port to be mirrored. Use illegal port number to disable mirroring.
- Bit [5]: • 1 – select ingress data
 • 0 – select egress data
- Bit [7]: • Must be '1'

12.9.2 MIRROR1_DEST – Port Mirror destination

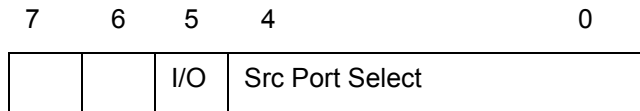
- CPU Address 701
- Accessed by serial interface (R/W) (Default 17)



- Bit [4:0]: • Port Mirror Destination

12.9.3 MIRROR2_SRC – Port Mirror source port

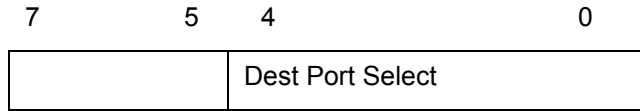
- CPU Address 702
- Accessed by serial interface (R/W) (Default FF)



- Bit [4:0]: • Source port to be mirrored. Use illegal port number to disable mirroring.
- Bit [5]: • 1 – select ingress data
 • 0 – select egress data
- Bit [7] • Must be 1

12.9.4 MIRROR2_DEST – Port Mirror destination

- CPU Address 703
- Accessed by serial interface (R/W) (Default 00)

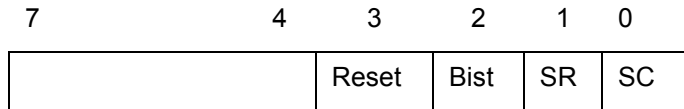


Bit [4:0]: • Port Mirror Destination

12.10 Group F Address CPU Access Group

12.10.1 GCR-Global Control Register

- CPU Address: hF00
- Accessed by serial interface. (R/W)



- Bit [0]: • Store configuration (**Default = 0**)
- Write '1' followed by '0' to store configuration into external EEPROM
- Bit [1]: • Store configuration and reset (**Default = 0**)
- Write '1' to store configuration into external EEPROM and reset chip
- Bit [2]: • Start BIST (**Default = 0**)
- Write '1' followed by '0' to start the device's built-in self-test. The result is found in the DCR register.
- Bit [3]: • Soft Reset (Default = 0)
- Write '1' to reset chip
- Bit [7:4]: • Reserved

12.10.2 DCR-Device Status and Signature Register

- CPU Address: hF01
- Accessed by serial interface. (RO)

| | | | | | | | |
|----------|-----------|----|------|----|----|---|---|
| 7 | 6 | 5 | 4 | 3 | 2 | 1 | 0 |
| Revision | Signature | RE | BinP | BR | BW | | |

- Bit [0]:
- 1: Busy writing configuration to I²C
 - 0: Not busy writing configuration to I²C
- Bit [1]:
- 1: Busy reading configuration from I²C
 - 0: Not busy reading configuration from I²C
- Bit [2]:
- 1: BIST in progress
 - 0: BIST not running
- Bit [3]:
- 1: RAM Error
 - 0: RAM OK
- Bit [5:4]:
- Device Signature
 - 01: MVTX2601 device
- Bit [7:6]:
- Revision
 - 00: Initial Silicon
 - 01: XA1 Silicon

12.10.3 DCR1-Chip status

- CPU Address: hF02
- Accessed by serial interface (RO)

| | | |
|-----|---|---|
| 7 | 6 | 0 |
| CIC | | |

- Bit [7]
- Chip initialization completed

12.10.4 DPST – Device Port Status Register

- CPU Address:hF03
 - Accessed by serial interface (R/W)
- Bit [4:0]:
- Read back index register. This is used for selecting what to read back from DTST. **(Default 00)**
 - 5'b00000 - Port 0 Operating mode and Negotiation status
 - 5'b00001 - Port 1 Operating mode/Neg status
 - 5'b00010 - Port 2 Operating mode/Neg status
 - 5'b00011 - Port 3 Operating mode/Neg status
 - 5'b00100 - Port 4 Operating mode/Neg status
 - 5'b00101 - Port 5 Operating mode/Neg status
 - 5'b00110 - Port 6 Operating mode/Neg status
 - 5'b00111 - Port 7 Operating mode/Neg status
 - 5'b01000 - Port 8 Operating mode/Neg status
 - 5'b01001 - Port 9 Operating mode/Neg status
 - 5'b01010 - Port 10 Operating mode/Neg status
 - 5'b01011 - Port 11 Operating mode/Neg status
 - 5'b01100 - Port 12 Operating mode/Neg status
 - 5'b01101 - Port 13 Operating mode/Neg status
 - 5'b01110 - Port 14 Operating mode/Neg status
 - 5'b01111 - Port 15 Operating mode/Neg status
 - 5'b10000 - Port 16 Operating mode/Neg status
 - 5'b10001 - Port 17 Operating mode/Neg status
 - 5'b10010 - Port 18 Operating mode/Neg status
 - 5'b00011 - Port 19 Operating mode/Neg status
 - 5'b10100 - Port 20 Operating mode/Neg status
 - 5'b10101 - Port 21 Operating mode/Neg status
 - 5'b10110 - Port 22 Operating mode/Neg status
 - 5'b10111 - Port 23 Operating mode/Neg status

12.10.5 DTST – Data read back register

- CPU Address: hF04
- Accessed by serial interface (RO)
- This register provides various internal information as selected in DPST bit [4:0]. Refer to the PHY Control Application Note.

| | | | | | |
|---|---|-------|----|------|------|
| 7 | 4 | 3 | 2 | 1 | 0 |
| | | Inkdn | FE | Fdpx | FcEn |

When bit is 1:

- Bit [0] – Flow control enable
- Bit [1] – Full duplex port
- Bit [2] – Fast Ethernet port
- Bit [3] – Link is down
- Bit [7:4] – Reserved

12.10.6 PLLCR - PLL Control Register

- CPU Address: hF05
- Accessed by serial interface (RW)

Bit [3] Must be '1'

Bit [7] Selects strap option or LCLK/OECLK registers
 0 - Strap option (default)
 1 - LCLK/OECLK registers

12.10.7 LCLK - LA_CLK delay from internal OE_CLK

- CPU Address: hF06
- Accessed by serial interface (RW)

| PD[12:10] | LCLK | Delay |
|-----------|------|-----------------------------|
| 000b | 80h | 8 Buffers Delay |
| 001b | 40h | 7 Buffers Delay |
| 010b | 20h | 6 Buffers Delay |
| 011b | 10h | 5 Buffers Delay (Recommend) |
| 100b | 08h | 4 Buffers Delay |
| 101b | 04h | 3 Buffers Delay |
| 110b | 02h | 2 Buffers Delay |
| 111b | 01h | 1 Buffers Delay |

The LCLK delay from SCLK is the sum of the delay programmed in here and the delay in OECLK register.

12.10.8 OECLK - Internal OE_CLK delay from SCLK

- CPU Address: hF07
- Accessed by serial interface (RW)

The OE_CLK is used for generating the OE0 and OE1 signals.

| PD[15:13] | OECLK | Delay |
|-----------|-------|-----------------------------|
| 000b | 80h | 8 Buffers Delay |
| 001b | 40h | 7 Buffers Delay (Recommend) |
| 010b | 20h | 6 Buffers Delay |
| 011b | 10h | 5 Buffers Delay |
| 100b | 08h | 4 Buffers Delay |
| 101b | 04h | 3 Buffers Delay |
| 110b | 02h | 2 Buffers Delay |
| 111b | 01h | 1 Buffers Delay |

12.10.9 DA – DA Register

- CPU Address: hFFF
- Accessed by CPU and serial interface (RO)
- Always return 8'h **DA**. Indicate the serial port connection is good.

13.0 BGA and Ball Signal Descriptions

13.1 BGA Views (Top-View)

13.1.1 Encapsulated View

| | | | | | | | | | | | | | | | | | | | | | | | | | | | | | | |
|----|--------|--------|--------|--------|--------|---------------------|--------|--------|--------|--------|--------|--------|--------|--------|--------|--------|--------|---------|---------|---------|--------|---------|----------|----------|----------|----------|----------|---------|---------|------|
| | 1 | 2 | 3 | 4 | 5 | 6 | 7 | 8 | 9 | 10 | 11 | 12 | 13 | 14 | 15 | 16 | 17 | 18 | 19 | 20 | 21 | 22 | 23 | 24 | 25 | 26 | 27 | 28 | 29 | |
| A | | | LA_D4 | LA_D7 | LA_D10 | LA_D13 | LA_D15 | LA_D18 | LA_OE0 | LA_A8 | LA_A13 | LA_A16 | LA_A19 | LA_D32 | LA_D35 | LA_D38 | LA_D41 | LA_D44 | OE_CLK0 | LA_CLK1 | TRUNK1 | MIRROR3 | MIRROR1 | SCL | SDA | STROBE | TSTOUT7 | | | |
| B | | LA_D1 | LA_D3 | LA_D6 | LA_D9 | LA_D12 | LA_D14 | LA_DSC | LA_OE1 | LA_A7 | LA_A12 | LA_A15 | LA_A18 | LA_D33 | LA_D36 | LA_D39 | LA_D42 | LA_D45 | OE_CLK1 | LA_CLK2 | LA_D62 | MIRROR5 | MIRROR2 | RESE | RESE | D0 | TSTOUT8 | TSTOUT3 | | |
| C | LA_CLK | LA_D0 | LA_D2 | LA_D5 | LA_D8 | LA_D11 | LA_D3 | LA_OE2 | LA_WDE | T_MODE | LA_A14 | LA_A17 | LA_A20 | LA_D34 | LA_D37 | LA_D40 | LA_D43 | OE_CLK2 | LA_CLK3 | P_D | TRUNK0 | MIRROR3 | MIRROR0 | AUTO | TSTOUT11 | TSTOUT9 | TSTOUT4 | TSTOUT0 | | |
| D | AGND | LA_D17 | LA_D19 | LA_D21 | LA_D23 | LA_D25 | LA_D27 | LA_D29 | LA_D31 | LA_A6 | LA_A10 | LA_WE0 | LA_D49 | LA_D51 | LA_D53 | LA_D55 | LA_D57 | LA_D59 | LA_D61 | LA_D63 | LA_D47 | SCANCOL | SCANCLK | TSTOUT14 | TSTOUT13 | TSTOUT12 | TSTOUT10 | TSTOUT5 | | |
| E | SCLK | LA_D16 | LA_D18 | LA_D20 | LA_D22 | LA_D24 | LA_D26 | LA_D28 | LA_D30 | LA_A5 | LA_A9 | LA_WE1 | LA_D48 | LA_D50 | LA_D52 | LA_D54 | LA_D56 | LA_D58 | LA_D60 | RESE | LA_D46 | | SCANLINK | TSTOUT15 | RESE | RESE | SCAN | TSTOUT6 | TSTOUT2 | |
| F | AVC | RESN | SCANEN | RESE | RESE | VCC VCC VCC VCC VCC | | | | | | | | | | | | | | | | | | RESE | RESE | RESE | RESE | RESE | | |
| G | RESE | RESE | RESE | RESE | RESE | | | | | | | | | | | | | | | | | | | RESE | RESE | RESE | RESE | RESE | | |
| H | RESE | RESE | RESE | RESE | RESE | | | | | | | | | | | | | | | | | | | RESE | RESE | RESE | RESE | RESE | | |
| J | RESE | RESE | RESE | RESE | RESE | | | | | | | | | | | | | | | | | | | RESE | RESE | RESE | RESE | RESE | | |
| K | RESE | RESE | RESE | RESE | RESE | | | | | | | | | | | | | | | | | | | RESE | RESE | RESE | RESE | RESE | | |
| L | RESE | RESE | RESE | RESE | RESE | | | | | | | | | | | | | | | | | | | RESE | RESE | RESE | RESE | RESE | | |
| M | RESE | RESE | RESE | RESE | RESE | VDD | VSS | VSS | VSS | VSS | VSS | VSS | VSS | VSS | VSS | VSS | VSS | VSS | VSS | VSS | VSS | VSS | VSS | VSS | RESE | RESE | RESE | RESE | RESE | |
| N | RESE | RESE | RESE | RESE | RESE | VDD | VSS | VSS | VSS | VSS | VSS | VSS | VSS | VSS | VSS | VSS | VSS | VSS | VSS | VSS | VSS | VSS | VSS | VSS | VCC | RESE | RESE | | RESE | |
| P | RESE | RESE | RESE | RESE | RESE | VDD | VSS | VSS | VSS | VSS | VSS | VSS | VSS | VSS | VSS | VSS | VSS | VSS | VSS | VSS | VSS | VSS | VSS | VSS | VCC | RESE | RESE | | MDIO | RESE |
| R | RESE | RESE | RESE | RESE | RESE | VDD | VSS | VSS | VSS | VSS | VSS | VSS | VSS | VSS | VSS | VSS | VSS | VSS | VSS | VSS | VSS | VSS | VSS | VSS | VCC | RESE | RESE | | MDC | MCLK |
| T | RESE | RESE | RESE | RESE | RESE | VDD | VSS | VSS | VSS | VSS | VSS | VSS | VSS | VSS | VSS | VSS | VSS | VSS | VSS | VSS | VSS | VSS | VSS | VSS | VCC | RESE | RESE | RESE | RESE | RESE |
| U | RESE | RESE | T_MODE | RESE | RESE | VDD | VSS | VSS | VSS | VSS | VSS | VSS | VSS | VSS | VSS | VSS | VSS | VSS | VSS | VSS | VSS | VSS | VSS | VCC | RESE | RESE | RESE | RESE | RESE | |
| V | RESE | RESE | RESE | RESE | RESE | VDD | VSS | VSS | VSS | VSS | VSS | VSS | VSS | VSS | VSS | VSS | VSS | VSS | VSS | VSS | VSS | VSS | VSS | VSS | VCC | RESE | RESE | RESE | RESE | RESE |
| W | RESE | RESE | RESE | RESE | RESE | VDD | VSS | VSS | VSS | VSS | VSS | VSS | VSS | VSS | VSS | VSS | VSS | VSS | VSS | VSS | VSS | VSS | VSS | VSS | VCC | RESE | RESE | RESE | RESE | RESE |
| Y | RESE | RESE | RESE | RESE | RESE | VDD | VSS | VSS | VSS | VSS | VSS | VSS | VSS | VSS | VSS | VSS | VSS | VSS | VSS | VSS | VSS | VSS | VSS | VSS | VCC | RESE | RESE | RESE | RESE | RESE |
| AA | RESE | RESE | RESE | RESE | RESE | VDD | VSS | VSS | VSS | VSS | VSS | VSS | VSS | VSS | VSS | VSS | VSS | VSS | VSS | VSS | VSS | VSS | VSS | VCC | RESE | RESE | RESE | RESE | RESE | |
| AB | RESE | RESE | RESE | RESE | RESE | VDD | VSS | VSS | VSS | VSS | VSS | VSS | VSS | VSS | VSS | VSS | VSS | VSS | VSS | VSS | VSS | VSS | VSS | VCC | RESE | RESE | RESE | RESE | RESE | |
| AC | RESE | RESE | RESE | RESE | RESE | VDD | VSS | VSS | VSS | VSS | VSS | VSS | VSS | VSS | VSS | VSS | VSS | VSS | VSS | VSS | VSS | VSS | VSS | VCC | RESE | RESE | M23 | M23 | M23 | |
| AD | RESE | RESE | RESE | RESE | RESE | VDD | VSS | VSS | VSS | VSS | VSS | VSS | VSS | VSS | VSS | VSS | VSS | VSS | VSS | VSS | VSS | VSS | VSS | VCC | RESE | RESE | M23 | M23 | M23 | |
| AE | M0_T | M0_T | M0_T | M3_T | M3_T | M3_R | M5_T | M5_T | M5_R | M8_T | M8_T | M8_R | M10 | M10 | M10 | M13 | M16 | M15 | M16 | M15 | M15 | M18 | M18 | M18 | M20 | M20 | M20 | M22 | | |
| AF | M0_R | M0_R | M0_C | M3_T | M3_C | M3_R | M5_T | M5_C | M5_R | M8_T | M8_C | M8_R | M10 | M10 | M10 | M13 | M13 | M13 | M14 | M16R | M15 | M17 | M17 | M18 | M20 | M20 | M20 | M22 | M22 | |
| AG | M1_T | M1_T | M1_T | M2_T | M2_C | M4_T | M4_C | M6_T | M6_C | M7_T | M7_C | M9_T | M9_C | M11 | M11 | M12 | M12 | M14 | M15 | M16 | M16 | M18 | M18 | M19 | M19 | M21 | M21 | M22 | M22 | |
| AH | | M1_R | M1_C | M2_T | M2_R | M4_T | M4_R | M6_T | M6_R | M7_T | M7_R | M9_T | M9_R | M11 | M11 | M12 | M12 | M14 | M14 | M13 | M15 | M17 | M17 | M19 | M19 | M21 | M21 | M22 | | |
| AJ | | | M1_R | M2_T | M2_R | M4_T | M4_R | M6_T | M6_R | M7_T | M7_R | M9_T | M9_R | M11 | M11 | M12 | M12 | M14 | M14 | M16 | M13 | M17 | M17 | M19 | M19 | M21 | M21 | | | |
| | 1 | 2 | 3 | 4 | 5 | 6 | 7 | 8 | 9 | 10 | 11 | 12 | 13 | 14 | 15 | 16 | 17 | 18 | 19 | 20 | 21 | 22 | 23 | 24 | 25 | 26 | 27 | 28 | 29 | |

13.2 Ball – Signal Descriptions

All pins are CMOS type; all Input Pins are 5 Volt tolerance; and all Output Pins are 3.3 CMOS drive.

13.2.1 Ball Signal Descriptions

| Ball No(s) | Symbol | I/O | Description |
|------------------------------------------------------------------------------------------------------------------------------------------------------------------------------------------------------------------------------------------------------------------------------------------------|------------|----------------------------------|-------------------------------------------------------------------------------|
| I²C Interface Note: Use I²C and Serial control interface to configure the system | | | |
| A24 | SCL | Output | I ² C Data Clock |
| A25 | SDA | I/O-TS with pull up | I ² C Data I/O |
| Serial Control Interface | | | |
| A26 | STROBE | Input with weak internal pull up | Serial Strobe Pin |
| B26 | D0 | Input | Serial Data Input |
| C25 | AUTOFD | Output with pull up | Serial Data Output (AutoFD) |
| Frame Buffer Interface | | | |
| D20, B21, D19, E19, D18, E18, D17, E17, D16, E16, D15, E15, D14, E14, D13, E13, D21, E21, A18, B18, C18, A17, B17, C17, A16, B16, C16, A15, B15, C15, A14, B14, D9, E9, D8, E8, D7, E7, D6, E6, D5, E5, D4, E4, D3, E3, D2, E2, A7, B7, A6, B6, C6, A5, B5, C5, A4, B4, C4, A3, B3, C3, B2, C2 | LA_D[63:0] | I/O-TS with pull up | Frame Bank A– Data Bit [63:0] |
| C14, A13, B13, C13, A12, B12, C12, A11, B11, C11, D11, E11, A10, B10, D10, E10, A8, C7 | LA_A[20:3] | Output | Frame Bank A – Address Bit [20:3] |
| B8 | LA_ADSC# | Output with pull up | Frame Bank A Address Status Control |
| C1 | LA_CLK | Output | Frame Bank A Clock Input |
| C9 | LA_WE# | Output with pull up | Frame Bank A Write Chip Select for one layer SRAM application |
| D12 | LA_WE0# | Output with pull up | Frame Bank A Write Chip Select for lower layer of two layers SRAM application |
| E12 | LA_WE1# | Output with pull up | Frame Bank A Write Chip Select for upper layer of two layers SRAM application |

| Ball No(s) | Symbol | I/O | Description |
|-----------------------------------------------------------------------------------------------------------------------------------------|----------------|-----------------------------------------------|------------------------------------------------------------------------------|
| C8 | LA_OE# | Output with pull up | Frame Bank A Read Chip Select for one layer SRAM application |
| A9 | LA_OE0# | Output with pull up | Frame Bank A Read Chip Select for lower layer of two layers SRAM application |
| B9 | LA_OE1# | Output with pull up | Frame Bank A Read Chip Select for upper layer of two layers SRAM application |
| Fast Ethernet Access Ports [23:0] RMII | | | |
| R28 | M_MDC | Output | MII Management Data Clock – (Common for all MII Ports [23:0]) |
| P28 | M_MDIO | I/O-TS with pull up | MII Management Data I/O – (Common for all MII Ports – [23:0]) |
| R29 | M_CLKI | Input | Reference Input Clock |
| AC29, AE28, AJ27, AF27, AJ25, AF24, AH23, AE19, AF21, AJ19, AF18, AJ17, AJ15, AF15, AJ13, AF12, AJ11, AJ9, AF9, AJ7, AF6, AJ5, AJ3, AF1 | M[23:0]_RXD[1] | Input with weak internal pull up resistors. | Ports [23:0] – Receive Data Bit [1] |
| AC28, AF28, AH27, AE27, AH25, AE24, AF22, AF20, AE21, AH19, AH20, AH17, AH15, AE15, AH13, AE12, AH11, AH9, AE9, AH7, AE6, AH5, AH2, AF2 | M[23:0]_RXD[0] | Input with weak internal pull up resistors | Ports [23:0] – Receive Data Bit [0] |
| AC27, AF29, AG27, AF26, AG25, AG23, AF23, AG21, AH21, AF19, AF17, AG17, AG15, AF14, AG13, AF11, AG11, AG9, AF8, AG7, AF5, AG5, AH3, AF3 | M[23:0]_CRS_DV | Input with weak internal pull down resistors. | Ports [23:0] – Carrier Sense and Receive Data Valid |
| AD29, AG28, AJ26, AE26, AJ24, AE23, AJ22, AJ20, AE20, AJ18, AJ21, AJ16, AJ14, AE14, AJ12, AE11, AJ10, AJ8, AE8, AJ6, AE5, AJ4, AG1, AE1 | M[23:0]_TXEN | I/O- TS with pull up, slew | Ports [23:0] – Transmit Enable Strap option for RMII/GPSI |

| Ball No(s) | Symbol | I/O | Description |
|--------------------------------------------------------------------------------------------------------------------------------------------------------------|--------------------------|-----------------------------------------------|--------------------------------------|
| AD27, AH28, AG26, AE25, AG24, AE22, AJ23, AG20, AE18, AG18, AE16, AG16, AG14, AE13, AG12, AE10, AG10, AG8, AE7, AG6, AE4, AG4, AG3, AE3 | M[23:0]_TXD[1] | Output, slew | Ports [23:0] – Transmit Data Bit [1] |
| AD28, AG29, AH26, AF25, AH24, AG22, AH22, AE17, AG19, AH18, AF16, AH16, AH14, AF13, AH12, AF10, AH10, AH8, AF7, AH6, AF4, AH4, AG2, AE2 | M[23:0]_TXD[0] | Output, slew | Ports [23:0] – Transmit Data Bit [0] |
| LED Interface | | | |
| C29 | LED_CLK/TSTOUT0 | I/O- TS with pull up | LED Serial Interface Output Clock |
| D29 | LED_SYN/TSTOUT1 | I/O- TS with pull up | LED Output Data Stream Envelope |
| E29 | LED_BIT/TSTOUT2 | I/O- TS with pull up | LED Serial Data Output Stream |
| B27, A27, E28, D28, C28, B28 | TSTOUT[8:3] | I/O- TS with pull up | (Reserved) |
| C27 | INIT_DONE/TSTOUT 9 | I/O- TS with pull up | System start operation |
| D27 | INIT_START/TSTOU T10 | I/O- TS with pull up | Start initialization |
| C26 | CHECKSUM_OK/TS TOUT11 | I/O- TS with pull up | EEPROM read OK |
| D26 | FCB_ERR/TSTOUT1 2 | I/O- TS with pull up | FCB memory self test fail |
| D25 | MCT_ERR/TSTOUT1 3 | I/O- TS with pull up | MCT memory self test fail |
| D24 | BIST_IN_PRC/TSTO UT14 | I/O- TS with pull up | Processing memory self test |
| E24 | BIST_DONE/TSTOU T15 | I/O- TS with pull up | Memory self test done |
| Trunk Enable | | | |
| C22 | TRUNK0 | Input w/ weak internal pull down resistors | Trunk Port Enable |

| Ball No(s) | Symbol | I/O | Description | | | | | | | | | | | | | | | |
|----------------------------------------------------------------------------------------------------|----------|--------------------------------------------|--------------------------------------------------------------------------------------------------------------------------------------------------------------------------------------------------------------------------------------------------------------------------------------------------------------------------------------------------------------------------------------------------------------------------------------------------------------------------------------------------------------------------------------|---------|---------|--|---|---|----------|---|---|----------|---|---|----------|---|---|-------------------|
| A21 | TRUNK1 | Input w/ weak internal pull down resistors | Trunk Port Enable | | | | | | | | | | | | | | | |
| Test Facility | | | | | | | | | | | | | | | | | | |
| U3 | T_MODE0 | I/O-TS | Test Pin – Set Mode upon Reset, and provides NAND Tree test output during test mode (Pull Up) | | | | | | | | | | | | | | | |
| C10 | T_MODE1 | I/O-TS | <p>Test Pin – Set Mode upon Reset, and provides NAND Tree test output during test mode (Pull Up)</p> <table border="0"> <tr> <td>T_MODE1</td> <td>T_MODE0</td> <td></td> </tr> <tr> <td>0</td> <td>0</td> <td>NandTree</td> </tr> <tr> <td>0</td> <td>1</td> <td>Reserved</td> </tr> <tr> <td>1</td> <td>0</td> <td>reserved</td> </tr> <tr> <td>1</td> <td>1</td> <td>Regular operation</td> </tr> </table> <p>T_MODE0 and T_MODE1 are used for manufacturing tests. The signals should both be set to 1 for regular operation.</p> | T_MODE1 | T_MODE0 | | 0 | 0 | NandTree | 0 | 1 | Reserved | 1 | 0 | reserved | 1 | 1 | Regular operation |
| T_MODE1 | T_MODE0 | | | | | | | | | | | | | | | | | |
| 0 | 0 | NandTree | | | | | | | | | | | | | | | | |
| 0 | 1 | Reserved | | | | | | | | | | | | | | | | |
| 1 | 0 | reserved | | | | | | | | | | | | | | | | |
| 1 | 1 | Regular operation | | | | | | | | | | | | | | | | |
| F3 | SCAN_EN | Input with pull down | Scan Enable 0 - Normal mode (unconnected) | | | | | | | | | | | | | | | |
| E27 | SCANMODE | Input with pull down | 1 - Enables Test mode 0 - Normal mode (unconnected) | | | | | | | | | | | | | | | |
| System Clock, Power and Ground Pins | | | | | | | | | | | | | | | | | | |
| E1 | SCLK | Input | System Clock at 100 MHz | | | | | | | | | | | | | | | |
| K12, K13, K17, K18 M10, N10, M20, N20, U10, V10, U20, V20, Y12, Y13, Y17, Y18 | VDD | Power | +2.5 Volt DC Supply | | | | | | | | | | | | | | | |
| F13, F14, F15, F16, F17, N6, P6, R6, T6, U6, N24, P24, R24, T24, U24, AD13, AD14, AD15, AD16, AD17 | VCC | Power | +3.3 Volt DC Supply | | | | | | | | | | | | | | | |

| Ball No(s) | Symbol | I/O | Description |
|------------------------------------------------------------------------------------------------------------------------------------------------------------------------------------------------------------------------------------------------------------------------------------|-----------|---------------|------------------------------------------------|
| M12, M13, M14, M15, M16, M17, M18, N12, N13, N14, N15, N16, N17, N18, P12, P13, P14, P15, P16, P17, P18, R12, R13, R14, R15, R16, R17, R18, T12, T13, T14, T15, T16, T17, T18, U12, U13, U14, U15, U16, U17, U18, V12, V13, V14, V15, V16, V17, V18, | VSS | Power Ground | Ground |
| F1 | AVCC | Analog Power | Analog +2.5 Volt DC Supply |
| D1 | AGND | Analog Ground | Analog Ground |
| MISC | | | |
| D22 | SCANCOL | Input | Scans the Collision signal of Home PHY |
| D23 | SCANCLK | Input/ output | Clock for scanning Home PHY collision and link |
| E23 | SCANLINK | Input | Link up signal from Home PHY |
| F2 | RESIN# | Input | Reset Input |
| G2 | RESETOUT# | Output | Reset PHY |

| Ball No(s) | Symbol | I/O | Description |
|------------------------------------------------------------------------------------------------------------------------------------------------------------------------------------------------------------------------------------------------------------------------------------------------------------------------------------------------------------------------------------------------------------------------------------------------------------------------------------------------------------------------------------------------------------------------------------------------------------------------------------------------------------------------------------------------------------------------------------------------------------------------------------------------------------------------------------------------------------------|-------------|---------------------|-------------------------------------------------------------------------|
| B22, F4, F5, G4, G5, H4, H5, J4, J5, K4, K5, L4, L5, M4, M5, N4, N5, G3, H1, H2, H3, J1, J2, J3, K1, K2, K3, L1, L2, L3, M1, M2, M3, U4, U5, V4, V5, W4, W5, Y4, Y5, AA4, AA5, AB4, AB5, AC4, AC5, AD4, AD5, W1, Y1, Y2, Y3, AA1, AA2, AA3, AB1, AB2, AB3, AC1, AC2, AC3, AD1, AD2, AD3, N3, N2, N1, P3, P2, P1, R5, R4, R3, R2, R1, T5, T4, T3, T2, T1, W3, W2, V1, G1, V3, P4, P5, V2, U1, U2, U26, U25, V26, V25, W26, W25, Y27, Y26, AA26, AA25, AB26, AB25, AC26, AC25, AD26, AD25, T28, U28, R25, U29, T29, U27, V29, V28, V27, W29, W28, W27, Y29, Y28, Y25, AA29, AA28, AA27, AB29, AB28, AB27, T26, R26, T27, T25, P29, G26, G25, H26, H25, J26, J25, K25, K26, M25, L26, M26, L25, N26, N25, P26, P25, F28, G28, E25, G29, F29, G27, H29, H28, H27, J29, J28, J27, K29, K28, K27, L29, L28, L27, M29, M28, M27, F26, E26, F27, F25, N29, B24, E20, B25 | Reserved | I/O-TS | Reserved Pins. Leave unconnected. |
| Bootstrap Pins (Default= pull up, 1= pull up 0= pull down) | | | |
| After reset TSTOUT0 to TSTOUT15 are used by the LED interface. | | | |
| C29 | TSTOUT0 | | Reserved |
| D29 | TSTOUT1 | Default: Enable (1) | RMII MAC Power Saving Enable 0 - No power saving 1 - Power saving |
| C28, B28, E29 | TSTOUT[4:2] | | Reserved |
| D28 | TSTOUT5 | Default: SCLK (1) | Scan Speed 0 - ¼ SCLK(HPNA) 1 - SCLK |

| Ball No(s) | Symbol | I/O | Description |
|------------------------------------------------------------------------------------------------------------------------------------------|--------------|---------------------------------------|-----------------------------------------------------------------------------------------------------------------------------------------------|
| E28 | TSTOUT6 | | Reserved |
| A27 | TSTOUT7 | Default: 128 K x 32 or 128 K x 64 (1) | Memory Size 0 - 256 K x 32 or 256 K x 64 (4 M total) 1 - 128 K x 32 or 128 K x 64 (2 M total) |
| B27 | TSTOUT8 | Default: Not Installed (1) | EEPROM Installed 0 - EEPROM installed 1 - EEPROM not installed |
| C27 | TSTOUT9 | Default: MCT aging enable (1) | MCT Aging 0 - MCT aging disable 1 - MCT aging enable |
| D27 | TSTOUT10 | Default: FCB aging enable (1) | FCB Aging 0 - FCB aging disable 1 - FCB aging enable |
| C26 | TSTOUT11 | Default: Timeout reset enable (1) | Timeout Reset 0 - Time out reset disable 1 - Time out reset enable. Issue reset if any state machine did not go back to idle for 5 Sec. |
| D26 | TSTOUT12 | | Reserved |
| D25 | TSTOUT13 | Default: Single depth (1) | FDB RAM depth (1 or 2 layers) 0 - Two layers 1 - One layer |
| D24 | TSTOUT14 | | Reserved |
| E24 | TSTOUT15 | Default: Normal operation | SRAM Test Mode 0 - Enable test mode 1 - Normal operation |
| AD29, AG28, AJ26, AE26, AJ24, AE23, AJ22, AJ20, AE20, AJ18, AJ21, AJ16, AJ14, AE14, AJ12, AE11, AJ10, AJ8, AE8, AJ6, AE5, AJ4, AG1, AE1, | M[23:0]_TXEN | Default: RMII | 0 – GPSI 1 - RMII |
| C21 | P_D | Must be pulled-down | Reserved - Must be pulled-down. |
| C19, B19, A19 | OE_CLK[2:0] | Default: 111 | Programmable delay for internal OE_CLK from SCLK input. The OE_CLK is used for generating the OE0 and OE1 signals Suggested value is 001. |

| Ball No(s) | Symbol | I/O | Description |
|------------------------------|-------------|-----------------|--------------------------------------------------------------------------------------------------------------------------------------------------------------------------------|
| C20, B20, A20 | LA_CLK[2:0] | Default: 111 | Programmable delay for LA_CLK from internal OE_CLK. The LA_CLK delay from SCLK is the sum of the delay programmed in here and the delay in P_D[15:13]. Suggested value is 011. |
| B22, A22, C23, B23, A23, C24 | MIRROR[5:0] | Default: 111111 | Dedicated Port Mirror Mode. The first 5 bits select the port to be mirrored. The last bit selects either ingress or egress data. |

Note:

= Active low signal

Input = Input signal

In-ST = Input signal with Schmitt-Trigger

Output = Output signal (Tri-State driver)

Out-OD = Output signal with Open-Drain driver

I/O-TS = Input & Output signal with Tri-State driver

I/O-OD = Input & Output signal with Open-Drain driver

13.3 Ball – Signal Name

| Ball No. | Signal Name | Ball No. | Signal Name | Ball No. | Signal Name |
|----------|-------------|----------|-------------|----------|-------------|
| D20 | LA_D[63] | D3 | LA_D[19] | A9 | LA_OE0# |
| B21 | LA_D[62] | E3 | LA_D[18] | B9 | LA_OE1# |
| D19 | LA_D[61] | D2 | LA_D[17] | F4 | RESERVED |
| E19 | LA_D[60] | E2 | LA_D[16] | F5 | RESERVED |
| D18 | LA_D[59] | A7 | LA_D[15] | G4 | RESERVED |
| E18 | LA_D[58] | B7 | LA_D[14] | G5 | RESERVED |
| D17 | LA_D[57] | A6 | LA_D[13] | H4 | RESERVED |
| E17 | LA_D[56] | B6 | LA_D[12] | H5 | RESERVED |
| D16 | LA_D[55] | C6 | LA_D[11] | J4 | RESERVED |
| E16 | LA_D[54] | A5 | LA_D[10] | J5 | RESERVED |
| D15 | LA_D[53] | B5 | LA_D[9] | K4 | RESERVED |
| E15 | LA_D[52] | C5 | LA_D[8] | K5 | RESERVED |
| D14 | LA_D[51] | A4 | LA_D[7] | L4 | RESERVED |
| E14 | LA_D[50] | B4 | LA_D[6] | L5 | RESERVED |
| D13 | LA_D[49] | C4 | LA_D[5] | M4 | RESERVED |
| E13 | LA_D[48] | A3 | LA_D[4] | M5 | RESERVED |
| D21 | LA_D[47] | B3 | LA_D[3] | N4 | RESERVED |
| E21 | LA_D[46] | C3 | LA_D[2] | N5 | RESERVED |
| A18 | LA_D[45] | B2 | LA_D[1] | G3 | RESERVED |
| B18 | LA_D[44] | C2 | LA_D[0] | H1 | RESERVED |
| C18 | LA_D[43] | C14 | LA_A[20] | H2 | RESERVED |
| A17 | LA_D[42] | A13 | LA_A[19] | H3 | RESERVED |
| B17 | LA_D[41] | B13 | LA_A[18] | J1 | RESERVED |
| C17 | LA_D[40] | C13 | LA_A[17] | J2 | RESERVED |
| A16 | LA_D[39] | A12 | LA_A[16] | J3 | RESERVED |
| B16 | LA_D[38] | B12 | LA_A[15] | K1 | RESERVED |
| C16 | LA_D[37] | C12 | LA_A[14] | K2 | RESERVED |
| A15 | LA_D[36] | A11 | LA_A[13] | K3 | RESERVED |
| B15 | LA_D[35] | B11 | LA_A[12] | L1 | RESERVED |
| C15 | LA_D[34] | C11 | LA_A[11] | L2 | RESERVED |
| A14 | LA_D[33] | D11 | LA_A[10] | L3 | RESERVED |
| B14 | LA_D[32] | E11 | LA_A[9] | M1 | RESERVED |
| D9 | LA_D[31] | A10 | LA_A[8] | M2 | RESERVED |

| Ball No. | Signal Name | Ball No. | Signal Name | Ball No. | Signal Name |
|----------|-------------|----------|--------------|----------|--------------|
| E9 | LA_D[30] | B10 | LA_A[7] | M3 | RESERVED |
| D8 | LA_D[29] | D10 | LA_A[6] | U4 | RESERVED |
| E8 | LA_D[28] | E10 | LA_A[5] | U5 | RESERVED |
| D7 | LA_D[27] | A8 | LA_A[4] | V4 | RESERVED |
| E7 | LA_D[26] | C7 | LA_A[3] | V5 | RESERVED |
| D6 | LA_D[25] | B8 | LA_DSC# | W4 | RESERVED |
| E6 | LA_D[24] | C1 | LA_CLK | W5 | RESERVED |
| D5 | LA_D[23] | C9 | LA_WE# | Y4 | RESERVED |
| E5 | LA_D[22] | D12 | LA_WE0# | Y5 | RESERVED |
| D4 | LA_D[21] | E12 | LA_WE1# | AA4 | RESERVED |
| E4 | LA_D[20] | C8 | LA_OE# | AA5 | RESERVED |
| AB4 | RESERVED | U2 | RESERVED | AH7 | M[4]_RXD[0] |
| AB5 | RESERVED | R28 | MDC | AE6 | M[3]_RXD[0] |
| AC4 | RESERVED | P28 | MDIO | AH5 | M[2]_RXD[0] |
| AC5 | RESERVED | R29 | M_CLK | AH2 | M[1]_RXD[0] |
| AD4 | RESERVED | AC29 | M[23]_RXD[1] | AF2 | M[0]_RXD[0] |
| AD5 | RESERVED | AE28 | M[22]_RXD[1] | AC27 | M[23]_CRS_DV |
| W1 | RESERVED | AJ27 | M[21]_RXD[1] | AF29 | M[22]_CRS_DV |
| Y1 | RESERVED | AF27 | M[20]_RXD[1] | AG27 | M[21]_CRS_DV |
| Y2 | RESERVED | AJ25 | M[19]_RXD[1] | AF26 | M[20]_CRS_DV |
| Y3 | RESERVED | AF24 | M[18]_RXD[1] | AG25 | M[19]_CRS_DV |
| AA1 | RESERVED | AH23 | M[17]_RXD[1] | AG23 | M[18]_CRS_DV |
| AA2 | RESERVED | AE19 | M[16]_RXD[1] | AF23 | M[17]_CRS_DV |
| AA3 | RESERVED | AF21 | M[15]_RXD[1] | AG21 | M[16]_CRS_DV |
| AB1 | RESERVED | AJ19 | M[14]_RXD[1] | AH21 | M[15]_CRS_DV |
| AB2 | RESERVED | AF18 | M[13]_RXD[1] | AF19 | M[14]_CRS_DV |
| AB3 | RESERVED | AJ17 | M[12]_RXD[1] | AF17 | M[13]_CRS_DV |
| AC1 | RESERVED | AJ15 | M[11]_RXD[1] | AG17 | M[12]_CRS_DV |
| AC2 | RESERVED | AF15 | M[10]_RXD[1] | AG15 | M[11]_CRS_DV |
| AC3 | RESERVED | AJ13 | M[9]_RXD[1] | AF14 | M[10]_CRS_DV |
| AD1 | RESERVED | AF12 | M[8]_RXD[1] | AG13 | M[9]_CRS_DV |
| AD2 | RESERVED | AJ11 | M[7]_RXD[1] | AF11 | M[8]_CRS_DV |
| AD3 | RESERVED | AJ9 | M[6]_RXD[1] | AG11 | M[7]_CRS_DV |
| N3 | RESERVED | AF9 | M[5]_RXD[1] | AG9 | M[6]_CRS_DV |
| N2 | RESERVED | AJ7 | M[4]_RXD[1] | AF8 | M[5]_CRS_DV |

| Ball No. | Signal Name | Ball No. | Signal Name | Ball No. | Signal Name |
|----------|--------------|----------|--------------|----------|-------------|
| N1 | RESERVED | AF6 | M[3]_RXD[1] | AG7 | M[4]_CRS_DV |
| P3 | RESERVED | AJ5 | M[2]_RXD[1] | AF5 | M[3]_CRS_DV |
| P2 | RESERVED | AJ3 | M[1]_RXD[1] | AG5 | M[2]_CRS_DV |
| P1 | RESERVED | AF1 | M[0]_RXD[1] | AH3 | M[1]_CRS_DV |
| R5 | RESERVED | AC28 | M[23]_RXD[0] | AF3 | M[0]_CRS_DV |
| R4 | RESERVED | AF28 | M[22]_RXD[0] | AD29 | M[23]_TXEN |
| R3 | RESERVED | AH27 | M[21]_RXD[0] | AG28 | M[22]_TXEN |
| R2 | RESERVED | AE27 | M[20]_RXD[0] | AJ26 | M[21]_TXEN |
| R1 | RESERVED | AH25 | M[19]_RXD[0] | AE26 | M[20]_TXEN |
| T5 | RESERVED | AE24 | M[18]_RXD[0] | AJ24 | M[19]_TXEN |
| T4 | RESERVED | AF22 | M[17]_RXD[0] | AE23 | M[18]_TXEN |
| T3 | RESERVED | AF20 | M[16]_RXD[0] | AJ22 | M[17]_TXEN |
| T2 | RESERVED | AE21 | M[15]_RXD[0] | AJ20 | M[16]_TXEN |
| T1 | RESERVED | AH19 | M[14]_RXD[0] | AE20 | M[15]_TXEN |
| W3 | RESERVED | AH20 | M[13]_RXD[0] | AJ18 | M[14]_TXEN |
| W2 | RESERVED | AH17 | M[12]_RXD[0] | AJ21 | M[13]_TXEN |
| V1 | RESERVED | AH15 | M[11]_RXD[0] | AJ16 | M[12]_TXEN |
| G1 | RESERVED | AE15 | M[10]_RXD[0] | AJ14 | M[11]_TXEN |
| V3 | RESERVED | AH13 | M[9]_RXD[0] | AE14 | M[10]_TXEN |
| P4 | RESERVED | AE12 | M[8]_RXD[0] | AJ12 | M[9]_TXEN |
| P5 | RESERVED | AH11 | M[7]_RXD[0] | AE11 | M[8]_TXEN |
| V2 | RESERVED | AH9 | M[6]_RXD[0] | AJ10 | M[7]_TXEN |
| U1 | RESERVED | AE9 | M[5]_RXD[0] | AJ8 | M[6]_TXEN |
| AE8 | M[5]_TXEN | AH8 | M[6]_TXD[0] | G27 | RESERVED |
| AJ6 | M[4]_TXEN | AF7 | M[5]_TXD[0] | H29 | RESERVED |
| AE5 | M[3]_TXEN | AH6 | M[4]_TXD[0] | H28 | RESERVED |
| AJ4 | M[2]_TXEN | AF4 | M[3]_TXD[0] | H27 | RESERVED |
| AG1 | M[1]_TXEN | AH4 | M[2]_TXD[0] | J29 | RESERVED |
| AE1 | M[0]_TXEN | AG2 | M[1]_TXD[0] | J28 | RESERVED |
| AD27 | M[23]_TXD[1] | AE2 | M[0]_TXD[0] | J27 | RESERVED |
| AH28 | M[22]_TXD[1] | U26 | RESERVED | K29 | RESERVED |
| AG26 | M[21]_TXD[1] | U25 | RESERVED | K28 | RESERVED |
| AE25 | M[20]_TXD[1] | V26 | RESERVED | K27 | RESERVED |
| AG24 | M[19]_TXD[1] | V25 | RESERVED | L29 | RESERVED |
| AE22 | M[18]_TXD[1] | W26 | RESERVED | L28 | RESERVED |

| Ball No. | Signal Name | Ball No. | Signal Name | Ball No. | Signal Name |
|----------|--------------|----------|-------------|----------|------------------------|
| AJ23 | M[17]_TXD[1] | W25 | RESERVED | L27 | RESERVED |
| AG20 | M[16]_TXD[1] | Y27 | RESERVED | M29 | RESERVED |
| AE18 | M[15]_TXD[1] | Y26 | RESERVED | M28 | RESERVED |
| AG18 | M[14]_TXD[1] | AA26 | RESERVED | M27 | RESERVED |
| AE16 | M[13]_TXD[1] | AA25 | RESERVED | G26 | RESERVED |
| AG16 | M[12]_TXD[1] | AB26 | RESERVED | G25 | RESERVED |
| AG14 | M[11]_TXD[1] | AB25 | RESERVED | H26 | RESERVED |
| AE13 | M[10]_TXD[1] | AC26 | RESERVED | H25 | RESERVED |
| AG12 | M[9]_TXD[1] | AC25 | RESERVED | J26 | RESERVED |
| AE10 | M[8]_TXD[1] | AD26 | RESERVED | J25 | RESERVED |
| AG10 | M[7]_TXD[1] | AD25 | RESERVED | K25 | RESERVED |
| AG8 | M[6]_TXD[1] | U27 | RESERVED | K26 | RESERVED |
| AE7 | M[5]_TXD[1] | V29 | RESERVED | M25 | RESERVED |
| AG6 | M[4]_TXD[1] | V28 | RESERVED | L26 | RESERVED |
| AE4 | M[3]_TXD[1] | V27 | RESERVED | M26 | RESERVED |
| AG4 | M[2]_TXD[1] | W29 | RESERVED | L25 | RESERVED |
| AG3 | M[1]_TXD[1] | W28 | RESERVED | N26 | RESERVED |
| AE3 | M[0]_TXD[1] | W27 | RESERVED | N25 | RESERVED |
| AD28 | M[23]_TXD[0] | Y29 | RESERVED | P26 | RESERVED |
| AG29 | M[22]_TXD[0] | Y28 | RESERVED | P25 | RESERVED |
| AH26 | M[21]_TXD[0] | Y25 | RESERVED | F28 | RESERVED |
| AF25 | M[20]_TXD[0] | AA29 | RESERVED | G28 | RESERVED |
| AH24 | M[19]_TXD[0] | AA28 | RESERVED | E25 | RESERVED |
| AG22 | M[18]_TXD[0] | AA27 | RESERVED | G29 | RESERVED |
| AH22 | M[17]_TXD[0] | AB29 | RESERVED | F29 | RESERVED |
| AE17 | M[16]_TXD[0] | AB28 | RESERVED | F26 | RESERVED |
| AG19 | M[15]_TXD[0] | AB27 | RESERVED | E26 | RESERVED |
| AH18 | M[14]_TXD[0] | R26 | RESERVED | F25 | RESERVED |
| AF16 | M[13]_TXD[0] | T25 | RESERVED | E24 | BIST_DONE/TSTOUT[15] |
| AH16 | M[12]_TXD[0] | T26 | RESERVED | D24 | BIST_IN_PRC/TSTOUT[14] |
| AH14 | M[11]_TXD[0] | T28 | RESERVED | D25 | MCT_ERR/TSTOUT[13] |
| AF13 | M[10]_TXD[0] | U28 | RESERVED | D26 | FCB_ERR/TSTOUT[12] |
| AH12 | M[9]_TXD[0] | R25 | RESERVED | C26 | CHECKSUM_OK/TSTOUT[11] |
| AF10 | M[8]_TXD[0] | U29 | RESERVED | D27 | INIT_START/TSTOUT[10] |

| Ball No. | Signal Name | Ball No. | Signal Name | Ball No. | Signal Name |
|----------|-----------------------|----------|-------------|----------|---------------------|
| AH10 | M[7]_TXD[0] | T29 | RESERVED | C27 | INIT_DONE/TSTOUT[9] |
| B27 | TSTOUT[8] | U18 | VSS | N12 | VSS |
| A27 | TSTOUT[7] | V12 | VSS | N13 | VSS |
| E28 | TSTOUT[6] | V13 | VSS | K17 | VDD |
| D28 | TSTOUT[5] | V14 | VSS | K18 | VDD |
| C28 | TSTOUT[4] | V15 | VSS | M10 | VDD |
| B28 | TSTOUT[3] | V16 | VSS | N10 | VDD |
| E29 | LED_BIT/TSTOUT[2] | V17 | VSS | M20 | VDD |
| D29 | LED_SYN/TSTOUT[1] | V18 | VSS | N20 | VDD |
| C29 | LED_CLK/TSTOUT[0] | N14 | VSS | U10 | VDD |
| N29 | RESERVED | N15 | VSS | V10 | VDD |
| P29 | RESERVED | N16 | VSS | U20 | VDD |
| F3 | SCAN_EN | N17 | VSS | V20 | VDD |
| E1 | SCLK | N18 | VSS | Y12 | VDD |
| U3 | T_MODE0 | P12 | VSS | Y13 | VDD |
| C10 | T_MODE1 | P13 | VSS | Y17 | VDD |
| B24 | RESERVED | P14 | VSS | Y18 | VDD |
| A21 | TRUNK1 | P15 | VSS | K12 | VDD |
| C22 | TRUNK0 | P16 | VSS | K13 | VDD |
| A26 | STROBE | C19 | OE_CLK2 | M16 | VSS |
| B26 | D0 | B19 | OE_CLK1 | M17 | VSS |
| C25 | AUTOFD | A19 | OE_CLK0 | M18 | VSS |
| A24 | SCL | R13 | VSS | F16 | VCC |
| A25 | SDA | R14 | VSS | F17 | VCC |
| F1 | AVCC | R15 | VSS | N6 | VCC |
| D1 | AGND | R16 | VSS | P6 | VCC |
| D22 | SCANCOL | R17 | VSS | R6 | VCC |
| E23 | SCANLINK | R18 | VSS | T6 | VCC |
| E27 | SCANMODE | T12 | VSS | U6 | VCC |
| N28 | | T13 | VSS | N24 | VCC |
| N27 | | T14 | VSS | P24 | VCC |
| F2 | RESIN# | T15 | VSS | R24 | VCC |
| G2 | RESETOUT# | T16 | VSS | T24 | VCC |

| Ball No. | Signal Name | Ball No. | Signal Name | Ball No. | Signal Name |
|----------|-------------|----------|-------------|----------|-------------|
| B22 | MIRROR5 | T17 | VSS | U24 | VCC |
| A22 | MIRROR4 | T18 | VSS | AD13 | VCC |
| C23 | MIRROR3 | U12 | VSS | AD14 | VCC |
| B23 | MIRROR2 | U13 | VSS | AD15 | VCC |
| A23 | MIRROR1 | U14 | VSS | AD16 | VCC |
| C24 | MIRROR0 | U15 | VSS | AD17 | VCC |
| D23 | SCANCLK | U16 | VSS | F13 | VCC |
| T27 | RESERVED | U17 | VSS | F14 | VCC |
| F27 | RESERVED | M12 | VSS | F15 | VCC |
| C20 | LA_CLK2 | M13 | VSS | | |
| B20 | LA_CLK1 | M14 | VSS | | |
| A20 | LA_CLK0 | M15 | VSS | | |
| C21 | P_D | P17 | VSS | | |
| E20 | RESERVED | P18 | VSS | | |
| B25 | RESERVED | R12 | VSS | | |

13.4 AC/DC Timing

13.4.1 Absolute Maximum Ratings

| | |
|----------------------------------------|-------------------------|
| Storage Temperature | -65°C to +150°C |
| Operating Temperature | -40°C to +85°C |
| Maximum Junction Temperature | +125°C |
| Supply Voltage VCC with Respect to VSS | +3.0 V to +3.6 V |
| Supply Voltage VDD with Respect to VSS | +2.38 V to +2.75 V |
| Voltage on Input Pins | -0.5 V to (VCC + 3.3 V) |

Caution: Stress above those listed may damage the device. Exposure to the Absolute Maximum Ratings for extended periods may affect device reliability. Functionality at or above these limits is not implied.

13.4.2 DC Electrical Characteristics

VCC = 3.0 V to 3.6 V (3.3v +/- 10%) T_{AMBIENT} = -40°C to +85°C

VDD = 2.5V +10% - 5%

13.4.3 Recommended Operating Conditions

| Symbol | Parameter Description | Min. | Typ. | Max. | Unit |
|---------------|--------------------------------------------------------------------------------------------------------------------------|------|------|----------------|---------|
| f_{osc} | Frequency of Operation | | 100 | | MHz |
| I_{CC} | Supply Current – @ 100 MHz ($V_{CC}=3.3$ V) | | | 450 | mA |
| I_{DD} | Supply Current – @ 100 MHz ($V_{DD}=2.5$ V) | | | 1500 | mA |
| V_{OH} | Output High Voltage (CMOS) | 2.4 | | | V |
| V_{OL} | Output Low Voltage (CMOS) | | | 0.4 | V |
| V_{IH-TTL} | Input High Voltage (TTL 5 V tolerant) | 2.0 | | $V_{CC} + 2.0$ | V |
| V_{IL-TTL} | Input Low Voltage (TTL 5 V tolerant) | | | 0.8 | V |
| I_{IL} | Input Leakage Current (0.1 V < V_{IN} < V_{CC})(all pins except those with internal pull-up/pull-down resistors) | | | 10 | μ A |
| I_{OL} | Output Leakage Current (0.1 V < V_{OUT} < V_{CC}) | | | 10 | μ A |
| C_{IN} | Input Capacitance | | | 5 | pF |
| C_{OUT} | Output Capacitance | | | 5 | pF |
| $C_{I/O}$ | I/O Capacitance | | | 7 | pF |
| θ_{ja} | Thermal resistance with 0 air flow | | | 11.2 | C/W |
| θ_{ja} | Thermal resistance with 1 m/s air flow | | | 10.2 | C/W |
| θ_{ja} | Thermal resistance with 2 m/s air flow | | | 8.9 | C/W |
| θ_{jc} | Thermal resistance between junction and case | | | 3.1 | C/W |
| θ_{jb} | Thermal resistance between junction and board | | | 6.6 | C/W |

13.4.4 Typical Reset & Bootstrap Timing Diagram

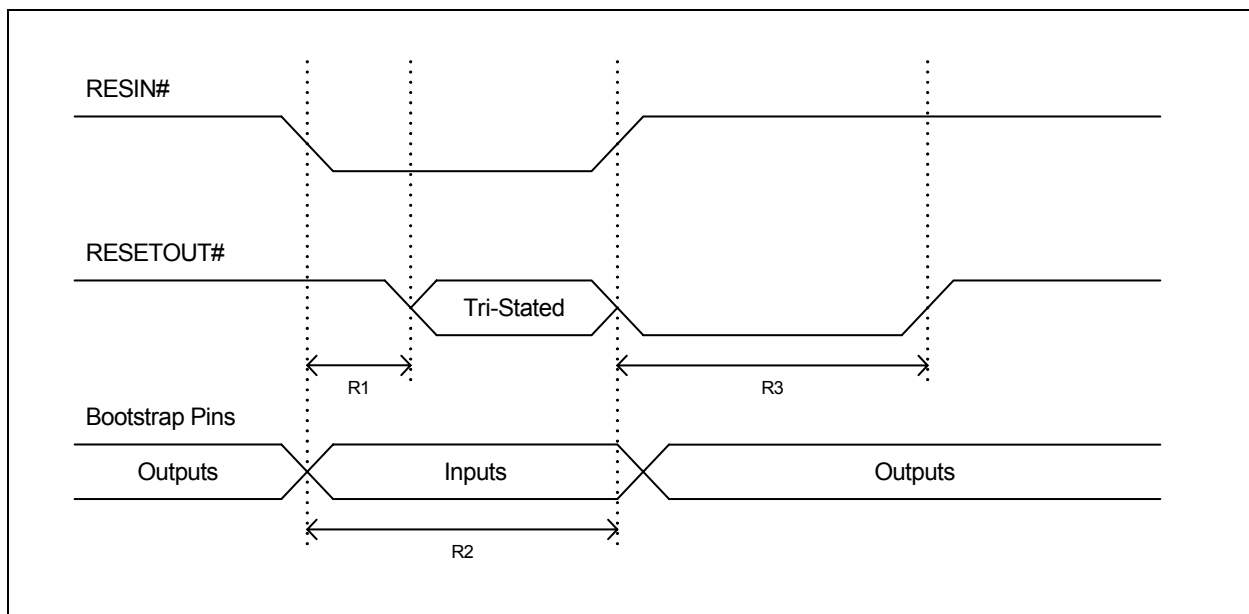


Figure 13 - Typical Reset & Bootstrap Timing Diagram

| Symbol | Parameter | Min. | Typ. | Note |
|--------|-------------------------------------|-----------|------------|--------------------------------------------------------------------------|
| R1 | Delay until RESETOUT# is tri-stated | | 10ns | RESETOUT# state is then determined by the external pull-up/down resistor |
| R2 | Bootstrap stabilization | 1 μ s | 10 μ s | Bootstrap pins sampled on rising edge of RESIN# ^a |
| R3 | RESETOUT# assertion | | 2 ms | |

Table 10 - Reset & Bootstrap Timing

a. The TSTOUT[8:0] pins will switch over to the LED interface functionality in 3 SCLK cycles after RESIN# goes high

13.5 Local Frame Buffer SBRAM Memory Interface

13.5.1 Local SBRAM Memory Interface

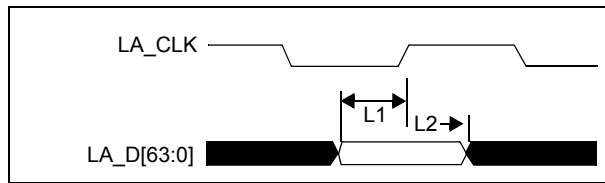


Figure 14 - Local Memory Interface – Input Setup and Hold Timing

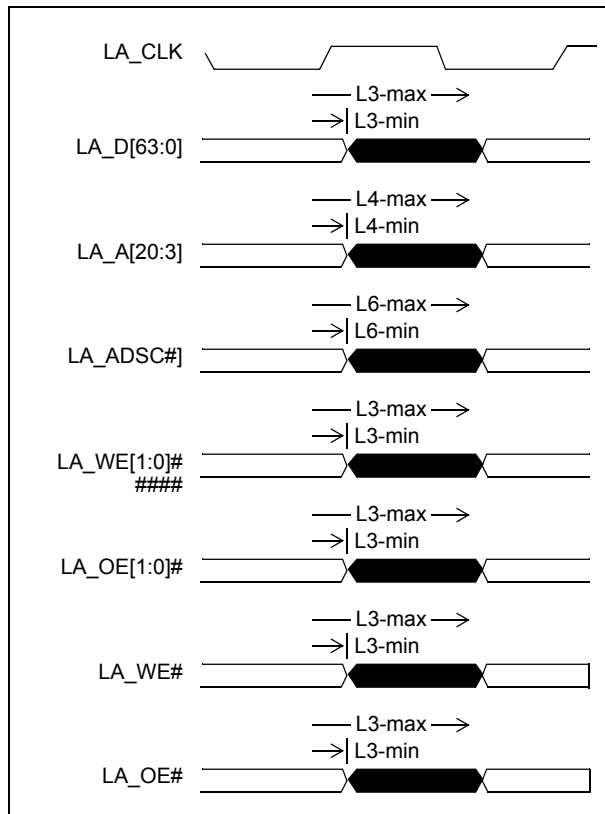


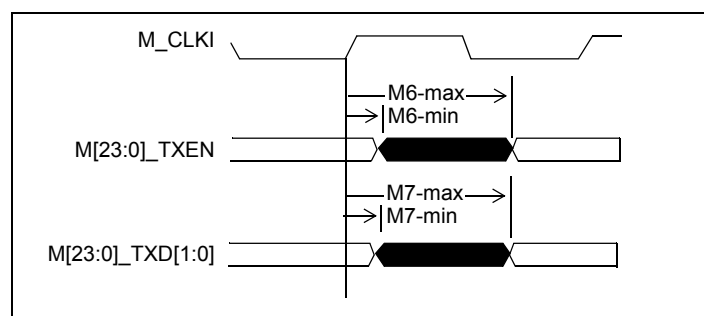
Figure 15 - Local Memory Interface - Output Valid Delay Timing

AC Characteristics – Local frame buffer SBRAM Memory Interface

| Symbol | Parameter | -100 MHz | | Note |
|--------|--------------------------------|-----------|-----------|---------------|
| | | Min. (ns) | Max. (ns) | |
| L1 | LA_D[63:0] input set-up time | 4 | | |
| L2 | LA_D[63:0] input hold time | 1.5 | | |
| L3 | LA_D[63:0] output valid delay | 1.5 | 7 | $C_L = 25$ pf |
| L4 | LA_A[20:3] output valid delay | 2 | 7 | $C_L = 30$ pf |
| L6 | LA_ADSC# output valid delay | 1 | 7 | $C_L = 30$ pf |
| L7 | LA_WE[1:0]#output valid delay | 1 | 7 | $C_L = 25$ pf |
| L8 | LA_OE[1:0]# output valid delay | -1 | 1 | $C_L = 25$ pf |
| L9 | LA_WE# output valid delay | 1 | 7 | $C_L = 25$ pf |
| L10 | LA_OE# output valid delay | 1 | 5 | $C_L = 25$ pf |

13.6 AC Characteristics**13.6.1 Reduced Media Independent Interface**

| Symbol | Parameter | -50 MHz | | Note |
|--------|------------------------------------|-----------|-----------|---------------|
| | | Min. (ns) | Max. (ns) | |
| M2 | M[23:0]_RXD[1:0] Input Setup Time | 4 | | |
| M3 | M[23:0]_RXD[1:0] Input Hold Time | 1 | | |
| M4 | M[23:0]_CRS_DV Input Setup Time | 4 | | |
| M5 | M[23:0]_CRS_DV Input Hold Time | 1 | | |
| M6 | M[23:0]_TXEN Output Delay Time | 2 | 11 | $C_L = 20$ pF |
| M7 | M[23:0]_TXD[1:0] Output Delay Time | 2 | 11 | $C_L = 20$ pF |

Table 11 - AC Characteristics – Reduced Media Independent Interface**Figure 16 - AC Characteristics – Reduced Media Independent Interface**

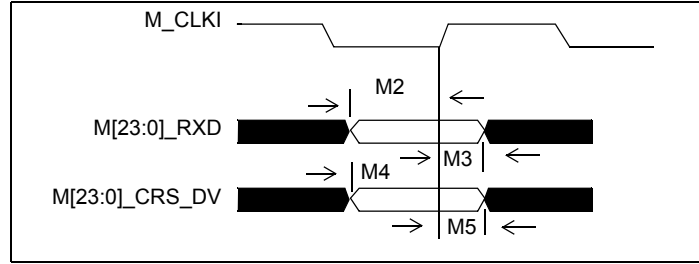


Figure 17 - AC Characteristics – Reduced Media Independent Interface

13.6.2 LED Interface

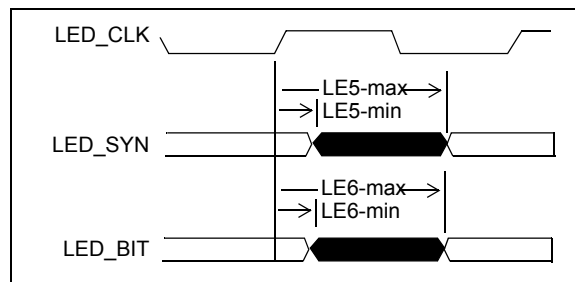


Figure 18 - AC Characteristics – LED Interface

| Symbol | Parameter | Variable FREQ. | | Note |
|--------|----------------------------|----------------|-----------|------------------------|
| | | Min. (ns) | Max. (ns) | |
| LE5 | LED_SYN Output Valid Delay | -1 | 7 | C _L = 30 pf |
| LE6 | LED_BIT Output Valid Delay | -1 | 7 | C _L = 30 pf |

Table 12 - AC Characteristics – LED Interface

13.6.3 SCANLINK SCANCOL Output Delay Timing

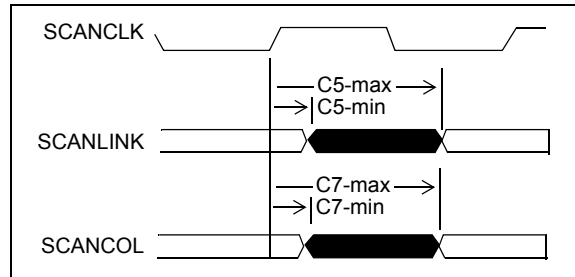


Figure 19 - SCANLINK SCANCOL Output Delay Timing

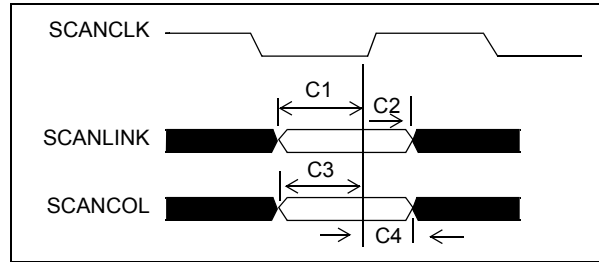


Figure 20 - SCANLINK, SCANCOL Setup Timing

| Symbol | Parameter | -25 MHz | | Note |
|--------|-----------------------------|-----------|----------|------------------------|
| | | Min. (ns) | Max (ns) | |
| C1 | SCANLINK input set-up time | 20 | | |
| C2 | SCANLINK input hold time | 2 | | |
| C3 | SCANCOL input setup time | 20 | | |
| C4 | SCANCOL input hold time | 1 | | |
| C5 | SCANLINK output valid delay | 0 | 10 | C _L = 30 pf |
| C7 | SCANCOL output valid delay | 0 | 10 | C _L = 30 pf |

Table 13 - SCANLINK, SCANCOL Timing

13.6.4 MDIO Input Setup and Hold Timing

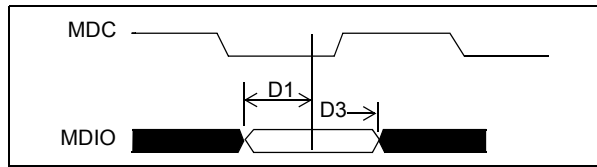


Figure 21 - MDIO Input Setup and Hold Timing

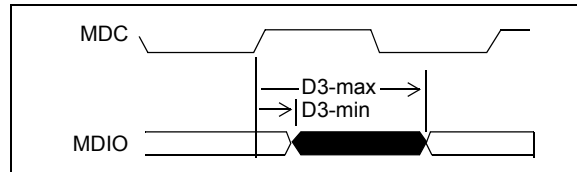


Figure 22 - MDIO Output Delay Timing

| Symbol | Parameter | 1 MHz | | Note |
|--------|------------------------|-----------|-----------|---------------|
| | | Min. (ns) | Max. (ns) | |
| D1 | MDIO input setup time | 10 | | |
| D2 | MDIO input hold time | 2 | | |
| D3 | MDIO output delay time | 1 | 20 | $C_L = 50$ pf |

Table 14 - MDIO Timing

13.6.5 I²C Input Setup Timing

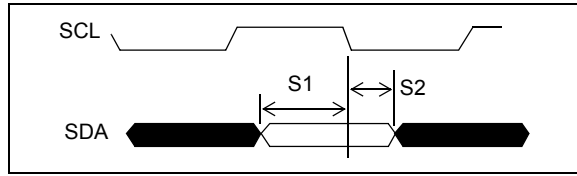


Figure 23 - I²C Input Setup Timing

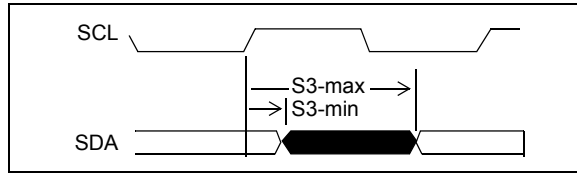


Figure 24 - I²C Output Delay Timing

| Symbol | Parameter | 50 KHz | | Note |
|----------------------------------------------------------------------------------------|-----------------------|-----------|-----------|------------------------|
| | | Min. (ns) | Max. (ns) | |
| S1 | SDA input setup time | 20 | | |
| S2 | SDA input hold time | 1 | | |
| S3* | SDA output delay time | 4 usec | 6 usec | C _L = 30 pf |
| * Open Drain Output. Low to High transistor is controlled by external pullup resistor. | | | | |

Table 15 - I²C Timing

13.6.6 Serial Interface Setup Timing

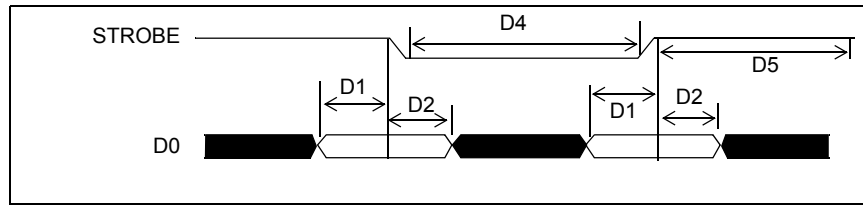


Figure 25 - Serial Interface Setup Timing

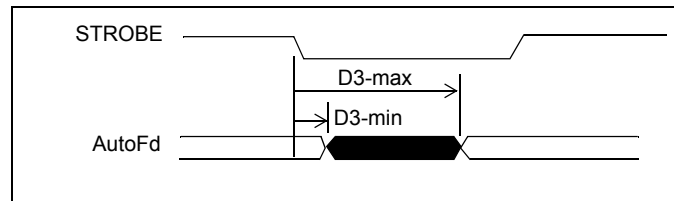
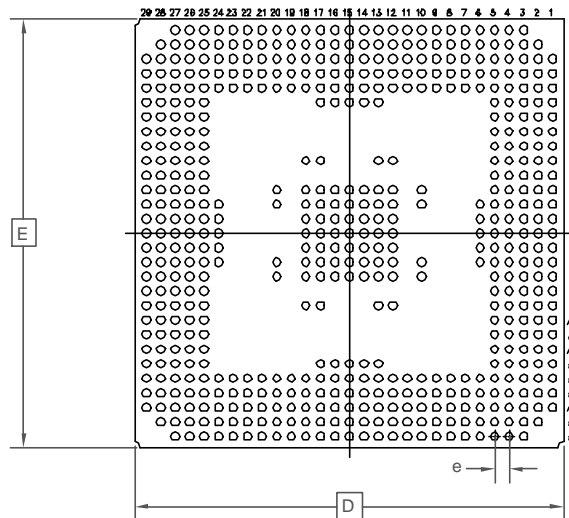
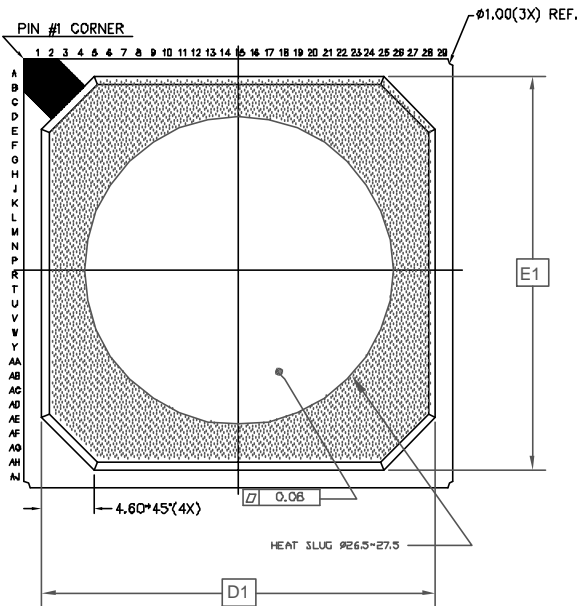


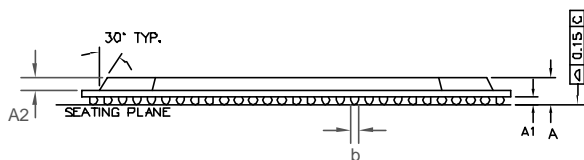
Figure 26 - Serial Interface Output Delay Timing

| Symbol | Parameter | Min. (ns) | Max. (ns) | Note |
|--------|--------------------------|-----------|-----------|----------------|
| D1 | D0 setup time | 20 | | |
| D2 | D0 hold time | 3 μ s | | |
| D3 | AutoFd output delay time | 1 | 50 | $C_L = 100$ pf |
| D4 | Strobe low time | 5 μ s | | |
| D5 | Strobe high time | 5 μ s | | |

Table 16 - Serial Interface Timing



| DIMENSION | MIN | MAX |
|----------------------------|-----------|-------|
| A | 2.20 | 2.46 |
| A1 | 0.50 | 0.70 |
| A2 | 1.17 REF | |
| D | 37.30 | 37.70 |
| D1 | 34.50 REF | |
| E | 37.30 | 37.70 |
| E1 | 34.50 REF | |
| b | 0.60 | 0.90 |
| e | 1.27 | |
| N | 553 | |
| Conforms to JEDEC MS - 034 | | |



NOTE:

1. CONTROLLING DIMENSIONS ARE IN MM
2. DIMENSION "b" IS MEASURED AT THE MAXIMUM SOLDER BALL DIAMETER
3. SEATING PLANE IS DEFINED BY THE SPHERICAL CROWNS OF THE SOLDER BALLS.
4. N IS THE NUMBER OF SOLDER BALLS
5. NOT TO SCALE.
6. SUBSTRATE THICKNESS IS 0.56 MM

© Zarlink Semiconductor 2002 All rights reserved.

| | | | | |
|--------|---------|--|--|--|
| ISSUE | 1 | | | |
| ACN | 213932 | | | |
| DATE | 20Jan03 | | | |
| APPRD. | | | | |



Previous package codes:

BH / G

Package Code GK

Package Outline for 553 Ball HSBGA (37.5x37.5x2.33mm)

GPD00818



**For more information about all Zarlink products
visit our Web Site at
www.zarlink.com**

Information relating to products and services furnished herein by Zarlink Semiconductor Inc. or its subsidiaries (collectively "Zarlink") is believed to be reliable. However, Zarlink assumes no liability for errors that may appear in this publication, or for liability otherwise arising from the application or use of any such information, product or service or for any infringement of patents or other intellectual property rights owned by third parties which may result from such application or use. Neither the supply of such information or purchase of product or service conveys any license, either express or implied, under patents or other intellectual property rights owned by Zarlink or licensed from third parties by Zarlink, whatsoever. Purchasers of products are also hereby notified that the use of product in certain ways or in combination with Zarlink, or non-Zarlink furnished goods or services may infringe patents or other intellectual property rights owned by Zarlink.

This publication is issued to provide information only and (unless agreed by Zarlink in writing) may not be used, applied or reproduced for any purpose nor form part of any order or contract nor to be regarded as a representation relating to the products or services concerned. The products, their specifications, services and other information appearing in this publication are subject to change by Zarlink without notice. No warranty or guarantee express or implied is made regarding the capability, performance or suitability of any product or service. Information concerning possible methods of use is provided as a guide only and does not constitute any guarantee that such methods of use will be satisfactory in a specific piece of equipment. It is the user's responsibility to fully determine the performance and suitability of any equipment using such information and to ensure that any publication or data used is up to date and has not been superseded. Manufacturing does not necessarily include testing of all functions or parameters. These products are not suitable for use in any medical products whose failure to perform may result in significant injury or death to the user. All products and materials are sold and services provided subject to Zarlink's conditions of sale which are available on request.

Purchase of Zarlink's I²C components conveys a licence under the Philips I²C Patent rights to use these components in and I²C System, provided that the system conforms to the I²C Standard Specification as defined by Philips.

Zarlink, ZL and the Zarlink Semiconductor logo are trademarks of Zarlink Semiconductor Inc.

Copyright Zarlink Semiconductor Inc. All Rights Reserved.

TECHNICAL DOCUMENTATION - NOT FOR RESALE
