

Model Name NW34M25WA

Frequency Controlled Crystal Oscillator (FCXO) Clock Generator Modules

Main Application

SONET, SDH, FTTH, Communications equipment

Features

- Dual reference inputs, LVPECL and CMOS outputs
- Simple hardware control for operational mode
- Automatic Free-run upon loss of input reference
- Lock acquisition time < 1 second



* Module markings may be changed without notice.

RoHS Compliant
Directive 2002/95/EC

Specifications

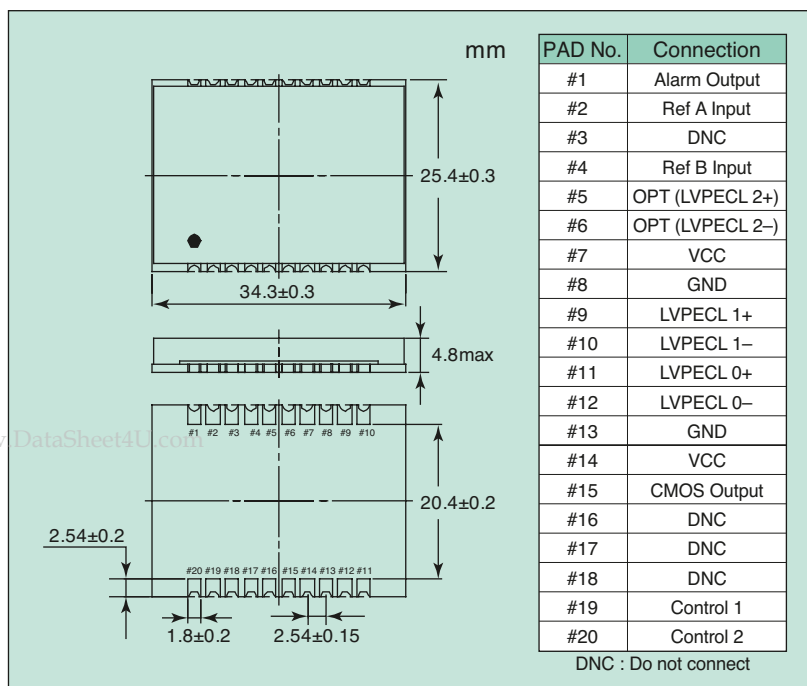
| Item | Model | NW34M25WA |
|-----------------------------------|-------|---|
| Supply Voltage (V _{CC}) | | +3.3 V DC ±5% |
| Current Consumption | | 200 mA typ |
| Operating Temp. Range | | 0 to +70°C |
| Input Level | | 2-CMOS |
| Input Reference Frequency | | 19.44 MHz* |
| Output Levels | | 2(3) LVPECL and 1 CMOS |
| Output Frequencies (MHz) | | 77.76 (LVPECL1, CMOS) and 155.52 (LVPECL0)* |
| Free-run accuracy (at 25°C) | | ±20×10 ⁻⁶ max. |
| Capture / pull-in range | | ±25 ×10 ⁻⁶ min. |

(*other frequencies are available)

List of Ordering Codes

| Input reference frequency (MHz) | Output frequencies (MHz) | | | | Ordering Code |
|---------------------------------|--------------------------|----------|----------|-------|----------------------------|
| | LVPECL 0 | LVPECL 1 | LVPECL 2 | CMOS | |
| 19.44 | 155.52 | 77.76 | High-Z | 77.76 | NW34M25WA-155.52M-NSA3436A |

Dimensions



Control Functions

| Control 1 | Control 2 | Mode of operation |
|-----------|-----------|------------------------|
| 0 | 0 | Lock to Ref A |
| 0 | 1 | Lock to Ref B |
| 1 | 0 | Forced Free-run |
| 1 | 1 | Outputs are Tri-stated |