

OBT200-18GM60-E4-V1

Diffusive sensor

OBT200-18GM60-E4-V1

with 4-pin, M12 connector

www.DataSheet4U.com  

- ◆ Dual colour indication LED
- ◆ High switching frequency
- ◆ Light/dark ON, programmable
- ◆ Strong metallic housing in cylindrical shape M18 x 1
- ◆ Protection degree IP67



Release date: 2006-02-21 15:13 Date of issue: 2006-02-21 087991_ENG.xml

General specifications

Detection range	0 ... 200 mm
Light source	IRET , 880 nm
Approvals	CE, cULus
Reference target	standard white 200 mm x 200 mm
Light type	Infrared
Diameter of the light spot	approx. 40 mm at 200 mm
Ambient light limit	10000 Lux

Indicators/operating means

Operating display	LED green
Function display	dual colour-LED, yellow/green yellow: switching state grün: power on flashing: stability control
Operating elements	sensing range adjuster

Electrical specifications

Operating voltage	10 ... 30 V DC
Ripple	10 %
No-load supply current I_0	≤ 25 mA
Time delay before availability t_v	≤ 25 ms

Output

Switching type	Light/dark on selectable electrically switchable
Signal output	1 NPN output, short-circuit proof, protected from reverse polarity, open collector
Switching voltage	max. 30 V DC
Switching current	max. 100 mA
Voltage drop U_d	≤ 2.5 V
Switching frequency f	≤ 500 Hz
Response time	≤ 1 ms

Standard conformity

Standards	EN 60947-5-2
-----------	--------------

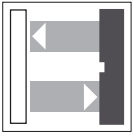
Ambient conditions

Ambient temperature	-25 ... 55 °C (248 ... 328 K)
Storage temperature	-40 ... 70 °C (233 ... 343 K)

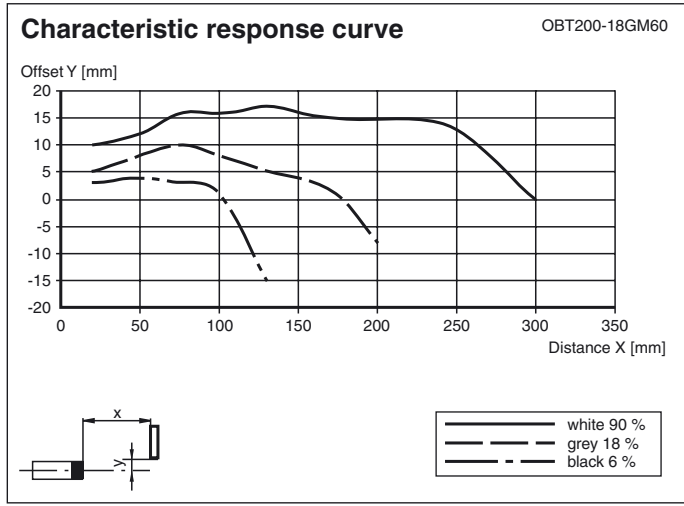
Mechanical specifications

Protection degree	IP67
Connection	connector M12 x 1, 4-pin
Material	
Housing	brass, nickel-plated
Optical face	PC
Mass	45 g

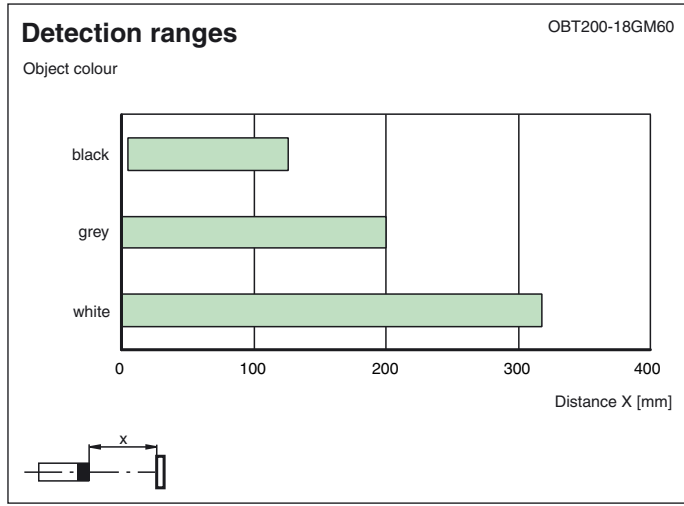
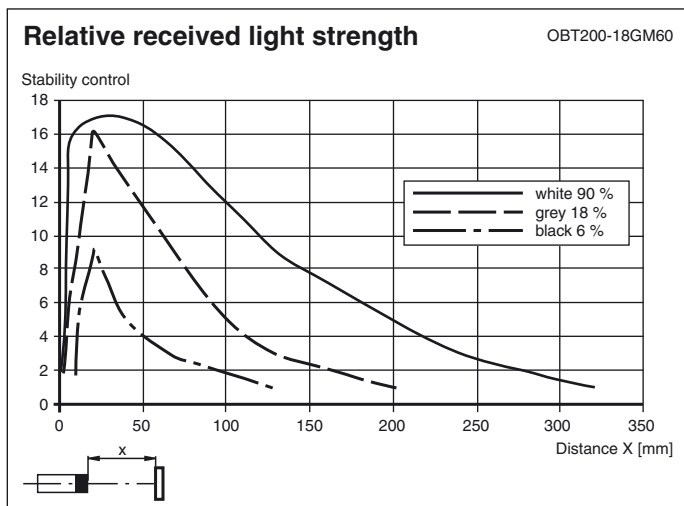
Release date: 2006-02-21 15:13 Date of issue: 2006-02-21 087991_ENG.xml



OBT200-18GM60-E4-V1

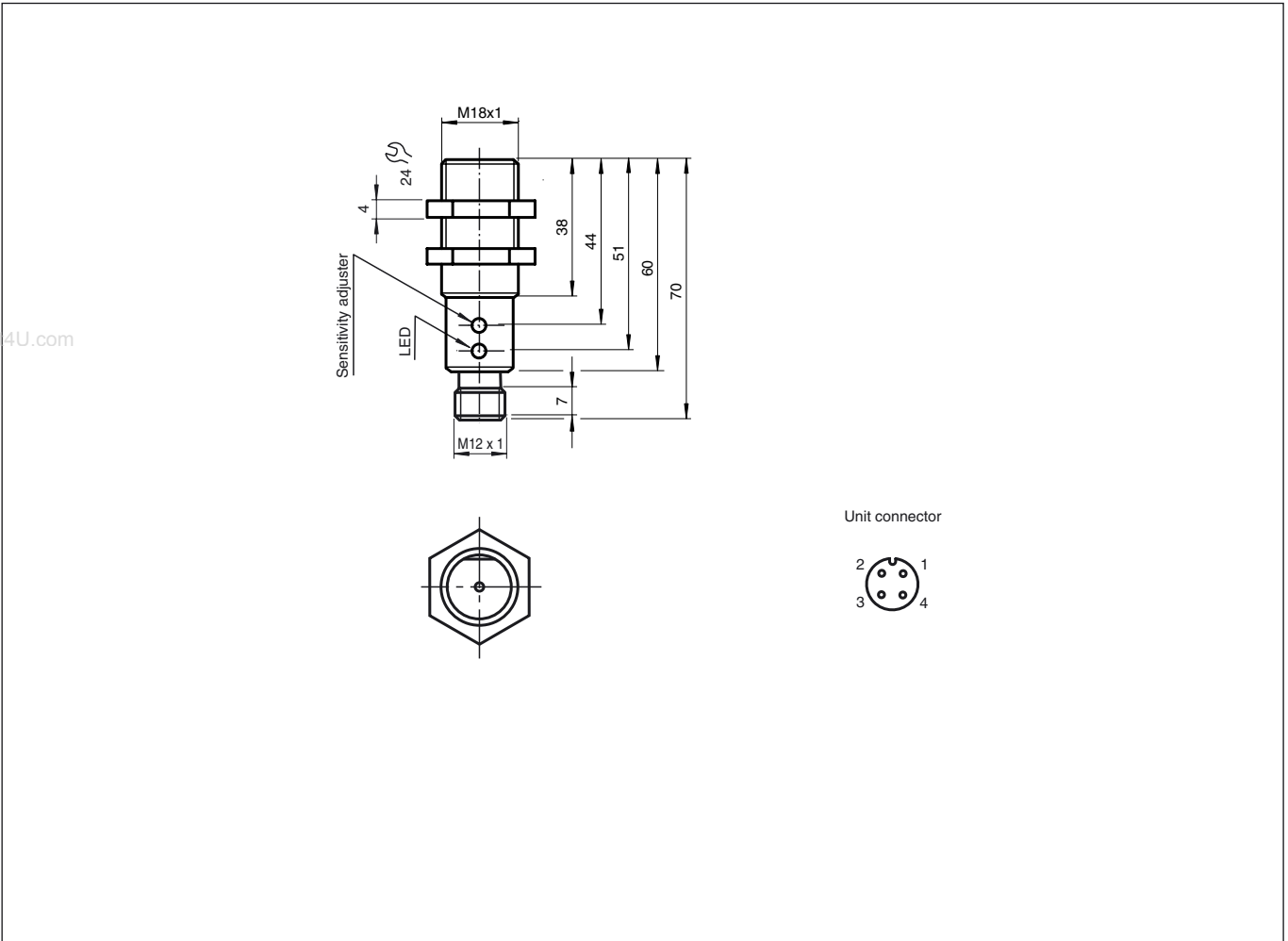


www.DataSheet4U.com

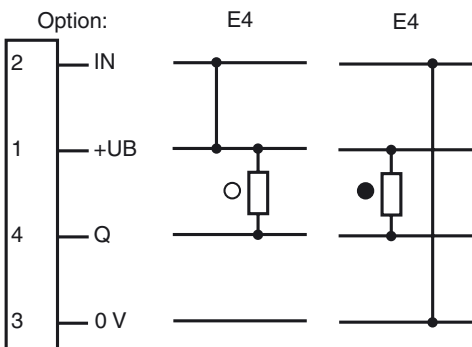


Release date: 2006-02-21 15:13 Date of issue: 2006-02-21 08/7991_ENG.xml

Dimensions



Electrical connection



Caution:

Series 18GM60 devices are not wiring compatible to series 18GM70 devices!

Release date: 2006-02-21 15:13 Date of issue: 2006-02-21 087991_ENG.xml

○ = light on, ● = dark on