

PLEASE CHECK WWW.MOLEX.COM FOR LATEST PART INFORMATION

Part Number: [0357501010](#)
Status: **Active**
Description: Ring Tongue Terminal for 14-18 AWG (0.75~2.08mm²), Stud Size 8 M4, Tin Plating

Documents:

[Drawing \(PDF\)](#) [RoHS Certificate of Compliance \(PDF\)](#)
[Product Specification PS-35750-0300 \(PDF\)](#)

Agency Certification

UL E134962

General

Product Family Ring and Spade Terminals
 Series [35750](#)
 Crimp Quality Equipment Yes
 Mil-Spec N/A
 Product Name N/A
 Type Ring

Physical

Barrel Type Open
 Insulation None
 Material - Plating Mating Tin
 Packaging Type Reel
 Stud Size 8 (M4)
 Temperature Range - Operating -40°C to +105°C
 Termination Interface: Style Crimp or Compression
 Wire Insulation Diameter 3.20mm (.126") max.
 Wire Size AWG 14, 16, 18
 Wire Size mm² 0.75 - 2.08

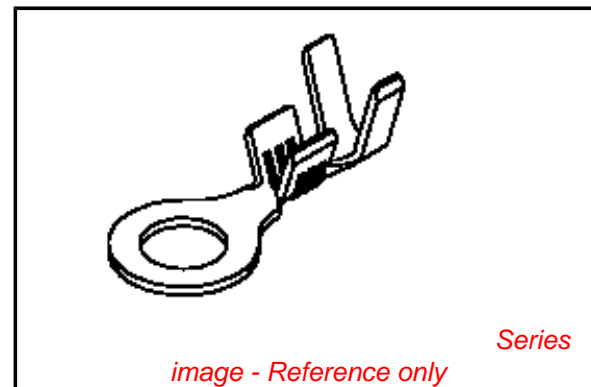
Electrical

Voltage - Maximum 300V AC

Material Info

Reference - Drawing Numbers

Product Specification PS-35750-0300
 Sales Drawing SD-35750-001



EU RoHS

**ELV and RoHS
 Compliant**
**REACH SVHC
 Contains SVHC: No**
**Halogen-Free
 Status**

China RoHS



**Need more information on product
 environmental compliance?**

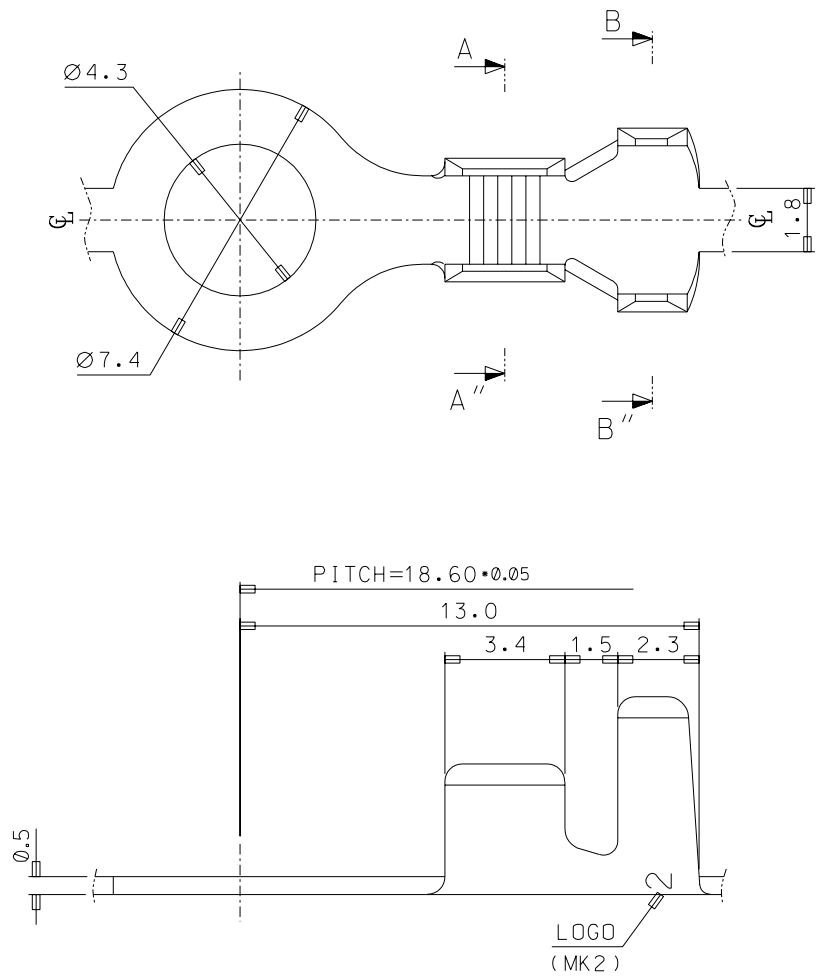
Email productcompliance@molex.com
 For a multiple part number RoHS Certificate of
 Compliance, [click here](#)

Please visit the [Contact Us](#) section for any
 non-product compliance questions.

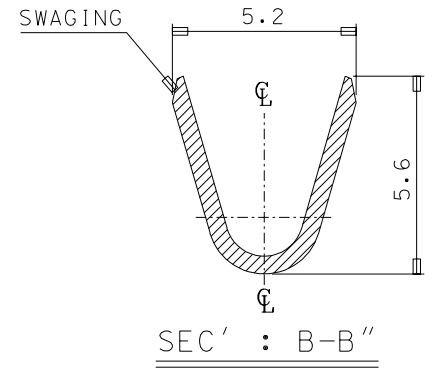
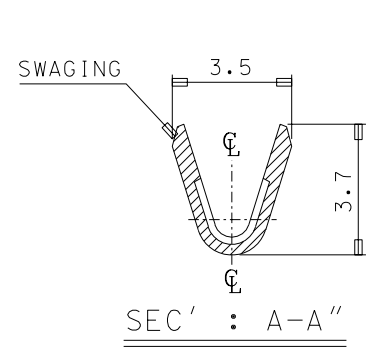
Search Parts in this Series
[35750Series](#)

DO NOT SCALE DRAWING
DIMENSION IN METRIC

PROJECT NO. \varnothing 4.3 RING TERMINAL
SIMILAR ITEM
DWG. NO. SD-35750-001



- NOTES
1. MATERIAL : BRASS , 0.5mm THICKNESS
 2. FINISH : 35750-1000 (UNPLATED)
35750-1010 (PRE-PLATED TIN)
35723-0804 (POST-PLATED TIN-LEAD)
 3. RECOMMENDED LENGTH OF WIRE STRIP IS 4.8-5.4mm.
 4. APPLICABLE WIRE : AWG #18-#14 (0.75-2.08mm²)
INSULATION DIA. : \varnothing 3.2mm MAX.



REDRAWN EC NO. KOR2005-0017 DRWN: C.-B. CHIN 04/08/23 CHK: W. Y. YANG APPR: C. W. LEE	QUALITY SYMBOLS MAJOR $\blacktriangledown = 0$ CRITICAL $\blacktriangle = 0$	GENERAL TOLERANCES: (UNLESS SPECIFIED)		SCALE 7:1	DESIGN UNITS <input checked="" type="checkbox"/> mm <input type="checkbox"/> INCH	THIRD ANGLE PROJECTION	DIMENSIONS: <input type="checkbox"/> mm <input type="checkbox"/> INCH <input checked="" type="checkbox"/> mm ONLY	SHT REVISE ON CAD ONLY
		4 PLACES $\pm 0.$ $\pm.$ 3 PLACES $\pm 0.$ $\pm.$ 2 PLACES ± 0.2 $\pm.$ 1 PLACE ± 0.3 $\pm.$	DRAWN BY & DATE J.S.KANG 97/12/04 CHECKED BY & DATE B.K.CHOI 97/12/04 APPROVED BY & DATE C.W.LEE 97/12/04	TITLE: \varnothing 4.3 RING TERMINAL			MATERIAL NO. SEE NOTES	DRAWING NO. SD-35750-001
E1	DESCRIPTION REV	ANGULAR: $\pm 1^\circ$		CAD FILENAME s7501000.dgn			THIS DRAWING CONTAINS INFORMATION THAT IS PROPRIETARY TO MOLEX INCORPORATED AND SHOULD NOT BE USED WITHOUT WRITTEN PERMISSION.	SIZE B