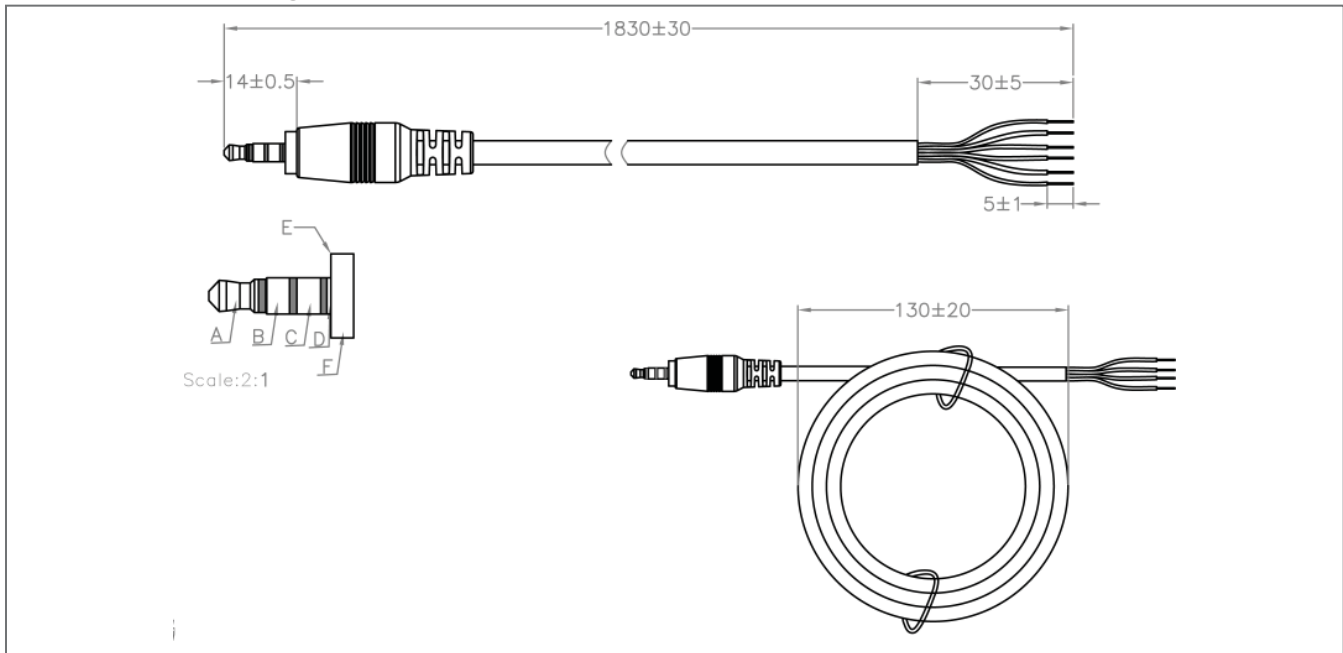


Specifications:

cable description	6 conductor (red, yellow, green, black, blue, white), 0.16x7, aluminum foil shield (0.2x7)
receptacle overmold	black PVC
cable outer diameter	4.5
cable material	non UL 60P
cable color	black
cable gauge	AWG #26
cable length	1830
plug description	P/N 50-00009
twist tie	14 cm black
max voltage	300 V/S 0.5mA
max current	2 A

Notes: RoHS compliant

Mechanical drawing:



Wiring diagram:

A	Tip, Red Wire
B	1st Ring, Black Wire
C	2nd Ring, Yellow Wire
D	3rd Ring, White Wire
E	Inside Sleeve, Green Wire
F	Outside Sleeve, Blue Wire

tolerance .X: ±0.5 mm .XX: ±0.2 mm

Revision notes:

Rev	Date	Description
A	January 19, 2009	Re-issue. Original specification issued by CUI; re-issued by Tensility without any material or mechanical changes.
A1	May 11, 2009	added Tensility P/N 50-00009 to specification