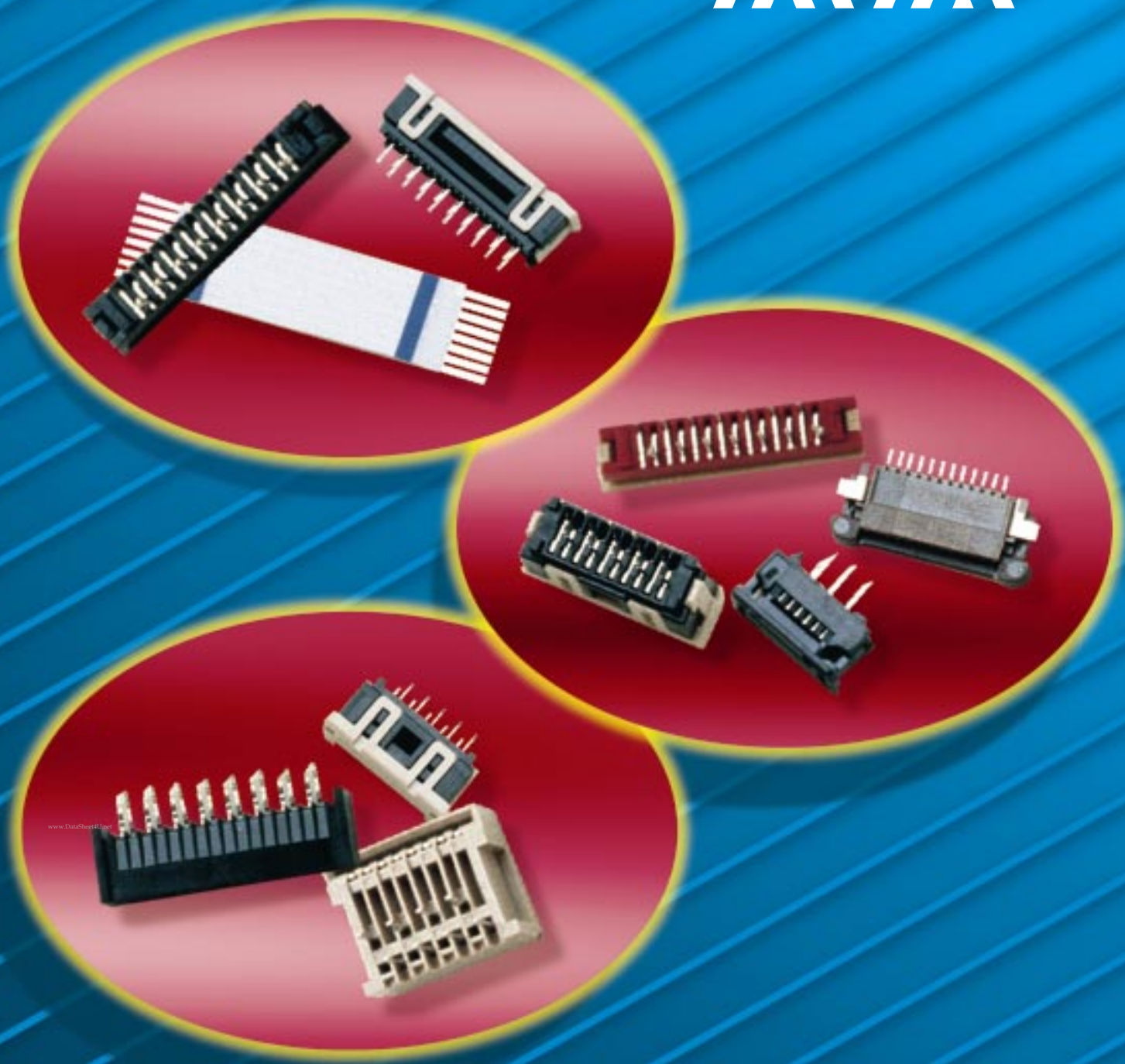


AVX



ELCO FFC/FPC Connectors

Product Overview Guide



PITCH	SERIES	SOLDERING		STYLE				Ag/C TYPE	POSITION NUMBER	CONTACT	HEIGHT (in mm)		Current Rating	Voltage Rating
		SMT	DIP	ZIF	LIF	ST	RA				ST	RA		
1.25mm	5062		○	NON	NON	○			5P~23P	NON DIRECT-IN	5.0		1A	125V
	6203		○		○	BOTTOM ENTRY			5P~12P	SINGLE	5.5		1A	125V
	6205		○	○		○			8P~40P	SINGLE	8.9		1A	125V
	6207	○			○	○	○		5P~20P	DOUBLE	7.0	3.5	1A	125V
	6216		○		○	○	○		4P~40P	SINGLE TOP/BOTTOM	7.0	4.2	1A	125V
	8370		○		○	○	○	○	4P~30P	DOUBLE	7.2	4.2	1A	125V
1.00mm	6200	○	○	○			○	○	5P~30P	SINGLE BOTTOM		2.9	1A	50V
	6208	○	○	○		○		○	5P~30P	SINGLE	5~5.5		1A	50V
	6224	○		○			○	○	5P~30P	SINGLE TOP		2.9	1A	50V
	6226	○			○	○			6/16P	DOUBLE	3.5		1A	50V
	6227	○			○		○		5P~20P	DOUBLE		2.0	1A	50V
	6228		○		○	○	○		3P~22P	SINGLE TOP	4.8	3.0	0.5A	50V
	6229	○	○	○		○			40P	SINGLE	5.7		1A	50V
	6231	○			○	○			26P	SINGLE	5.5		1A	50V
	6232	○	○		○	○	○		3P~30P	SINGLE TOP/BOTTOM	5.5	3.0	0.5A	50V
	6233		○		○		○		15P	SINGLE BOTTOM		2.0	1A	50V
	6237	○		○			○		28/30P	SINGLE BOTTOM		2.0	0.4A	50V
0.80mm	6206	○			○		○		4P~20P	DOUBLE		2.0	0.5A	50V
	6218	○			○	○			10P(5PX2)	DOUBLE	3.5		0.5A	50V
0.50mm	6210	○		○			○		5P~30,33,36,40P	SINGLE BOTTOM		2.0	0.4A	50V
	6212	○		○			○		5P~30,33,35,36,40P	SINGLE TOP		2.0	0.4A	50V
	6214	○		○		○			6P~30P	SINGLE	4.1		0.4A	50V
	6222	○			○		○		5P~30P	SINGLE BOTTOM		1.95	0.4A	50V
	6223	○			○		○		5P~30P	SINGLE TOP		1.95	0.4A	50V
	6239	○		○			○		5P~30P	SINGLE BOTTOM FLIP TOP		1.5	0.4A	50V
	6240	○		○			○		30P~50P	SINGLE BOTTOM FLIP TOP		2.0	0.4A	50V
	6244	○			○		○		12/14/20/22	SINGLE	4.1		0.4A	50V
0.30mm	*6245	○		○			○		51P	SINGLE BOTTOM		2.0		

*Under Development

APPLICATION

Flat flexible circuits can save up to 75% of the space and 85% of the weight used by traditional round wire cables. Tremendous cost savings can be achieved based on faster assembly and ease of handling. FFC/FPC are used for their remarkable features in many products and applications.

APPLICATIONS INCLUDE;

- Car/Mobile Phones
- Hand-Held Scanners
- Keyboards/Keypads
- Disk Drives
- Printers
- Fax Machines
- Audio/Video Equipment
- Global Positioning Systems (GPS)
- Laptop/Notebook Computers
- Pen-Based Computers

FEATURES & BENEFITS;

- Low Profile
- Gas Tight High Pressure Contact
- Space Efficient & Lightweight
- Carbon Paste Contact Available for Membrane Flex
- One-Step Installation
- No Application Tooling Required
- Packaged for Automated Production Lines
- True Metric Dimensions
- UL File # E67646

NOTICE: Specifications are subject to change without notice. Contact your nearest AVX Sales Office for the latest specifications. All statements, information and data given herein are believed to be accurate and reliable, but are presented without guarantee, warranty or responsibility of any kind, expressed or implied. Statements or suggestions concerning possible use of our products are made without representation or warranty that any such use is free from patent infringement and are not recommendations to infringe any patent. The user should not assume that all safety measures are indicated or that other measures may not be required. Specifications are typical and may not apply to all applications.

Contents



Product Overview Guide	2	
History of FFC/FPC	4 - 7	
Selector Guide	8	
0.50mm Pitch		
0.50mm Product Selector Guide	9	
Series #		
6210	ZIF Right Angle SMT / Tape and Reel Specification	10 - 11
6212	ZIF Right Angle SMT / Tape and Reel Specification	12 - 13
6214	ZIF Straight SMT / Tape and Reel Specification	14 - 15
6222	LIF Right Angle SMT / Tape and Reel Specification	16 - 17
6223	LIF Right Angle SMT / Tape and Reel Specification	18 - 19
6239	ZIF Right Angle SMT / Tape and Reel Specification	20 - 21
6240	ZIF Right Angle SMT / Tape and Reel Specification	22 - 23
6244	LIF Straight SMT / Tape and Reel Specification	24
0.80mm Pitch		
0.80mm Product Selector Guide	25	
Series #		
6206	LIF Right Angle SMT / Tape and Reel Specification	26 - 27
6218	LIF Straight SMT	28
1.00mm Pitch		
1.00mm Product Selector Guide	29 - 30	
Series #		
6200	ZIF Right Angle Through-Hole, ZIF Right Angle SMT / Tape and Reel Specification	31 - 34
6208	ZIF Straight Through-Hole, ZIF Straight SMT / Tape and Reel Specification	35 - 37
6224	ZIF Right Angle SMT / Tape and Reel Specification	38 - 40
6226	LIF Straight SMT	41
6227	LIF Right Angle SMT / Tape and Reel Specification	42 - 43
6228	LIF Right Angle and Straight Through-Hole	44 - 45
6229	ZIF Straight Through-Hole, ZIF Straight SMT	46 - 47
6231	LIF Straight SMT	48
6232	LIF Right Angle & Straight Through-Hole, LIF Right Angle and Straight SMT / Tape and Reel Specification	49 - 55
6237	ZIF Right Angle SMT	56
1.25mm Pitch		
1.25mm Product Selector Guide	57	
Series #		
5062	Direct Solder, Through-Hole	58
6203	LIF Right Angle Through-Hole (Bottom Entry)	59
6205	ZIF Straight Through-Hole	60
6207	LIF Right Angle and Straight SMT	61 - 62
6216	LIF Right Angle Through-Hole (dual), LIF Straight Through-Hole (high pin)	63 - 67
8370	LIF Right Angle and Straight Through-Hole	68 - 69
Appendix - Other products	70	

History of FFC/FPC



In the 1970's, Flat Flexible Cables (FFC) were adopted as a standard interface to jumper between printed circuit boards. While these cables provided design engineers significant packaging flexibility, the termination technology was limited to only two methods:

- Direct Solder: permanent connection for low cost applications.
- Crimped Contacts: separable connection for high end plugability.

Seeing the need for a cost effective termination solution, Elco developed the first card edge style connector in 1986 which would mate directly to the

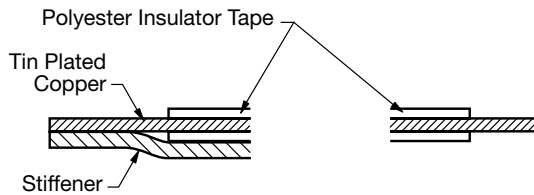
FFC. This Low Insertion Force (LIF) type connector provided simple and reliable mating and unmating of the cable to the printed circuit board. Elco's 8370 Series quickly became an industry standard for cost effective FFC terminations. In 1987, Elco introduced the first Zero Insertion Force (ZIF) connector, Series 6200, which provided increased mating and unmating (durability) cycles.

Since that time, Elco has continued to lead the industry with state-of-the-art products. Today we offer over 25 different product series for flex circuits ranging between 1.25mm and 0.50mm pitch.

FFC/FPC COMPOSITION

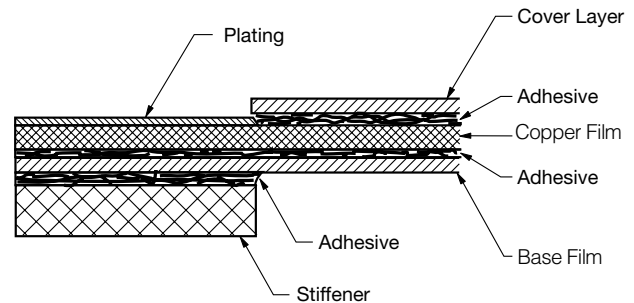
FFC

Flat Flexible Cable (FFC) is made up of thin rectangular copper conductors laminated between two layers of polyester insulation. These copper conductors are left uncovered on each end and then tin plated to make electrical contact with the connector. A stiffener is bonded to the cable end which provides mechanical stability for the exposed copper conductors during mating and unmating. This type of cable is used when a straight one-to-one connection is required.



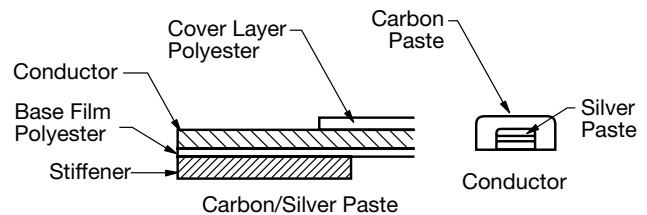
FPC

Flexible Printed Circuits (FPC) are similar in construction to the FFC except that copper film is chemically etched to produce a specific pattern. While these circuits are custom made for each application, various shapes and geometrics can solve the toughest packaging problems.



CARBON PASTE

Screen printing with conductive ink is the newest form of FPC (called membrane) being produced today. In this application, carbon/silver (c/ag) paste replaces the traditional copper conductor. While very soft and easily damaged, these membrane circuits are cost effective to produce and are lightweight.



History of FFC/FPC

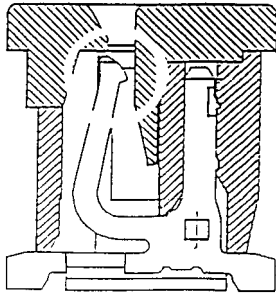


CONTACT DESIGN

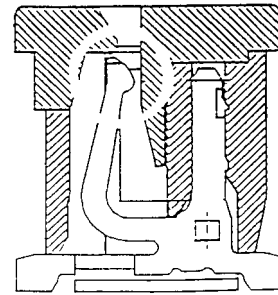
In keeping pace with FFC/FPC Technology, Elco has developed two different contact geometrics to guarantee reliable gas tight connections. The standard contact, which is available in all series, was designed to mate with all copper based FFC/FPC. This initial

contact system proved to be too damaging to the softer carbon silver paste. In 1985, Elco introduced the first contact specifically designed for this application. Incorporating a radiused point, this new contact provides the reliability needed to meet today's mechanical and environmental environments.

STANDARD CONDUCTOR



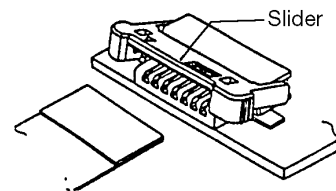
C/Ag CONDUCTOR



CONNECTOR TERMINOLOGY

ZIF (Zero Insertion Force)

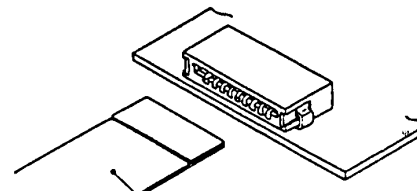
This connector style allows the highest possible number of mating cycles (30) for FFC/FPC. This connector incorporates a mechanical slider mechanism which snaps down over the cable after it is inserted into the insulator body.



ZIF

LIF (Low Insertion Force) / NON ZIF

This style is the most cost effective FFC/FPC connector while still providing reliability. The prepared cable is gently pressed into the insulator slot. There are no moving parts, however, maximum durability is 10 mating cycles.



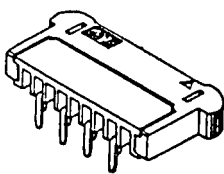
LIF

FUNCTIONAL COMPARISON OF ZIF AND LIF

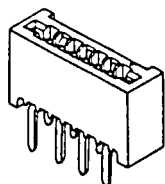
	Durability	Reliability	Cost	Size
ZIF	Better	Better	Good	Good
LIF	Good	Good	Better	Better

PCB TERMINATION STYLE

THROUGH HOLE

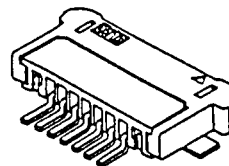


Right Angle

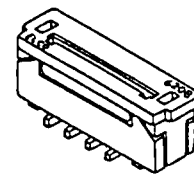


Straight

SURFACE MOUNT



Right Angle



Straight

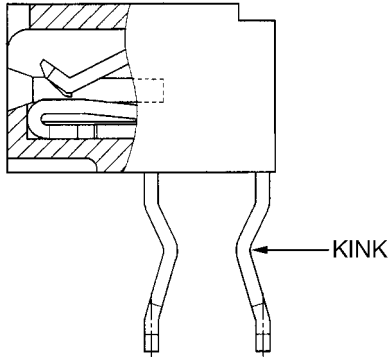
History of FFC/FPC



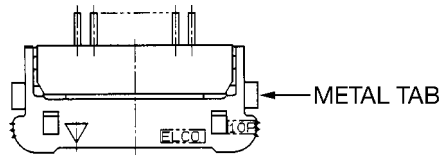
PLACEMENT FEATURES

These help to position the connector on the printed circuit board and provide mechanical support, especially in SMT applications.

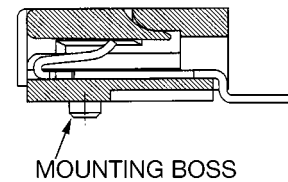
KINKED LEGS



METAL TAB



MOUNTING BOSS



CONTACT ORIENTATION

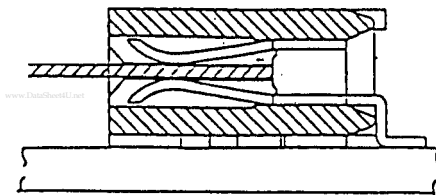
Dual Sided Contacts (LIF Only): Cable orientation is not as critical.

Single Sided Contacts (Includes Top and Bottom): This style requires the FFC/FPC to be inserted into the insulator where by the exposed copper matches with the contact.

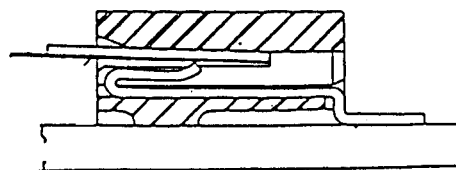
Choosing the correct connector eliminates flipping the FFC/FPC 180°. EXAMPLES:

		Bottom Contact	Top Contact
1.00mm	ZIF	6200	6224
0.50mm	ZIF	6210	6212
0.50mm	LIF	6222	6223

DUAL SIDED



SINGLE SIDED-BOTTOM CONTACT

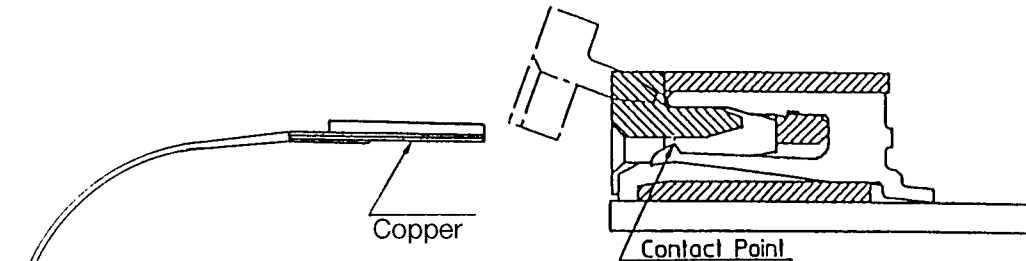


FUNCTIONAL COMPARISON OF DUAL AND SINGLE SIDED LIF CONTACTS

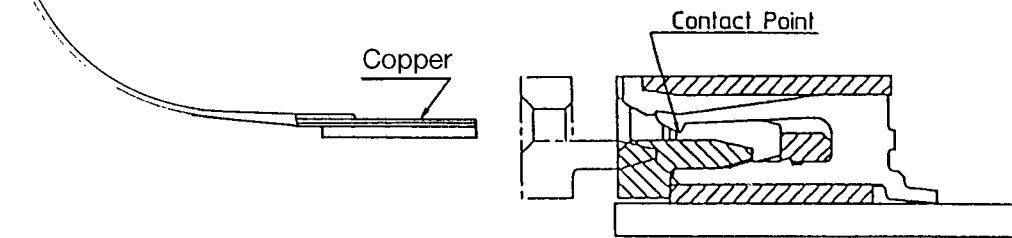
	Durability	Reliability	Cost	Orientation
Dual	Good	Better	Good	None
Single	Better	Good	Better	Yes

TYPICAL SINGLE SIDED CONTACT APPLICATION

6210 Series
Bottom Contact Type



6212 Series
Top Contact Type



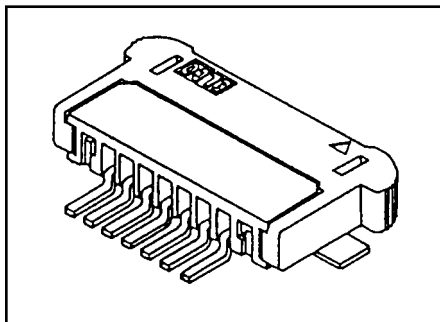
NEW FEATURES TO LOOK FOR:

- Standard 30-50 position 0.50mm pitch ZIF connectors (Series 6240)
- 1.50mm insulator height – lowest in the industry (Series 6239)
- New cost effective 0.50mm LIF connectors (Series 6222 and 6223)
- Enhanced line of 1.00mm LIF connectors (Series 6226, 6227 and 6232)
- Integral pick and place flange (eliminates Kapton tape) for straight SMT application (Series 6232)
- New time saving flip-top ZIF (Series 6239 and 6240)
The flip-top/one-touch lock saves time in inserting or withdrawing the cable. Additionally, it saves valuable PCB space as the lock does not extend outside the footprint profile of the connector when opened.

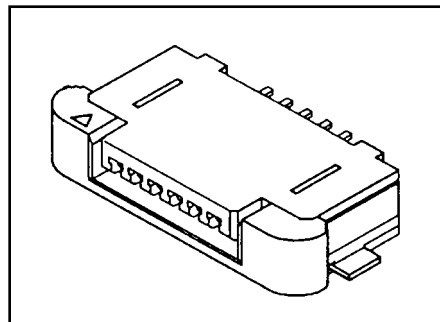
Selector Guide



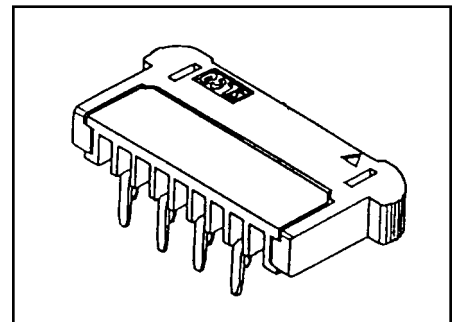
Style	SMT				THROUGH-HOLE				
	Straight		Right Angle		Straight		Right Angle		Bottom Entry
	ZIF	LIF	ZIF	LIF	ZIF	LIF	ZIF	LIF	LIF
0.50 mm pitch	6214	6244	6210 6212 6239 6240	6222 6223					
0.80 mm pitch		6218		6206					
1.00 mm pitch	6208 6229	6226 6231 6232	6200 6224 6237	6227 6232	6208 6229	6228 6232	6200	6228 6232	
1.25 mm pitch		6207		6207	6205	6216 8370		6216 8370	6203



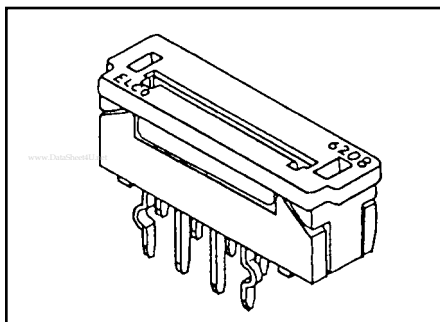
SMT ZIF Right Angle Bottom Contact
Series 6200, 6210, 6237, 6239 & 6240



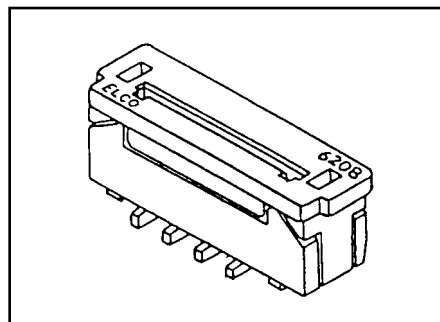
SMT ZIF Right Angle Top Contact
Series 6212 & 6224



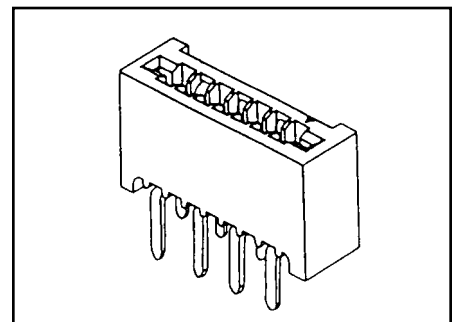
Through-Hole ZIF Right Angle
Series 6200



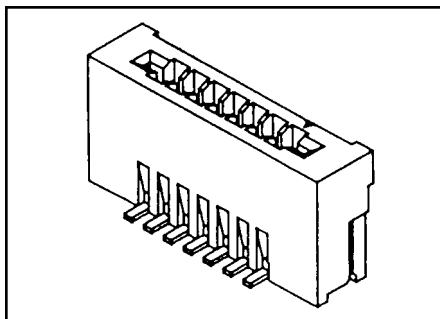
Through-Hole ZIF Straight
Series 6205, 6208 & 6229



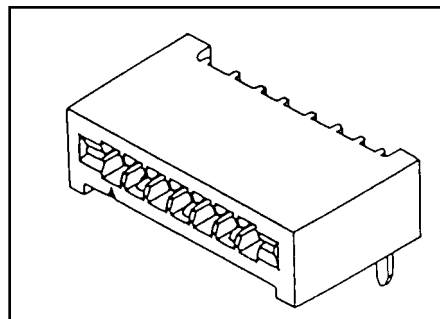
SMT ZIF Straight
Series 6208, 6214 & 6229



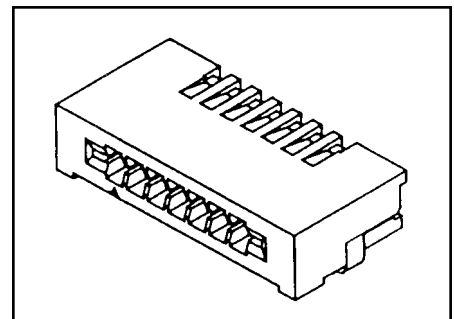
Through-Hole LIF Straight
Series 6216, 6232 & 8370



SMT LIF Straight
Series 6207, 6218, 6226, 6232 & 6244



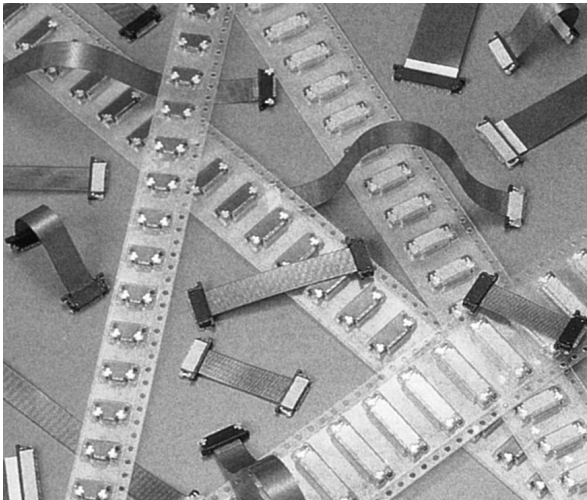
Through-Hole LIF Right Angle
Series 6201, 6216, 6228, 6232 & 8370



SMT LIF Right Angle Bottom Contact
Series 6206, 6207, 6223 & 6232

0.50mm Pitch

Product Selector Guide



SMT			
Straight		Right Angle	
ZIF	LIF	ZIF	LIF
6214	6244	6210 6212 6239 6240	6222 6223

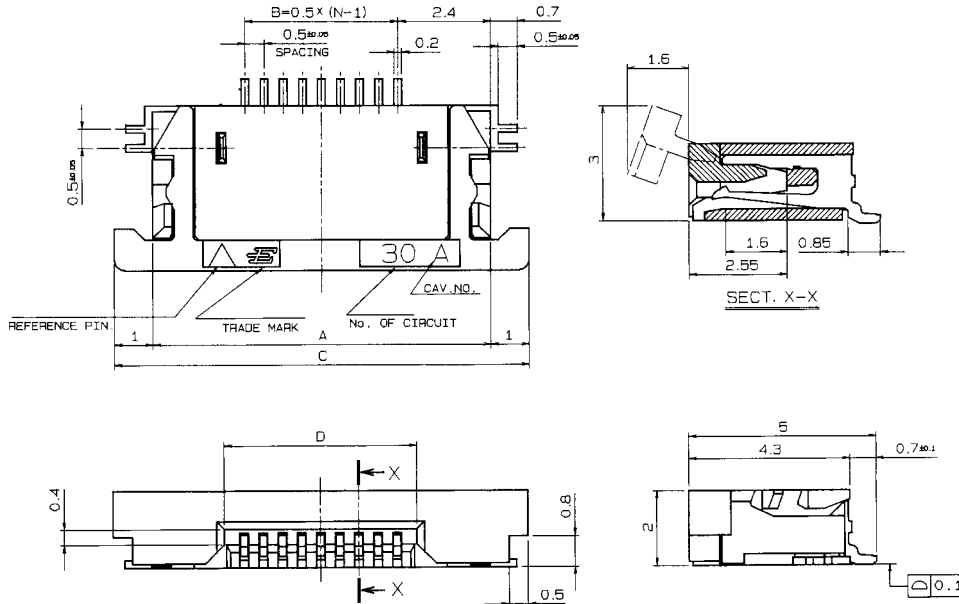
SERIES	6210	6212	6214	6222	6223	6239	6240	6244
Style	ZIF R/A SMT	ZIF R/A SMT	ZIF Straight SMT	LIF R/A SMT	LIF R/A SMT	ZIF R/A SMT ONE-TOUCH LOCK	ZIF R/A SMT ONE-TOUCH LOCK	LIF Straight SMT
Contact	Bottom	Top	Single	Bottom	Top	Bottom	Bottom	Single
Height	2.00mm	2.00mm	4.10mm	1.95mm	1.95mm	1.50mm	2.00mm	4.10mm
Number of Contacts	5-30,33,36,40	5-30,33,35,36,40	6-30	5-30	5-30	5-30	30-50	12,14,20,22
Current Rating	0.4A Max.	0.4A Max.	0.4A Max.	0.4A Max.	0.4A Max.	0.4A Max.	0.4A Max.	0.4A Max.
Voltage Rating	50V Max.	50V Max.	50V Max.	50V Max.	50V Max.	50V Max.	50V Max.	50V Max.
Dielectric Withstanding Voltage	200Vrms	200Vrms	200Vrms	200Vrms	200Vrms	200Vrms	200Vrms	200Vrms
Contact Material	Phosphor Bronze, Tin-Plated							
Insulator Material	Glass-filled Nylon	Glass-filled Nylon	Glass-filled Nylon	Glass-filled PPS	Glass-filled PPS	Glass-filled Nylon	Glass-filled PPS	Glass-filled Nylon
FFC/FPC Thickness	0.3±0.05mm	0.3±0.05mm	0.3±0.05mm	0.3±0.05mm	0.3±0.05mm	0.3±0.05mm	0.3±0.05mm	0.3±0.05mm
Page	10 - 11	12 - 13	14 - 15	16 - 17	18 - 19	20 - 21	22 - 23	24

0.50mm Pitch

Series 6210

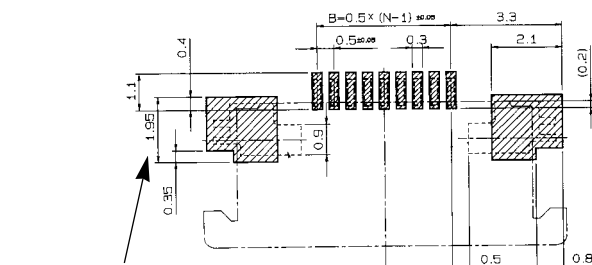


ZIF Right Angle SMT (Bottom Contact)



Specifications

- Number of Contacts – 5-40
- 2000 Connectors per Tape & Reel
- Voltage – 50 V
- Current Rating – 0.4 amp max.
- Dielectric Withstanding Voltage – 200V RMS min.
- Operating Temperature – (-40°C - +85°C)
- Contact Material – phosphor bronze (tin-lead plated)
- Insulator Material – nylon 46, natural color
- Slider Material – PPS, natural color (UL 94 V-O)
- FFC/FPC Thickness – 0.3 ± 0.05 mm (0.012 ± 0.002 ")
- Profile Height – 2mm



1.95 = Small Metal Tab
2.80 = Large Metal Tab

MOUNTING LAYOUT

	FFC		FPC	
	1	2	1	2
M	0.5 ± 0.1	0.5 ± 0.06	0.5 ± 0.12	0.5 ± 0.1
P	0.5 ± 0.03	0.5 ± 0.05	0.5 ± 0.02	0.5 ± 0.05
B	$B \pm 0.03$	$B \pm 0.05$	$B \pm 0.03$	$B \pm 0.05$
W	$W \pm 0.07$	$W \pm 0.07$	$W \pm 0.07$	$W \pm 0.07$
Wp	$0.3^{+0.05}_{-0.02}$	$0.3^{+0.05}_{-0.02}$	$0.35^{+0.04}_{-0.03}$	$0.35^{+0.05}_{-0.03}$

FFC, FPC SPECIFICATION

ORDERING CODE

08 6210 0XX XXX 800

340 (Small metal tab/strain relief)
- Preferred option

010 (Large metal tab/strain relief)

NUMBER OF CONTACTS (05-30,33,36,40)

TAPE AND REEL

See page 11 for Tape and Reel detail.

PART NUMBER	NO. OF CONTACTS	A	B	C	D	QTY. PER REEL
08 6210 005 XXX 800	5	6.8	2.0	8.8	3.1	2000
006	6	7.3	2.5	9.3	3.6	2000
007	7	7.8	3.0	9.8	4.1	2000
008	8	8.3	3.5	10.3	4.6	2000
009	9	8.8	4.0	10.8	5.1	2000
010	10	9.3	4.5	11.3	5.6	2000
011	11	9.8	5.0	11.8	6.1	2000
012	12	10.3	5.5	12.3	6.6	2000
013	13	10.8	6.0	12.8	7.1	2000
014	14	11.3	6.5	13.3	7.6	2000
015	15	11.8	7.0	13.8	8.1	2000
016	16	12.3	7.5	14.3	8.6	2000
017	17	12.8	8.0	14.8	9.1	2000
018	18	13.3	8.5	15.3	9.6	2000
019	19	13.8	9.0	15.8	10.1	2000
020	20	14.3	9.5	16.3	10.6	2000
021	21	14.8	10.0	16.8	11.1	2000
022	22	15.3	10.5	17.3	11.6	2000
023	23	15.8	11.0	17.8	12.1	2000
024	24	16.3	11.5	18.3	12.6	2000
025	25	16.8	12.0	18.8	13.1	2000
026	26	17.3	12.5	19.3	13.6	2000
027	27	17.8	13.0	19.8	14.1	2000
028	28	18.3	13.5	20.3	14.6	2000
029	29	18.8	14.0	20.8	15.1	2000
030	30	19.3	14.5	21.3	15.6	2000
033	33	20.8	16.0	24.8	17.1	2000
036	36	22.3	17.5	24.3	18.6	2000
08 6210 040 XXX 800	40	24.3	19.5	26.3	20.6	2000

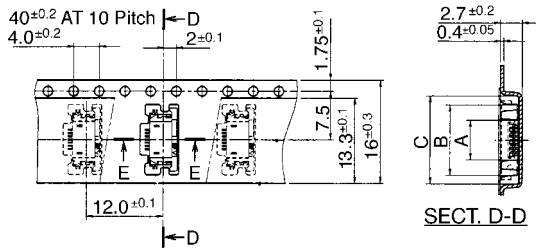
(Dimensions: mm)

0.50mm Pitch

Series 6210

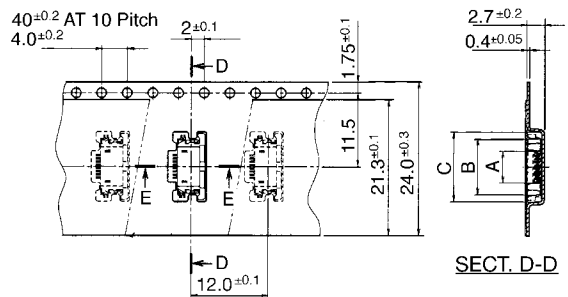


Tape and Reel Specification



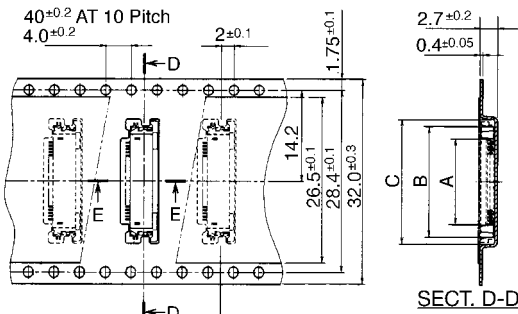
Tape Width: 16mm

PART NUMBER	NO. OF CONTACTS	A	B	C
08 6210 005 XXX 800	5	3.4	7.2	9.4
08 6210 006 XXX 800	6	3.9	7.7	9.9
08 6210 007 XXX 800	7	4.4	8.2	10.4
08 6210 008 XXX 800	8	4.9	8.7	10.9



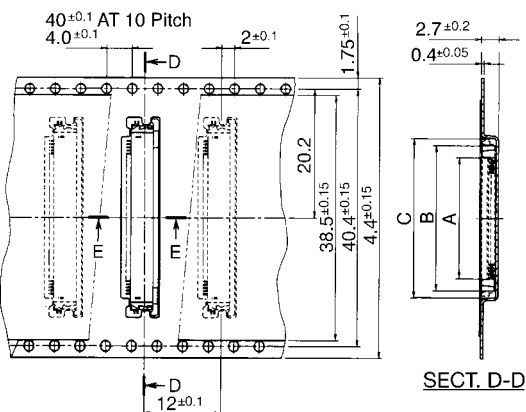
Tape Width: 24mm

PART NUMBER	NO. OF CONTACTS	A	B	C
08 6210 009 XXX 800	9	5.4	9.2	11.4
010	10	5.9	9.7	11.9
011	11	6.4	10.2	12.4
012	12	6.9	10.7	12.9
013	13	7.4	11.2	13.4
014	14	7.9	11.7	13.9
015	15	8.4	12.2	14.4
016	16	8.9	12.7	14.9
017	17	9.4	13.2	15.4
018	18	9.9	13.7	15.9
019	19	10.4	14.2	16.4
020	20	10.9	14.7	16.9
021	21	11.4	15.2	17.4
022	22	11.9	15.7	17.9
023	23	12.4	16.2	18.4
08 6210 024 XXX 800	24	12.9	16.7	18.9



Tape Width: 32mm

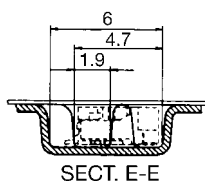
PART NUMBER	NO. OF CONTACTS	A	B	C
08 6210 025 XXX 800	25	13.4	17.2	19.4
026	26	13.9	17.7	19.9
027	27	14.4	18.2	20.4
028	28	14.9	18.7	20.9
029	29	15.4	19.2	21.4
08 6210 030 XXX 800	30	15.9	19.7	21.9



Tape Width: 44mm

PART NUMBER	NO. OF CONTACTS	A	B	C
08 6210 033 XXX 800	33	17.4	21.2	23.4
08 6210 036 XXX 800	36	18.9	22.7	24.9
08 6210 040 XXX 800	40	20.9	24.7	26.9

(Dimensions: mm)

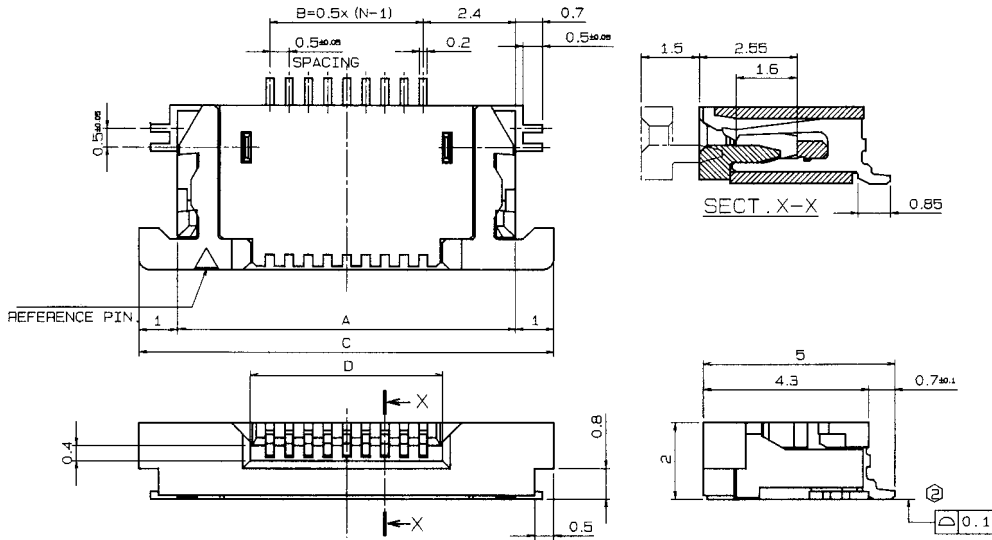


0.50mm Pitch

Series 6212

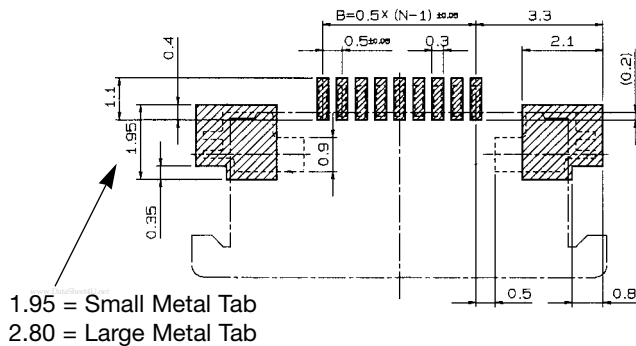


ZIF Right Angle SMT (Top Contact)



Specifications

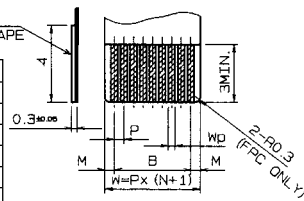
- Number of Contacts – 5-40
- 2000 Connectors per Tape & Reel
- Voltage – 50 V
- Current Rating – 0.4 amp max.
- Dielectric Withstanding Voltage – 200V RMS min.
- Operating Temperature – (-40°C - +85°C)
- Contact Material – phosphor bronze (tin-lead plated)
- Insulator Material – nylon 46, black color
- Slider Material – PPS, natural color (UL 94 V-O)
- FFC/FPC Thickness – 0.3 ± 0.05 mm (0.012 ± 0.002")
- Profile Height – 2mm



MOUNTING LAYOUT

	FFC		FPC	
	1	2	1	2
M	0.5±0.1	0.5±0.06	0.5±0.12	0.5±0.1
P	0.5±0.03	0.5±0.05	0.5±0.02	0.5±0.05
B	B±0.03	B±0.05	B±0.03	B±0.05
W	W±0.07	W±0.07	W±0.07	W±0.07
Wp	0.3 ^{+0.05} _{-0.02}	0.3 ^{+0.05} _{-0.02}	0.35 ^{+0.04} _{-0.03}	0.35±0.05

FFC, FPC SPECIFICATION



ORDERING CODE

08 6212 0XX XXX 800

340 (Small metal tab/strain relief)
- Preferred option

010 (Large metal tab/strain relief)
NUMBER OF CONTACTS (05-30,33,35,36,40)

TAPE AND REEL

PART NUMBER	NO. OF CONTACTS	A	B	C	D	QTY. PER REEL
08 6212 005 XXX 800	5	6.8	2.0	8.8	3.1	2000
006	6	7.3	2.5	9.3	3.6	2000
007	7	7.8	3.0	9.8	4.1	2000
008	8	8.3	3.5	10.3	4.6	2000
009	9	8.8	4.0	10.8	5.1	2000
010	10	9.3	4.5	11.3	5.6	2000
011	11	9.8	5.0	11.8	6.1	2000
012	12	10.3	5.5	12.3	6.6	2000
013	13	10.8	6.0	12.8	7.1	2000
014	14	11.3	6.5	13.3	7.6	2000
015	15	11.8	7.0	13.8	8.1	2000
016	16	12.3	7.5	14.3	8.6	2000
017	17	12.8	8.0	14.8	9.1	2000
018	18	13.3	8.5	15.3	9.6	2000
019	19	13.8	9.0	15.8	10.1	2000
020	20	14.3	9.5	16.3	10.6	2000
021	21	14.8	10.0	16.8	11.1	2000
022	22	15.3	10.5	17.3	11.6	2000
023	23	15.8	11.0	17.8	12.1	2000
024	24	16.3	11.5	18.3	12.6	2000
025	25	16.8	12.0	18.8	13.1	2000
026	26	17.3	12.5	19.3	13.6	2000
027	27	17.8	13.0	19.8	14.1	2000
028	28	18.3	13.5	20.3	14.6	2000
029	29	18.8	14.0	20.8	15.1	2000
030	30	19.3	14.5	21.3	15.6	2000
033	33	19.8	16.0	22.8	17.1	2000
035	35	21.8	17.0	23.8	18.1	2000
036	36	22.3	17.5	24.3	18.6	2000
08 6212 040 XXX 800	40	24.3	19.5	26.3	20.6	2000

(Dimensions: mm)

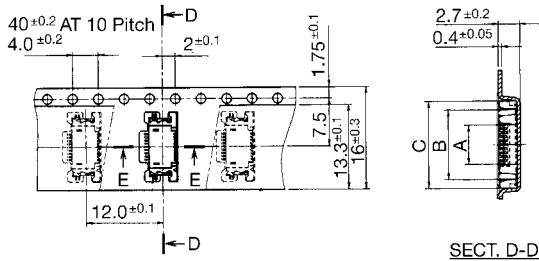
See page 13 for Tape and Reel detail.

0.50mm Pitch

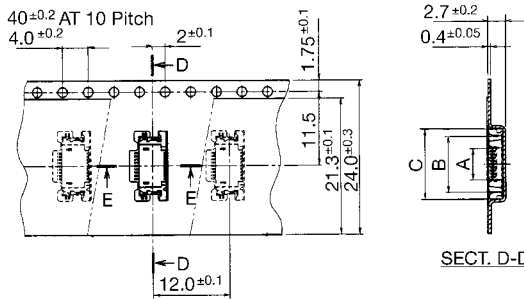
Series 6212



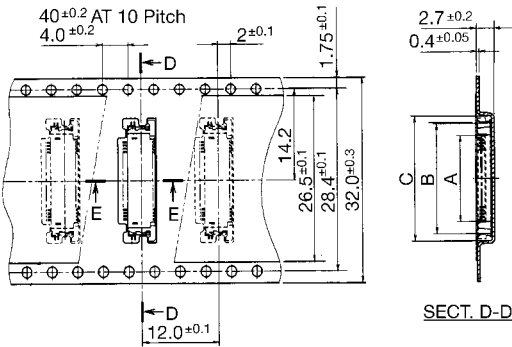
Tape and Reel Specification



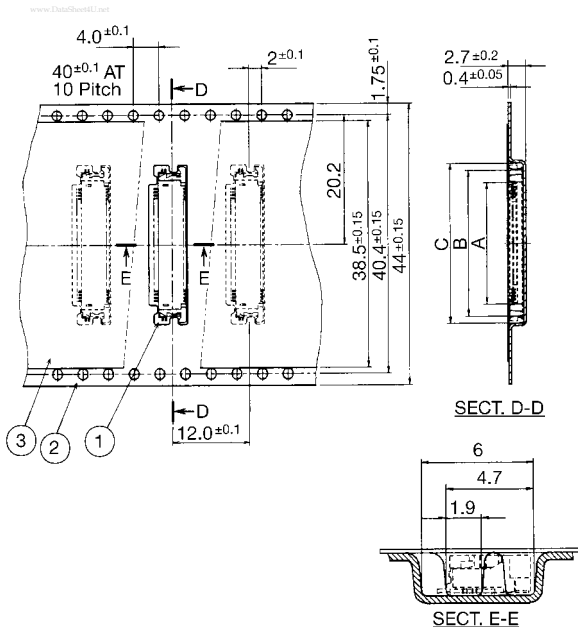
SECT. D-D



SECT. D-D



SECT. D-D



SECT. D-D

SECT. E-E

Tape Width: 16mm

PART NUMBER	NO. OF CONTACTS	A	B	C
08 6212 005 XXX 800	5	3.4	7.2	9.4
08 6212 006 XXX 800	6	3.9	7.7	9.9
08 6212 007 XXX 800	7	4.4	8.2	10.4
08 6212 008 XXX 800	8	4.9	8.7	10.9

Tape Width: 24mm

PART NUMBER	NO. OF CONTACTS	A	B	C
08 6212 009 XXX 800	9	5.4	9.2	11.4
010	10	5.9	9.7	11.9
011	11	6.4	10.2	12.4
012	12	6.9	10.7	12.9
013	13	7.4	11.2	13.4
014	14	7.9	11.7	13.9
015	15	8.4	12.2	14.4
016	16	8.9	12.7	14.9
017	17	9.4	13.2	15.4
018	18	9.9	13.7	15.9
019	19	10.4	14.2	16.4
020	20	10.9	14.7	16.9
021	21	11.4	15.2	17.4
022	22	11.9	15.7	17.9
023	23	12.4	16.2	18.4
08 6212 024 XXX 800	24	12.9	16.7	18.9

Tape Width: 32mm

PART NUMBER	NO. OF CONTACTS	A	B	C
08 6212 025 XXX 800	25	13.4	17.2	19.4
026	26	13.9	17.7	19.9
027	27	14.4	18.2	20.4
028	28	14.9	18.7	20.9
029	29	15.4	19.2	21.4
08 6212 030 XXX 800	30	15.9	19.7	21.9

Tape Width: 44mm

PART NUMBER	NO. OF CONTACTS	A	B	C
08 6212 033 XXX 800	33	17.4	21.2	23.4
08 6212 035 XXX 800	35	18.4	22.2	24.4
08 6212 036 XXX 800	36	18.9	22.7	24.9
08 6212 040 XXX 800	40	20.9	24.7	26.9

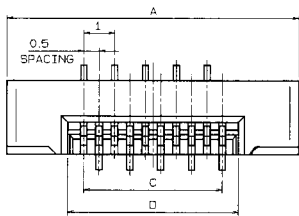
(Dimensions: mm)

0.50mm Pitch

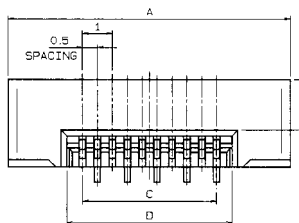
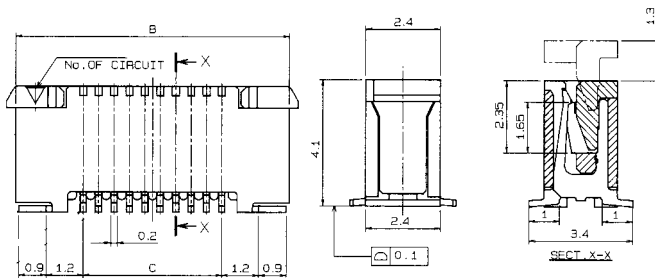
Series 6214



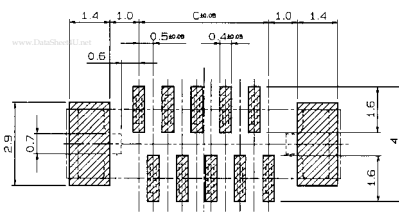
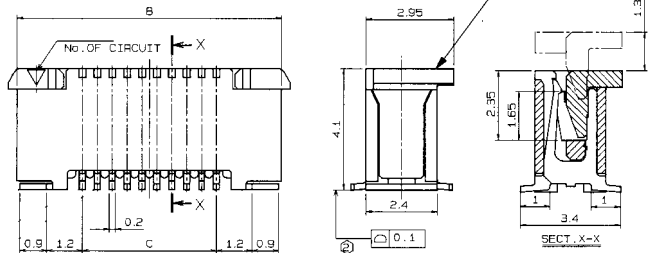
ZIF Straight SMT



STANDARD SLIDER



EXTENDED SLIDER
(Enhances Vacuum Pick-up)



MOUNTING LAYOUT

Specifications

- Number of Contacts – 6-30
- 1000 Connectors per Tape & Reel
- Voltage – 50 V
- Current Rating – 0.4 amp max.
- Dielectric Withstanding Voltage – 200V RMS min.
- Operating Temperature – (-40°C - +85°C)
- Contact Material – phosphor bronze (tin-lead plated)
- Insulator Material – nylon 46, natural color (UL 94 V-O)
- Slider Material – PPS, natural color (UL 94 V-O)
- FFC/FPC Thickness – 0.3 ±0.05 mm (0.012 ±0.002")
- Profile Height – 4.1mm

PART NUMBER	NO. OF CONTACTS	A	B	C	D	QTY. PER REEL
04 6214 006 XXX 800	6	7.5	6.9	2.5	3.6	1000
007	7	8.0	7.4	3.0	4.1	1000
008	8	8.5	7.9	3.5	4.6	1000
009	9	9.0	8.4	4.0	5.1	1000
010	10	9.5	8.9	4.5	5.6	1000
011	11	10.0	9.4	5.0	6.1	1000
012	12	10.5	9.9	5.5	6.6	1000
013	13	11.0	10.4	6.0	7.1	1000
014	14	11.5	10.9	6.5	7.6	1000
015	15	12.0	11.4	7.0	8.1	1000
016	16	12.5	11.9	7.5	8.6	1000
017	17	13.0	12.4	8.0	9.1	1000
018	18	13.5	12.9	8.5	9.6	1000
019	19	14.0	13.4	9.0	10.1	1000
020	20	14.5	13.9	9.5	10.6	1000
021	21	15.0	14.4	10.0	11.1	1000
022	22	15.5	14.9	10.5	11.6	1000
023	23	16.0	15.4	11.0	12.1	1000
024	24	16.5	15.9	11.5	12.6	1000
025	25	17.0	16.4	12.0	13.1	1000
026	26	17.5	16.9	12.5	13.6	1000
027	27	18.0	17.4	13.0	14.1	1000
028	28	18.5	17.9	13.5	14.6	1000
029	29	19.0	18.4	14.0	15.1	1000
04 6214 030 XXX 800	30	19.5	18.9	14.5	15.6	1000

(Dimensions: mm)

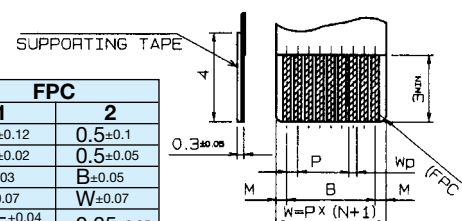
ORDERING CODE

04 6214 0XX XXX 800

NUMBER OF CONTACTS (06-30)
 VARIATION CODE
 000: WITH STANDARD SLIDER
 010: WITH EXTENDED SLIDER
 TAPE AND REEL

	FFC		FPC	
	1	2	1	2
M	0.5±0.1	0.5±0.06	0.5±0.12	0.5±0.1
P	0.5±0.03	0.5±0.05	0.5±0.02	0.5±0.05
B	B±0.03	B±0.05	B±0.03	B±0.05
W	W±0.07	W±0.07	W±0.07	W±0.07
Wp	0.3 ^{+0.05} _{-0.02}	0.3 ^{+0.05} _{-0.02}	0.35 ^{+0.04} _{-0.03}	0.35 ^{+0.05}

FFC, FPC SPECIFICATION



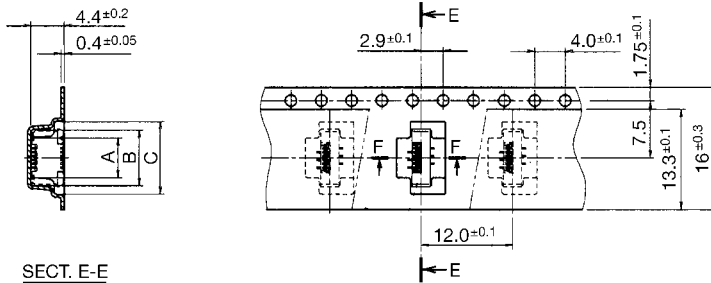
See page 15 for Tape and Reel detail.

0.50mm Pitch

Series 6214



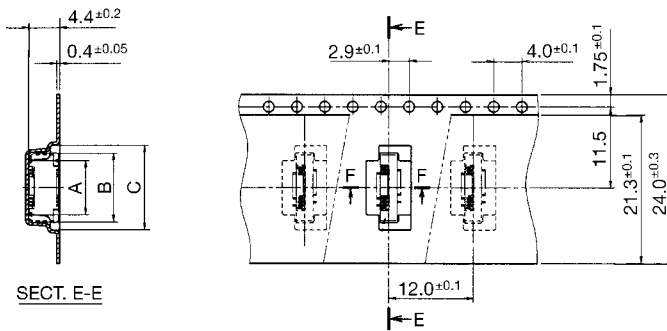
Tape and Reel Specification



SECT. E-E

Tape Width: 16mm

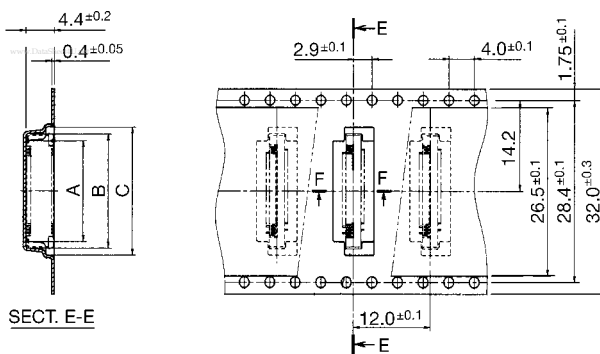
PART NUMBER	NO. OF CONTACTS	A	B	C
04 6214 006 XXX 800	6	5.2	7.3	9.5
04 6214 007 XXX 800	7	5.7	7.8	10.0
04 6214 008 XXX 800	8	6.2	8.3	10.5



SECT. E-E

Tape Width: 24mm

PART NUMBER	NO. OF CONTACTS	A	B	C
04 6214 009 XXX 800	9	6.7	8.8	11.0
010	10	7.2	9.3	11.5
011	11	7.7	9.8	12.0
012	12	8.2	10.3	12.5
013	13	8.7	10.8	13.0
014	14	9.2	11.3	13.5
015	15	9.7	11.8	14.0
016	16	10.2	12.3	14.5
017	17	10.7	12.8	15.0
018	18	11.2	13.3	15.5
019	19	11.7	13.8	16.0
020	20	12.2	14.3	16.5
021	21	12.7	14.8	17.0
022	22	13.2	15.3	17.5
023	23	13.7	15.8	18.0
04 6214 024 XXX 800	24	14.2	16.3	18.5

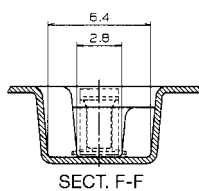


SECT. E-E

Tape Width: 32mm

PART NUMBER	NO. OF CONTACTS	A	B	C
04 6214 025 XXX 800	25	14.7	16.8	19.0
026	26	15.2	17.3	19.5
027	27	15.7	17.8	20.0
028	28	16.2	18.3	20.5
029	29	16.7	18.8	21.0
04 6214 030 XXX 800	30	17.2	19.3	21.5

(Dimensions: mm)



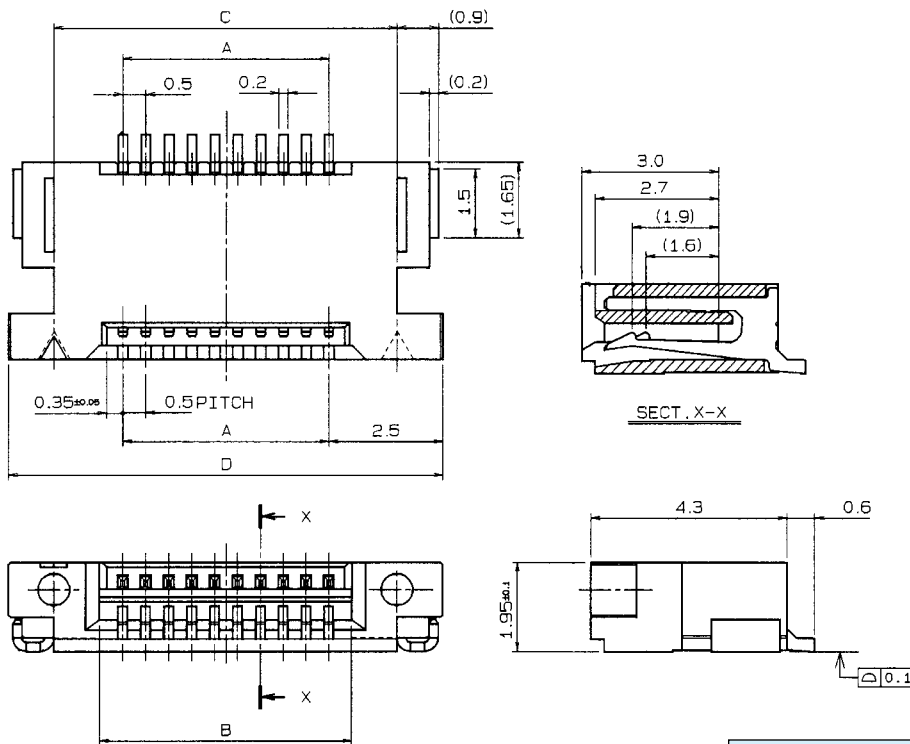
SECT. F-F

0.50mm Pitch

Series 6222



LIF Right Angle SMT (Bottom Contact)

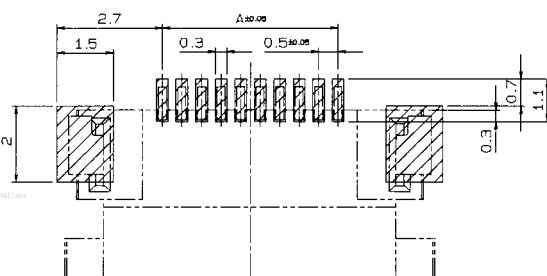


Specifications

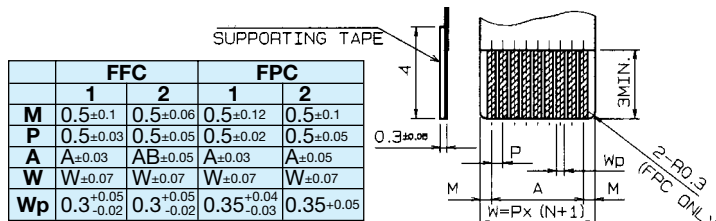
- Number of Contacts – 5-30
- 2000 Connectors per Tape & Reel
- Voltage – 50 V
- Current Rating – 0.4 amp max.
- Dielectric Withstanding Voltage – 200V RMS min.
- Operating Temperature – (-40°C - +85°C)
- Contact Material – phosphor bronze (tin-lead plated)
- Insulator Material – PPS, natural color
- FFC/FPC Thickness – 0.3 ±0.05 mm (0.012 ±0.002")
- Profile Height – 1.95mm

PART NUMBER	NO. OF CONTACTS	A	B	C	D	QTY. PER REEL
08 6222 005 001 800	5	7.5	6.9	2.5	3.6	2000
006	6	2.5	3.5	5.5	7.5	2000
007	7	3.0	4.0	6.0	8.0	2000
008	8	3.5	4.5	6.5	8.5	2000
009	9	4.0	5.0	7.0	9.0	2000
010	10	4.5	5.5	7.5	9.5	2000
011	11	5.0	6.0	8.0	10.0	2000
012	12	5.5	6.5	8.5	10.5	2000
013	13	6.0	7.0	9.0	11.0	2000
014	14	6.5	7.5	9.5	11.5	2000
015	15	7.0	8.0	10.0	12.0	2000
016	16	7.5	8.5	10.5	12.5	2000
017	17	8.0	9.0	11.0	13.0	2000
018	18	8.5	9.5	11.5	13.5	2000
019	19	9.0	10.0	12.0	14.0	2000
020	20	9.5	10.5	12.5	14.5	2000
021	21	10.0	11.0	13.0	15.0	2000
022	22	10.5	11.5	13.5	15.5	2000
023	23	11.0	12.0	14.0	16.0	2000
024	24	11.5	12.5	14.5	16.5	2000
025	25	12.0	13.0	15.0	17.0	2000
026	26	12.5	13.5	15.5	17.5	2000
027	27	13.0	14.0	16.0	18.0	2000
028	28	13.5	14.5	16.5	18.5	2000
029	29	14.0	15.0	17.0	19.0	2000
08 6222 030 001 800	30	14.5	15.5	17.5	19.5	2000

(Dimensions: mm)



MOUNTING LAYOUT



	FFC		FPC	
	1	2	1	2
M	0.5±0.1	0.5±0.06	0.5±0.12	0.5±0.1
P	0.5±0.03	0.5±0.05	0.5±0.02	0.5±0.05
A	A±0.03	AB±0.05	A±0.03	A±0.05
W	W±0.07	W±0.07	W±0.07	W±0.07
Wp	0.3 ^{+0.05} _{-0.02}	0.3 ^{+0.05} _{-0.02}	0.35 ^{+0.04} _{-0.03}	0.35 ^{+0.05}

FFC, FPC SPECIFICATION

ORDERING CODE

08 6222 0XX 001 800

NUMBER OF CONTACTS (05-30)

TAPE AND REEL

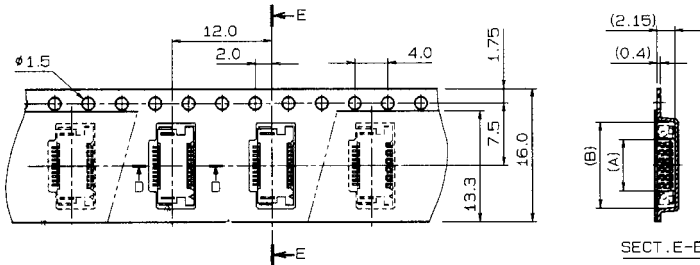
See page 17 for Tape and Reel detail.

0.50mm Pitch

Series 6222

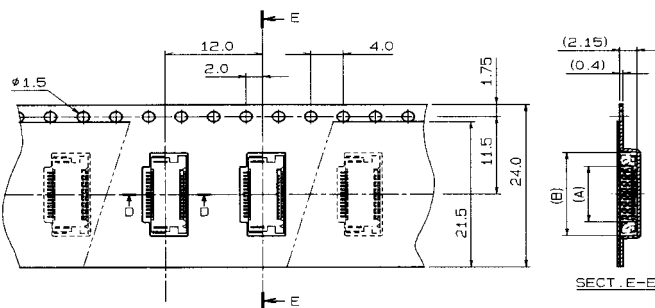


Tape and Reel Specification



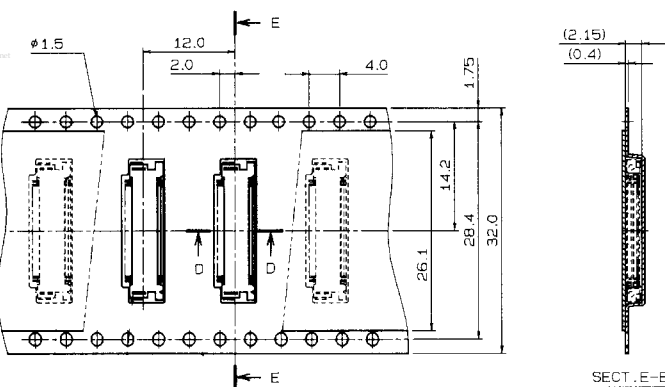
Tape Width: 16mm

PART NUMBER	NO. OF CONTACTS	A	B
08 6222 005 001 800	5	3.2	7.3
↑ 006 ↑	6	3.7	7.8
↑ 007 ↑	7	4.2	8.3
↑ 008 ↑	8	4.7	8.8
↑ 009 ↑	9	5.2	9.3
↑ 010 ↑	10	5.7	9.8
08 6222 011 001 800	11	6.2	10.3



Tape Width: 24mm

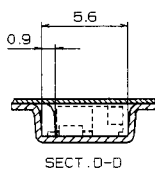
PART NUMBER	NO. OF CONTACTS	A	B
08 6222 012 001 800	12	6.7	10.8
↑ 013 ↑	13	7.2	11.3
↑ 014 ↑	14	7.7	11.8
↑ 015 ↑	15	8.2	12.3
↑ 016 ↑	16	8.7	12.8
↑ 017 ↑	17	9.2	13.3
↑ 018 ↑	18	9.7	13.8
↑ 019 ↑	19	10.2	14.3
↑ 020 ↑	20	10.7	14.8
↑ 021 ↑	21	11.2	15.3
↑ 022 ↑	22	11.7	15.8
↑ 023 ↑	23	12.2	16.3
↑ 024 ↑	24	12.7	16.8
↑ 025 ↑	25	13.2	17.3
↑ 026 ↑	26	13.7	17.8
08 6222 027 001 800	27	14.2	18.3



Tape Width: 32mm

PART NUMBER	NO. OF CONTACTS	A	B
08 6222 028 001 800	28	14.7	18.8
08 6222 029 001 800	29	15.2	19.3
08 6222 030 001 800	30	15.7	19.8

(Dimensions: mm)

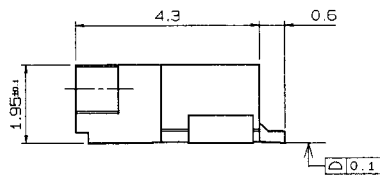
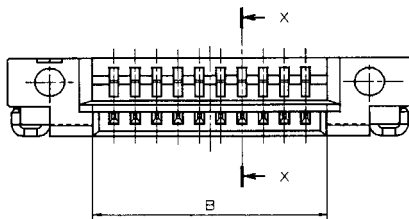
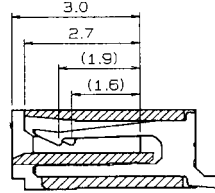
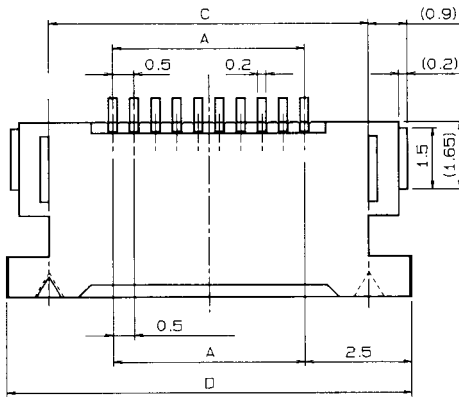


0.50mm Pitch

Series 6223

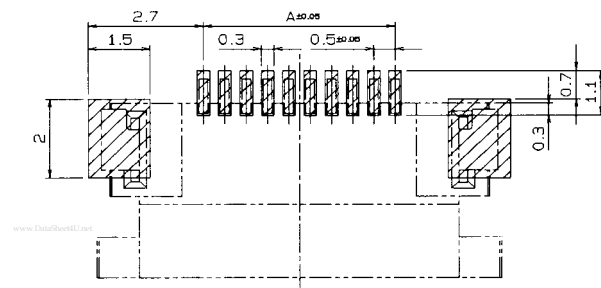


LIF Right Angle SMT (Top Contact)



Specifications

- Number of Contacts – 5-30
- 2000 Connectors per Tape & Reel
- Voltage – 50 V
- Current Rating – 0.4 amp max.
- Dielectric Withstanding Voltage – 200V RMS min.
- Operating Temperature – (-40°C - +85°C)
- Contact Material – phosphor bronze (tin-lead plated)
- Insulator Material – PPS, black color
- FFC/FPC Thickness – 0.3 ±0.05 mm (0.012 ±0.002")
- Profile Height – 1.95mm

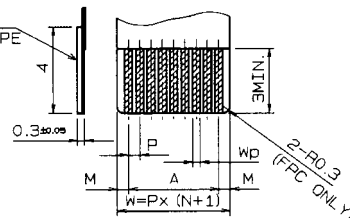


MOUNTING LAYOUT

PART NUMBER	NO. OF CONTACTS	A	B	C	D	QTY. PER REEL
08 6223 005 001 800	5	2.0	3.0	5.0	7.0	2000
006	6	2.5	3.5	5.5	7.5	2000
007	7	3.0	4.0	6.0	8.0	2000
008	8	3.5	4.5	6.5	8.5	2000
009	9	4.0	5.0	7.0	9.0	2000
010	10	4.5	5.5	7.5	9.5	2000
011	11	5.0	6.0	8.0	10.0	2000
012	12	5.5	6.5	8.5	10.5	2000
013	13	6.0	7.0	9.0	11.0	2000
014	14	6.5	7.5	9.5	11.5	2000
015	15	7.0	8.0	10.0	12.0	2000
016	16	7.5	8.5	10.5	12.5	2000
017	17	8.0	9.0	11.0	13.0	2000
018	18	8.5	9.5	11.5	13.5	2000
019	19	9.0	10.0	12.0	14.0	2000
020	20	9.5	10.5	12.5	14.5	2000
021	21	10.0	11.0	13.0	15.0	2000
022	22	10.5	11.5	13.5	15.5	2000
023	23	11.0	12.0	14.0	16.0	2000
024	24	11.5	12.5	14.5	16.5	2000
025	25	12.0	13.0	15.0	17.0	2000
026	26	12.5	13.5	15.5	17.5	2000
027	27	13.0	14.0	16.0	18.0	2000
028	28	13.5	14.5	16.5	18.5	2000
029	29	14.0	15.0	17.0	19.0	2000
08 6223 030 001 800	30	14.5	15.5	17.5	19.5	2000

(Dimensions: mm)

	FFC		FPC	
	1	2	1	2
M	0.5±0.1	0.5±0.06	0.5±0.12	0.5±0.1
P	0.5±0.03	0.5±0.05	0.5±0.02	0.5±0.05
A	A±0.03	A±0.05	A±0.03	A±0.05
W	W±0.07	W±0.07	W±0.07	W±0.07
Wp	0.3 ^{+0.05} _{-0.02}	0.3 ^{+0.05} _{-0.02}	0.35 ^{+0.04} _{-0.03}	0.35 ^{+0.05}



FFC, FPC SPECIFICATION

ORDERING CODE

08 6223 0XX 001 800

NUMBER OF CONTACTS (05-30)

TAPE AND REEL

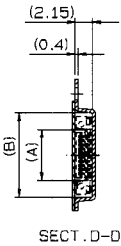
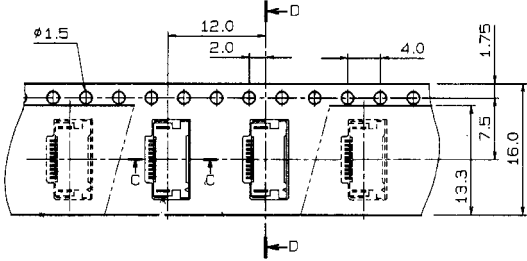
See page 19 for Tape and Reel detail.

0.50mm Pitch

Series 6223

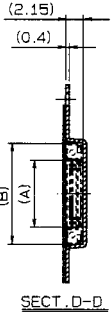
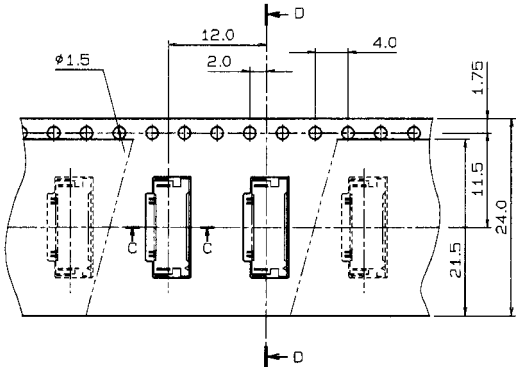


Tape and Reel Specification



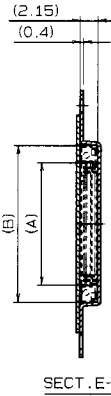
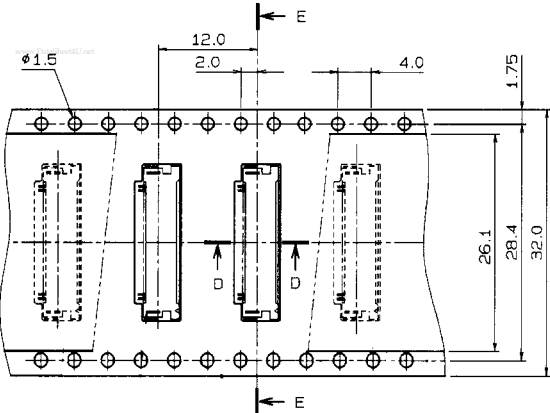
Tape Width: 16mm

PART NUMBER	NO. OF CONTACTS	A	B
08 6223 005 001 800	5	3.2	7.3
006	6	3.7	7.8
007	7	4.2	8.3
008	8	4.7	8.8
009	9	5.2	9.3
010	10	5.7	9.8
08 6223 011 001 800	11	6.2	10.3



Tape Width: 24mm

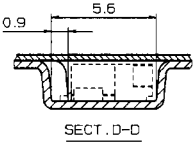
PART NUMBER	NO. OF CONTACTS	A	B
08 6223 012 001 800	12	6.7	10.8
013	13	7.2	11.3
014	14	7.7	11.8
015	15	8.2	12.3
016	16	8.7	12.8
017	17	9.2	13.3
018	18	9.7	13.8
019	19	10.2	14.3
020	20	10.7	14.8
021	21	11.2	15.3
022	22	11.7	15.8
023	23	12.2	16.3
024	24	12.7	16.8
025	25	13.2	17.3
026	26	13.7	17.8
08 6223 027 001 800	27	14.2	18.3



Tape Width: 32mm

PART NUMBER	NO. OF CONTACTS	A	B
08 6223 028 001 800	28	14.7	18.8
08 6223 029 001 800	29	15.2	19.3
08 6223 030 001 800	30	15.7	19.8

(Dimensions: mm)

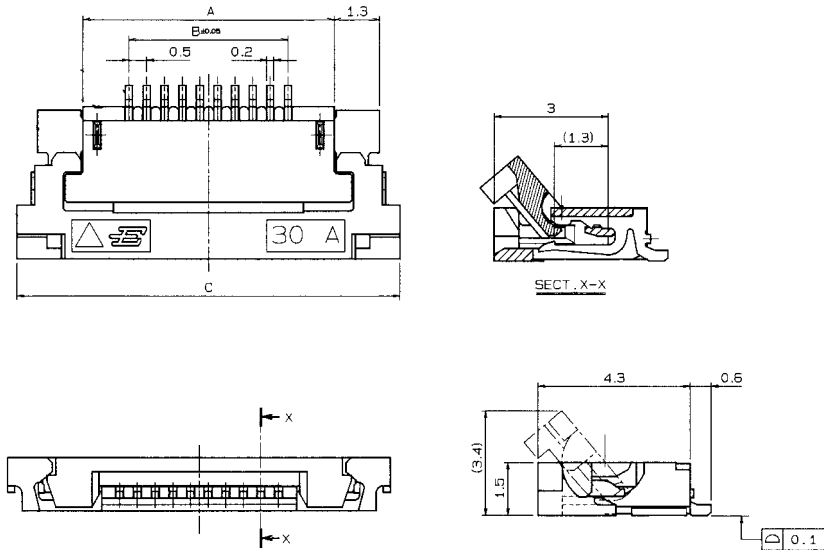


0.50mm Pitch

Series 6239

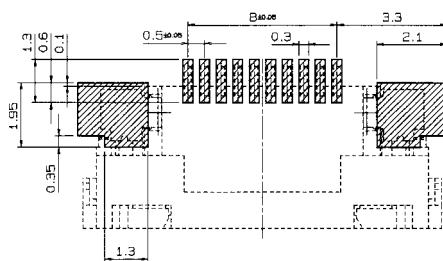


ZIF Right Angle SMT One-Touch Lock/Flip-Top (Bottom Contact)



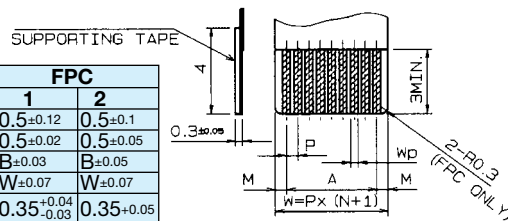
Specifications

- Number of Contacts – 5-30
- 2000 Connectors per Tape & Reel
- Voltage – 50 V
- Current Rating – 0.4 amp max.
- Dielectric Withstanding Voltage – 200V RMS min.
- Operating Temperature – (-20°C - +85°C)
- Contact Material – phosphor bronze (tin-lead plated)
- Insulator Material – nylon 46, natural color
- Slider Material – PPS, natural color
- FFC/FPC Thickness – 0.3 ± 0.05 mm (0.012 ± 0.002")
- Profile Height – 1.50mm



MOUNTING LAYOUT

	FFC		FPC	
	1	2	1	2
M	0.5±0.1	0.5±0.06	0.5±0.12	0.5±0.1
P	0.5±0.03	0.5±0.05	0.5±0.02	0.5±0.05
B	B±0.03	B±0.05	B±0.03	B±0.05
W	W±0.07	W±0.07	W±0.07	W±0.07
Wp	0.3 ^{+0.05} _{-0.02}	0.3 ^{+0.05} _{-0.02}	0.35 ^{+0.04} _{-0.03}	0.35±0.05



FFC, FPC SPECIFICATION

PART NUMBER	NO. OF CONTACTS	A	B	C	QTY. PER REEL
04 6239 005 001 800	5	4.6	2.0	8.3	2000
006	6	5.1	2.5	8.8	2000
007	7	5.6	3.0	9.3	2000
008	8	6.1	3.5	9.8	2000
009	9	6.6	4.0	10.3	2000
010	10	7.1	4.5	10.8	2000
011	11	7.6	5.0	11.3	2000
012	12	8.1	5.5	11.8	2000
013	13	8.6	6.0	12.3	2000
014	14	9.1	6.5	12.8	2000
015	15	9.6	7.0	13.3	2000
016	16	10.1	7.5	13.8	2000
017	17	10.6	8.0	14.3	2000
018	18	11.1	8.5	14.8	2000
019	19	11.6	9.0	15.3	2000
020	20	12.1	9.5	15.8	2000
021	21	12.6	10.0	16.3	2000
022	22	13.1	10.5	16.8	2000
023	23	13.6	11.0	17.3	2000
024	24	14.1	11.5	17.8	2000
025	25	14.6	12.0	18.3	2000
026	26	15.1	12.5	18.8	2000
027	27	15.6	13.0	19.3	2000
028	28	16.1	13.5	19.8	2000
029	29	16.6	14.0	20.3	2000
04 6239 030 001 800	30	17.1	14.5	20.8	2000

(Dimensions: mm)

ORDERING CODE

04 6239 0XX 001 800

NUMBER OF CONTACTS (05-30)

TAPE AND REEL

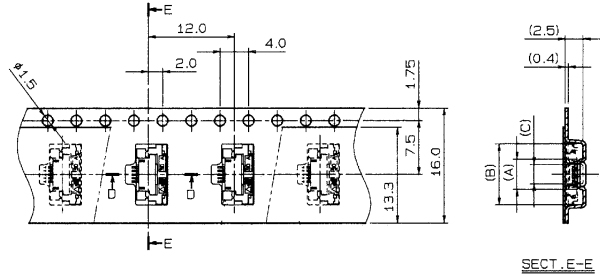
See page 21 for Tape and Reel detail.

0.50mm Pitch

Series 6239

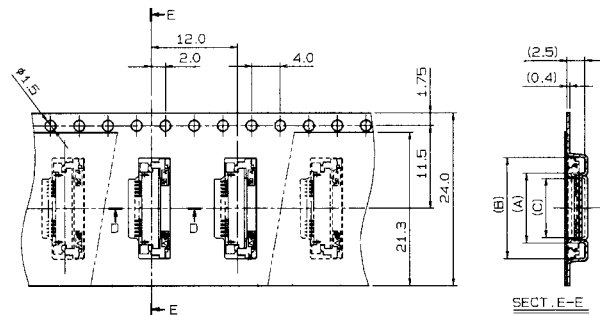


Tape and Reel Specification



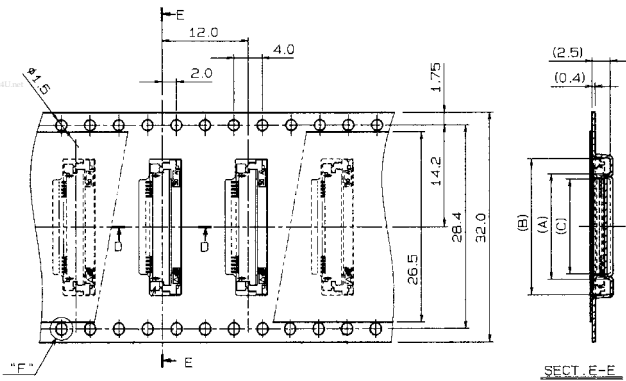
Tape Width: 16mm

PART NUMBER	NO. OF CONTACTS	A	B	C
04 6239 005 001 800	5	4.2	8.5	2.7



Tape Width: 24mm

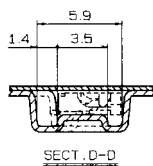
PART NUMBER	NO. OF CONTACTS	A	B	C
04 6239 006 001 800	6	4.7	9.0	3.2
007	7	5.2	9.5	3.7
008	8	5.7	10.0	4.2
009	9	6.2	10.5	4.7
010	10	6.7	11.0	5.2
011	11	7.2	11.5	5.7
012	12	7.7	12.0	6.2
013	13	8.2	12.5	6.7
014	14	8.7	13.0	7.2
015	15	9.2	13.5	7.7
016	16	9.7	14.0	8.2
017	17	10.2	14.5	8.7
018	18	10.7	15.0	9.2
019	19	11.2	15.5	9.7
020	20	11.7	16.0	10.2
04 6239 021 001 800	21	12.2	16.5	10.7



Tape Width: 32mm

PART NUMBER	NO. OF CONTACTS	A	B	C
04 6239 022 001 800	22	12.7	17.0	11.2
023	23	13.2	17.5	11.7
024	24	13.7	18.0	12.2
025	25	14.2	18.5	12.7
026	26	14.7	19.0	13.2
027	27	15.2	19.5	13.7
028	28	15.7	20.0	14.2
029	29	16.2	20.5	14.7
04 6239 030 001 800	30	16.7	21.0	15.2

(Dimensions: mm)

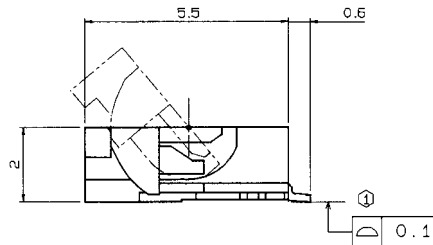
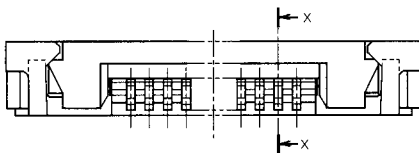
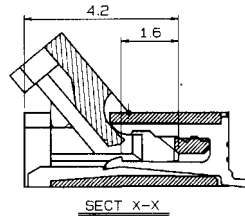
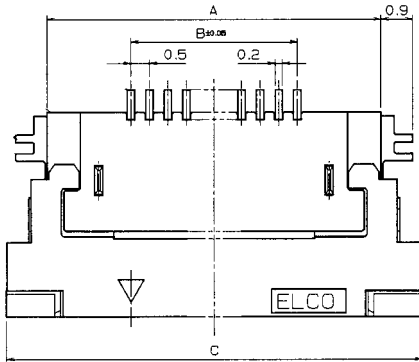


0.50mm Pitch

Series 6240

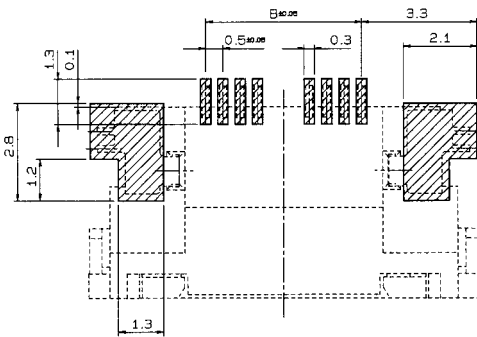


ZIF Right Angle SMT One-Touch Lock/Flip-Top (Bottom Contact)

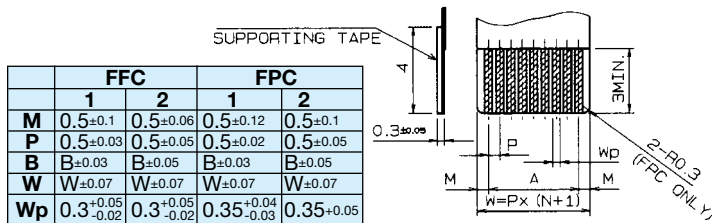


Specifications

- Number of Contacts – 30-50
- 2000 Connectors per Tape & Reel
- Voltage – 50 V
- Current Rating – 0.4 amp max.
- Dielectric Withstanding Voltage – 200V RMS min.
- Operating Temperature – (-40°C - +85°C)
- Contact Material – phosphor bronze (tin-lead plated)
- Insulator Material – PPS, natural color
- Slider Material – PPS, natural color
- FFC/FPC Thickness – 0.3 ±0.05 mm (0.012 ±0.002")
- Profile Height – 2.00mm



MOUNTING LAYOUT



	FFC		FPC	
	1	2	1	2
M	0.5±0.1	0.5±0.06	0.5±0.12	0.5±0.1
P	0.5±0.03	0.5±0.05	0.5±0.02	0.5±0.05
B	B±0.03	B±0.05	B±0.03	B±0.05
W	W±0.07	W±0.07	W±0.07	W±0.07
Wp	0.3 ^{+0.05} _{-0.02}	0.3 ^{+0.05} _{-0.02}	0.35 ^{+0.04} _{-0.03}	0.35 ^{+0.05}

FFC, FPC SPECIFICATION

PART NUMBER	NO. OF CONTACTS	A	B	C	QTY. PER REEL
04 6240 030 003 800	30	19.0	14.5	21.2	2000
031	31	19.5	15.0	21.7	2000
032	32	20.0	15.5	22.2	2000
033	33	20.5	16.0	22.7	2000
034	34	21.0	16.5	23.2	2000
035	35	21.5	17.0	23.7	2000
036	36	22.0	17.5	24.2	2000
037	37	22.5	18.0	24.7	2000
038	38	23.0	18.5	25.2	2000
039	39	23.5	19.0	25.7	2000
040	40	24.0	19.5	26.2	2000
041	41	24.5	20.0	26.7	2000
042	42	25.0	20.5	27.2	2000
043	43	25.5	21.0	27.7	2000
044	44	26.0	21.5	28.2	2000
045	45	26.5	22.0	28.7	2000
046	46	27.0	22.5	29.2	2000
047	47	27.5	23.0	29.7	2000
048	48	28.0	23.5	30.2	2000
049	49	28.5	24.0	30.7	2000
04 6240 050 003 800	50	29.0	24.5	31.2	2000

(Dimensions: mm)

ORDERING CODE

04 6240 OXX 003 800

NUMBER OF CONTACTS (30-50)

TAPE AND REEL

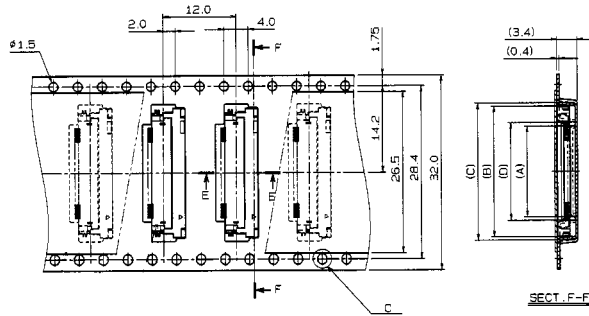
See page 23 for Tape and Reel detail.

0.50mm Pitch

Series 6240

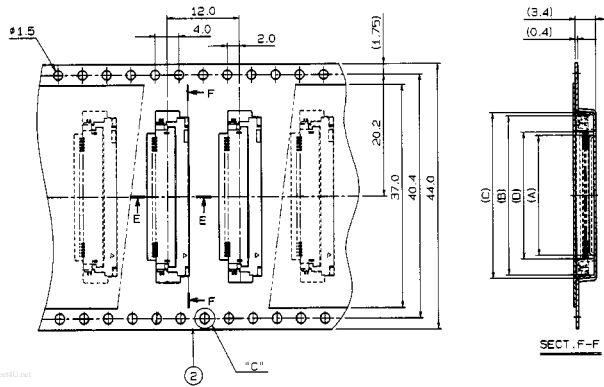


Tape and Reel Specification



Tape Width: 32mm

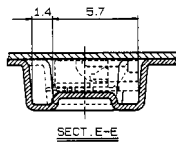
PART NUMBER	NO. OF CONTACTS	A	B	C	D
04 6240 030 003 800	30	14.9	21.4	22.5	15.0



Tape Width: 44mm

PART NUMBER	NO. OF CONTACTS	A	B	C	D
04 6240 031 003 800	31	15.4	21.9	23.0	16.5
032	32	15.9	22.4	23.5	17.0
033	33	16.4	22.9	24.0	17.5
034	34	16.9	23.4	24.5	18.0
035	35	17.4	23.9	25.0	18.5
036	36	17.9	24.4	25.5	19.0
037	37	18.4	24.9	26.0	19.5
038	38	18.9	25.4	26.5	20.0
039	39	19.4	25.9	27.0	20.5
040	40	19.9	26.4	27.5	21.0
041	41	20.4	26.9	28.0	21.5
042	42	20.9	27.4	28.5	22.0
043	43	21.4	27.9	29.0	22.5
044	44	21.9	28.4	29.5	23.0
045	45	22.4	28.9	30.0	23.5
046	46	22.9	29.4	30.5	24.0
047	47	23.4	29.9	31.0	24.5
048	48	23.9	30.4	31.5	25.0
049	49	24.4	30.9	32.0	25.5
04 6240 050 003 800	50	24.9	31.4	32.5	26.0

(Dimensions: mm)

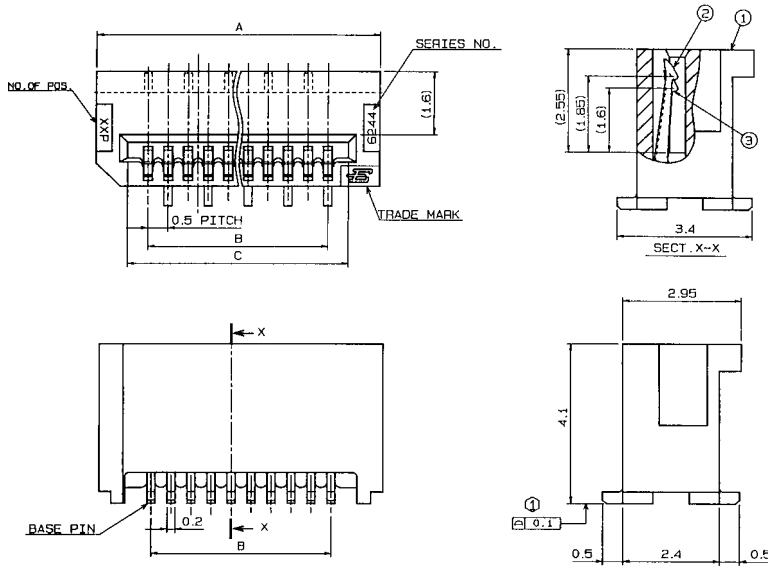


0.50mm Pitch

Series 6244

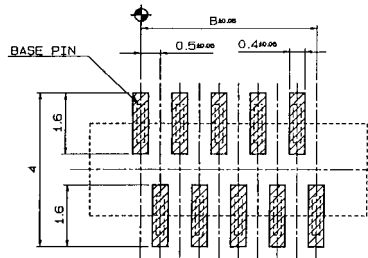
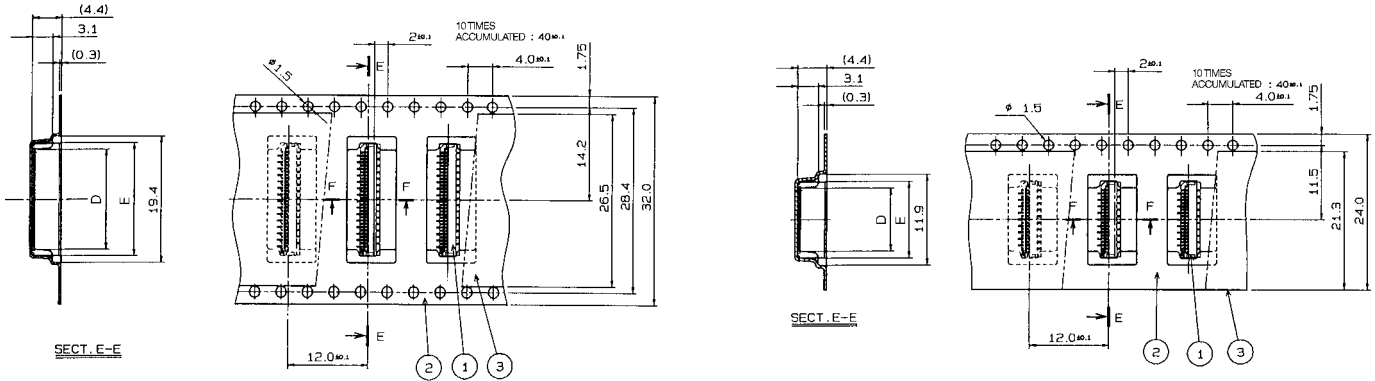


LIF Straight SMT



Specifications

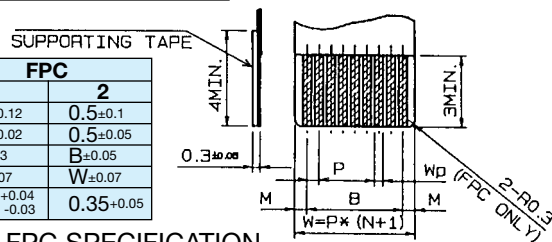
- Number of Contacts – 12, 14, 20, 22
- 1000 Connectors per Tape & Reel
- Voltage – 50 V
- Current Rating – 0.4 amp max.
- Dielectric Withstanding Voltage – 200V RMS min.
- Operating Temperature – (-40°C - +85°C)
- Contact Material – phosphor bronze (tin-lead plated)
- Insulator Material – nylon 46, natural color (UL 94 V-0)
- FFC/FPC Thickness – 0.3 ±0.05 mm (0.012 ±0.002")
- Profile Height – 4.1mm



MOUNTING LAYOUT

	FFC		FPC	
	1	2	1	2
M	0.5±0.1	0.5±0.08	0.5±0.12	0.5±0.1
P	0.5±0.03	0.5±0.05	0.5±0.02	0.5±0.05
B	B±0.03	B±0.05	B±0.03	B±0.05
W	W±0.07	W±0.07	W±0.07	W±0.07
Wp	0.3 ^{+0.05} _{-0.02}	0.3 ^{+0.05} _{-0.02}	0.35 ^{+0.04} _{-0.03}	0.35 ^{+0.05}

FFC, FPC SPECIFICATION



ORDERING CODE

04 6244 OXX 000 800

NUMBER OF CONTACTS (12, 14, 20, 22)

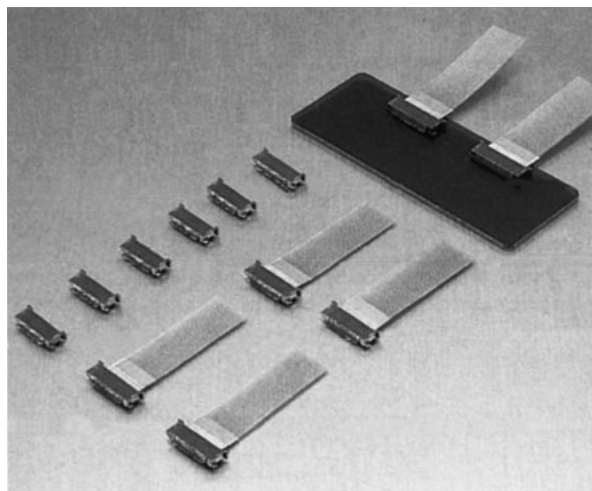
TAPE AND REEL

PART NUMBER	NO. OF CONTACTS	A	B	C	D	E	QTY. PER REEL
04 6244 012 000 800	12	8.1	5.5	6.6	6.2	8.3	1000
04 6244 014 000 800	14	9.1	6.5	7.6	7.2	9.3	1000
04 6244 020 000 800	20	12.1	9.5	10.6	10.2	12.3	1000
04 6244 022 000 800	22	13.1	10.5	11.6	11.2	13.3	1000

(Dimensions: mm)

0.80mm Pitch

Product Selector Guide



SMT			
Straight		Right Angle	
ZIF	LIF	ZIF	LIF
	6218		6206

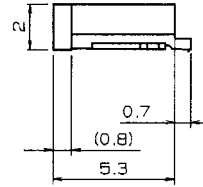
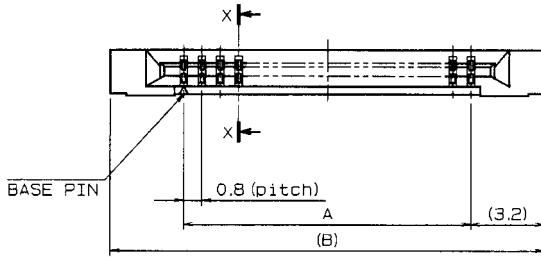
SERIES	6206	6218
Style	LIF R/A SMT	LIF Straight SMT
Contact	Dual	Dual
Height	2.00mm	3.50mm
Number of Contacts	4-20	10
Current Rating	0.5A Max.	0.5A Max.
Voltage Rating	50V Max.	50V Max.
Dielectric Withstanding Voltage	200Vrms	500Vrms
Contact Material	Phosphor Bronze, Tin-Plated	
Insulator Material	Glass-filled PPS	Glass-filled Nylon
FFC/FPC Thickness	0.3±0.05mm	0.3±0.05mm
Page	26 - 27	28

0.80mm Pitch

Series 6206

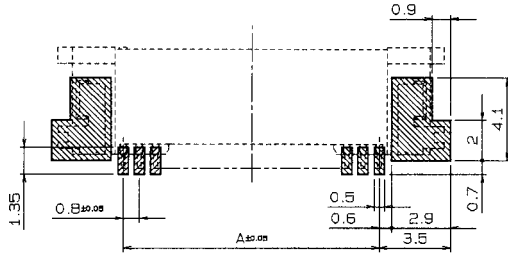
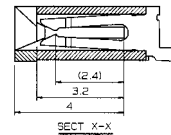
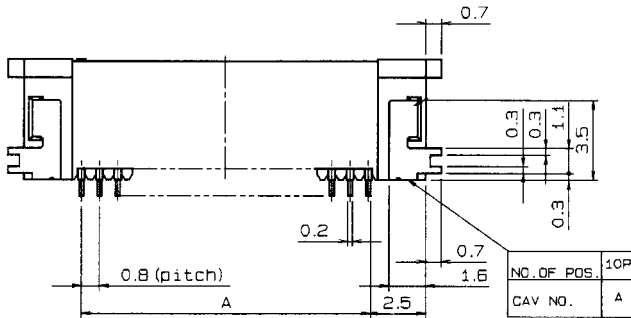


LIF Right Angle SMT (Dual Sided Contact)

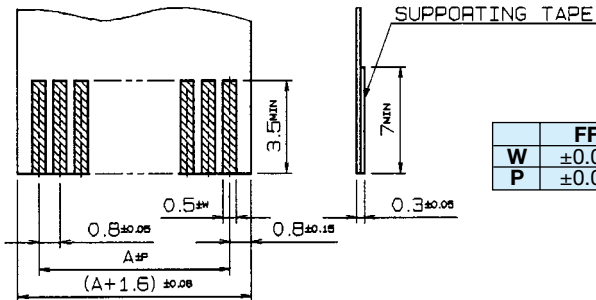


Specifications

- Number of Contacts – 4-20
- 1000 Connectors per Tape & Reel
- Voltage – 50 V
- Current Rating – 0.5 amp max.
- Dielectric Withstanding Voltage – 200V RMS min.
- Operating Temperature – (-25°C - +85°C)
- Contact & Metal Tab Material – phosphor bronze (tin-lead plated)
- Insulator Material – PPS, natural color (UL 94 V-O)
- FFC/FPC Thickness – 0.3 ±0.05 mm (0.012 ±0.002")
- Profile Height – 2.00mm (.79")



MOUNTING LAYOUT



FFC, FPC SPECIFICATION

PART NUMBER	NO. OF CONTACTS	A	B	QTY. PER REEL
04 6206 004 000 800	4	2.40	8.80	1000
▲ 005 ▲	5	3.20	9.60	1000
006	6	4.00	10.40	1000
007	7	4.80	11.20	1000
008	8	5.60	12.00	1000
009	9	6.40	12.80	1000
010	10	7.20	13.60	1000
011	11	8.00	14.40	1000
012	12	8.80	15.20	1000
013	13	9.60	16.00	1000
014	14	10.40	16.80	1000
015	15	11.20	17.60	1000
016	16	12.00	18.40	1000
017	17	12.80	19.20	1000
▼ 018 ▼	18	13.60	20.00	1000
▼ 019 ▼	19	14.40	20.80	1000
04 6206 020 000 800	20	15.20	21.60	1000

(Dimensions: mm)

ORDERING CODE

04 6206 0XX 000 800

NUMBER OF CONTACTS (04-20)

TAPE AND REEL

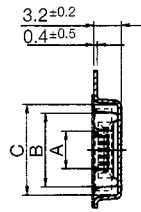
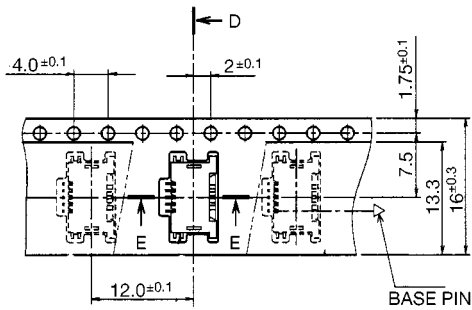
See page 27 for Tape and Reel detail.

0.80mm Pitch

Series 6206



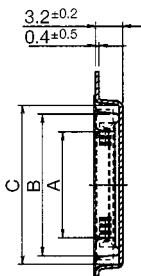
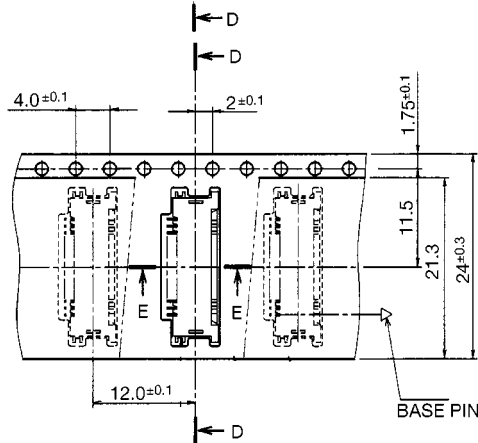
Tape and Reel Specification



SECT. D-D

Tape Width: 16mm

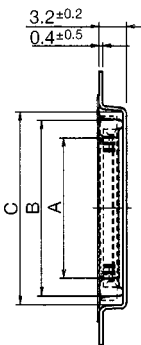
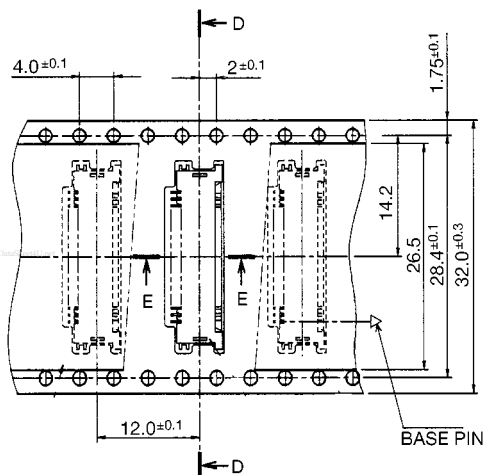
PART NUMBER	NO. OF CONTACTS	A	B	C
04 6206 004 000 800	4	3.6	7.8	9.8
04 6206 005 000 800	5	4.4	8.6	10.6



SECT. D-D

Tape Width: 24mm

PART NUMBER	NO. OF CONTACTS	A	B	C
04 6206 006 000 800	6	5.2	9.4	11.4
007	7	6.0	10.2	12.2
008	8	6.8	11.0	13.0
009	9	7.6	11.8	13.8
010	10	8.4	12.6	14.6
011	11	9.2	13.4	15.4
012	12	10.0	14.2	16.2
013	13	10.8	15.0	17.0
014	14	11.6	15.8	17.8
04 6206 015 000 800	15	12.4	16.6	18.6

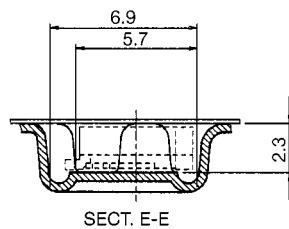


SECT. D-D

Tape Width: 32mm

PART NUMBER	NO. OF CONTACTS	A	B	C
04 6206 016 000 800	16	13.2	17.4	19.4
017	17	14.0	18.2	20.2
018	18	14.8	19.0	21.0
019	19	15.6	19.8	21.8
04 6206 020 000 800	20	16.4	20.6	22.6

(Dimensions: mm)



SECT. E-E

0.80mm Pitch

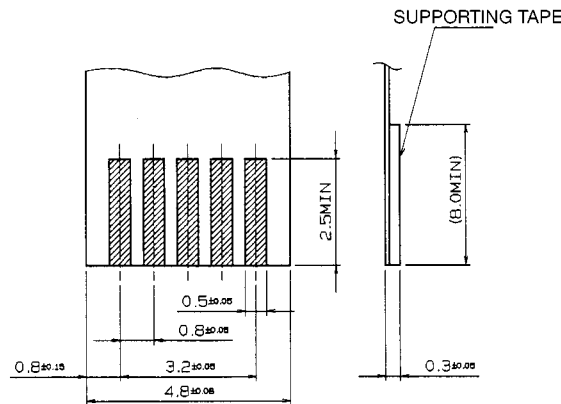
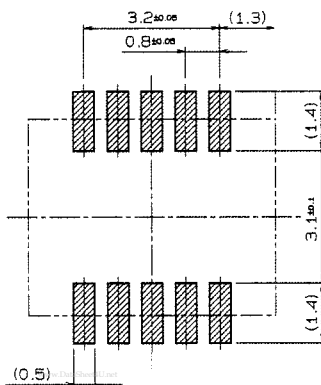
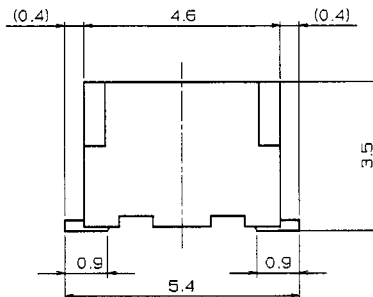
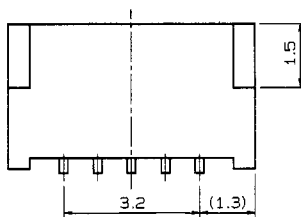
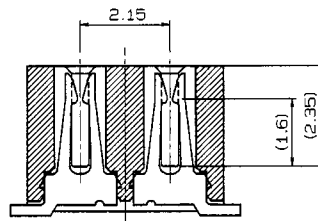
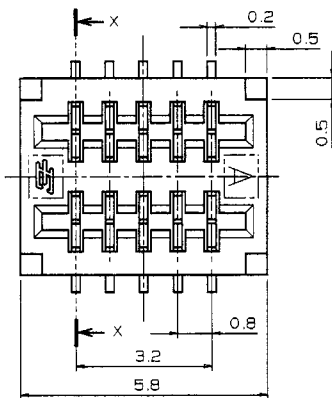
Series 6218



LIF Straight SMT (Dual Type)

Specifications

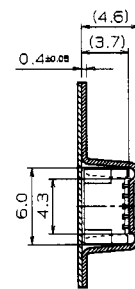
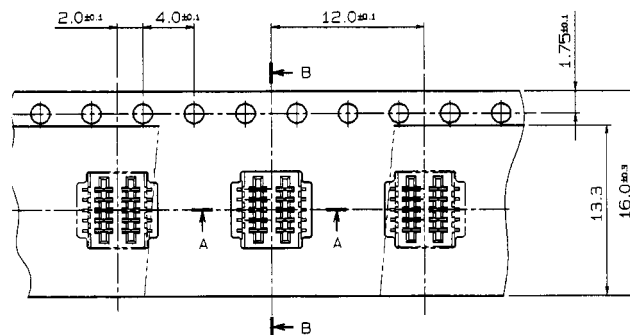
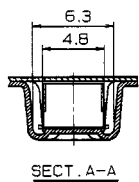
- Number of Contacts – 10
- 1500 Connectors per Tape & Reel
- Voltage – 50 V
- Current Rating – 0.5 amp max.
- Dielectric Withstanding Voltage – 500V RMS min.
- Operating Temperature – (-25°C - +85°C)
- Contact Material – phosphor bronze (tin-lead plated)
- Insulator Material – nylon 46, natural color (UL 94 V-O)
- FFC/FPC Thickness – 0.3 ± 0.05 mm (0.012 ± 0.002")
- Profile Height – 3.5mm (.138")



MOUNTING LAYOUT

FFC, FPC SPECIFICATION

Tape and Reel Package



ORDERING CODE

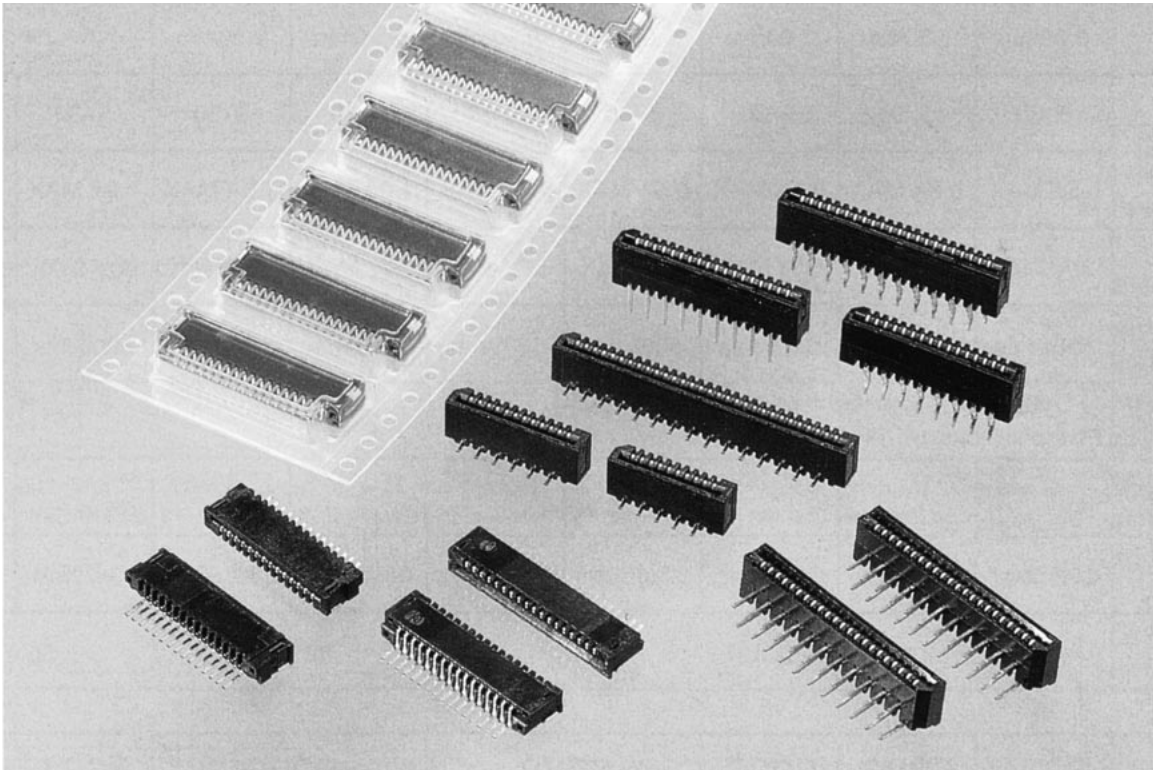
04 6218 010 000 800

— NUMBER OF CONTACTS (10 position only)

— TAPE AND REEL

1.00mm Pitch

Product Selector Guide



www.ElcoElectronics.com

SMT				THROUGH-HOLE			
Straight		Right Angle		Straight		Right Angle	
ZIF	LIF	ZIF	LIF	ZIF	LIF	ZIF	LIF
6208	6226	6200	6227	6208	6228	6200	6228
6229	6231	6224	6232	6229	6232		6232
	6232	6237					

1.00mm Pitch



Product Selector Guide

SERIES	6200		6208		6224	6226	6227	6228	
Style	ZIF R/A Through- Hole	ZIF R/A SMT	ZIF Straight Through- Hole	ZIF Straight SMT	ZIF R/A SMT	LIF Straight SMT	LIF R/A SMT	LIF R/A Through- Hole	LIF Straight Through- Hole
Contact	Bottom	Bottom	Single	Single	Top	Dual	Dual	Top	Single
Height	2.90mm	2.90mm	5 - 19 P; 5.0mm 20 - 25 P; 5.2mm 26 - 30 P; 5.5mm		2.90mm	3.50mm	2.00mm	3.00mm	4.80mm
Number of Contacts	5-30	5-30	5-30	5-30	5-30	4-20	4-20	3-22	3-22
Current Rating	1.0A Max.	1.0A Max.	1.0A Max.	1.0A Max.	1.0A Max.	1.0A Max.	1.0A Max.	0.5A Max.	0.5A Max.
Voltage Rating	50V Max.	50V Max.	50V Max.	50V Max.	50V Max.	50V Max.	50V Max.	50V Max.	50V Max.
Dielectric Withstanding Voltage	500Vrms	500Vrms	500Vrms	500Vrms	500Vrms	500Vrms	500Vrms	500Vrms	500Vrms
Contact Material	Phosphor Bronze, Tin-Plated								
Insulator Material	Glass-filled PPS	Glass-filled PPS	Glass-filled Nylon	Glass-filled PPS	Glass-filled PPS	Glass-filled Nylon	Glass-filled Nylon	Glass-filled Nylon	Glass-filled Nylon
FFC/FPC Thickness	0.3±0.05mm	0.3±0.05mm	0.3±0.05mm	0.3±0.05mm	0.3±0.05mm	0.3±0.05mm	0.3±0.05mm	0.3±0.05mm	0.3±0.05mm
Page	31 - 34		35 - 37		38 - 40	41	42 - 43	44 - 45	

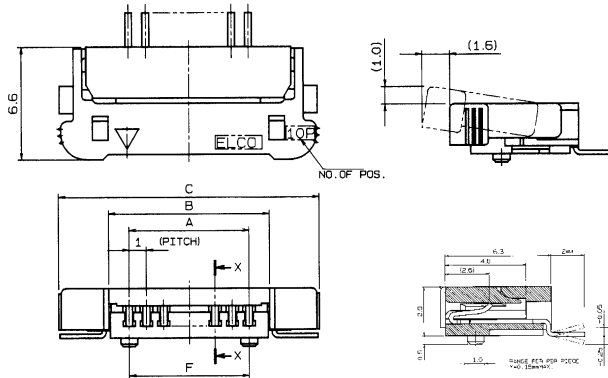
SERIES	6229		6231	6232					6237
Style	ZIF Straight Through- Hole	ZIF Straight SMT	LIF Straight SMT	LIF R/A Through- Hole	LIF Straight Through- Hole	LIF R/A SMT	LIF R/A SMT	LIF Straight SMT	ZIF R/A SMT
Contact	Single	Single	Single	Bottom	Single	Top	Bottom	Single	Bottom
Height	5.70mm	5.70mm	5.50mm	3.00mm	5.50mm	3.00mm	3.00mm	5.10mm	2.00mm
Number of Contacts	40	40	26	3-30	3-30	3-30	3-30	3-30	30
Current Rating	1.0A Max.	1.0A Max.	1.0A Max.	0.5A Max.	0.5A Max.	0.5A Max.	0.5A Max.	0.5A Max.	0.4A Max.
Voltage Rating	50V Max.	50V Max.	50V Max.	50V Max.	50V Max.	50V Max.	50V Max.	50V Max.	50V Max.
Dielectric Withstanding Voltage	500Vrms	500Vrms	500Vrms	500Vrms	500Vrms	500Vrms	500Vrms	500Vrms	200Vrms
Contact Material	Phosphor Bronze, Tin-Plated								
Insulator Material	Glass-filled PPS	Glass-filled PPS	Glass-filled PPS	(Glass-filled Nylon) (Glass-filled PPS)	Glass-filled Nylon	Glass-filled PPS	Glass-filled PPS	Glass-filled PPS	Glass-filled PPS
FFC/FPC Thickness	0.3±0.05mm	0.3±0.05mm	0.3±0.05mm	0.3±0.05mm	0.3±0.05mm	0.3±0.05mm	0.3±0.05mm	0.3±0.05mm	0.3±0.05mm
Page	46 - 47		48	49 - 55					56

1.00mm Pitch

Series 6200



WITH SOLDER TAB/BOSS

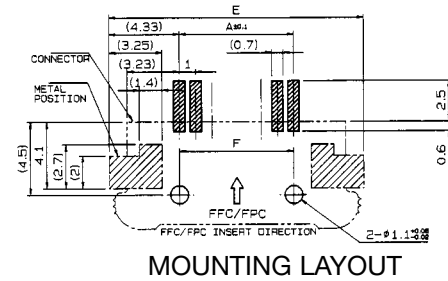
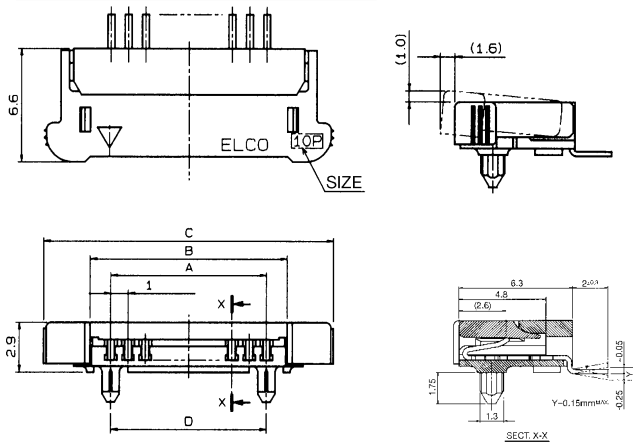


ZIF Right Angle SMT (Bottom Contact)

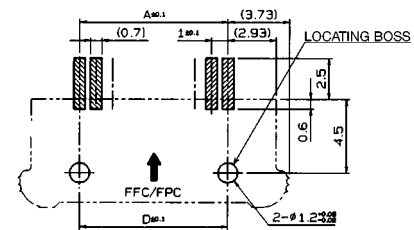
Specifications

- Number of Contacts – 5-30
- Tray Packaged / Tape & Reel
- Voltage – 50 V
- Current Rating – 1.0 amp max.
- Dielectric Withstanding Voltage – 500V RMS min.
- Operating Temperature – (-20°C - +85°C)
- Contact Material – phosphor bronze (tin-lead plated)
- Insulator & Slider Material – PPS, brown color (UL 94 V-O)
- FFC/FPC Thickness – 0.3 ±0.05 mm (0.012 ±0.002")
- Profile Height – 2.90mm (.114")

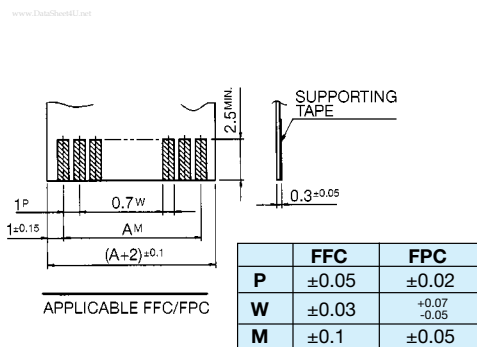
SMT With Alignment Boss



MOUNTING LAYOUT



MOUNTING LAYOUT (t=1.2mm)



ORDERING CODE XX 6200 XX7 XXX 800

NUMBER OF CONTACTS (05-30)
TRAY PACKAGE FLEX TYPE
00=STANDARD
05=CARBON PASTE MEMBRANE FLEX

VARIATION CODE
052:WITH SOLDER TAB/BOSS
022:WITH ALIGNMENT BOSS

PART NUMBER	NO. OF CONTACTS	A	B	C	D	E	F	QTY. PER TRAY
XX 6200 057 XXX 800	5	4.0	6.4	12.25	12.25	12.65	4	290
067	6	5.0	7.4	13.25	13.25	13.65	5	270
077	7	6.0	8.4	14.25	14.25	14.65	6	250
087	8	7.0	9.4	15.25	15.25	15.65	7	230
097	9	8.0	10.4	16.25	16.25	16.65	8	220
107	10	9.0	11.4	17.25	17.25	17.65	9	210
117	11	10.0	12.4	18.25	18.25	18.65	10	190
127	12	11.0	13.4	19.25	19.25	19.65	11	180
137	13	12.0	14.4	20.25	20.25	20.65	12	170
147	14	13.0	15.4	21.25	21.25	21.65	13	160
157	15	14.0	16.4	22.25	22.25	22.65	14	160
167	16	15.0	17.4	23.25	23.25	23.65	15	150
177	17	16.0	18.4	24.25	24.25	24.65	16	140
187	18	17.0	19.4	25.25	25.25	25.65	17	140
197	19	18.0	20.4	26.25	26.25	26.65	18	130
207	20	19.0	21.4	27.25	27.25	27.65	19	130
227	22	21.0	23.4	29.25	29.25	29.65	21	120
237	23	22.0	24.4	30.25	30.25	30.65	22	120
247	24	23.0	25.4	31.25	31.25	31.65	23	110
257	25	24.0	26.4	32.25	32.25	32.65	24	110
267	26	25.0	27.4	33.25	33.25	33.65	25	110
277	27	26.0	28.4	34.25	34.25	34.65	26	100
287	28	27.0	29.4	35.25	35.25	35.65	27	100
297	29	28.0	30.4	36.25	36.25	36.65	28	100
XX 6200 307 XXX 800	30	29.0	31.4	37.25	37.25	37.65	29	90

(Dimensions: mm)

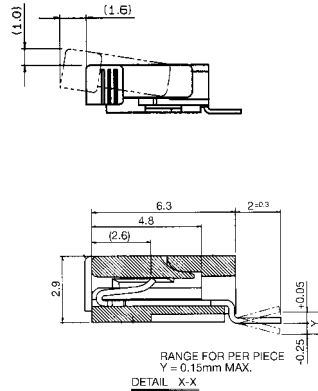
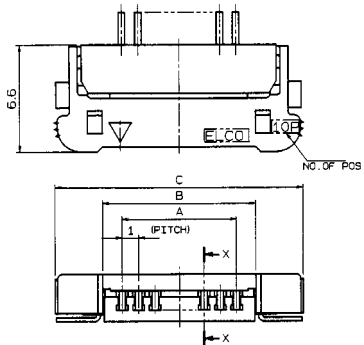
1.00mm Pitch

Series 6200



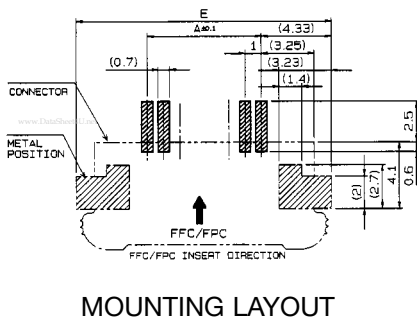
ZIF Right Angle SMT (Bottom Contact)

WITH SOLDER TAB, NO BOSS



Specifications

- Number of Contacts – 5-30
- Tray Packaged / Tape & Reel
- Voltage – 50 V
- Current Rating – 1.0 amp max.
- Dielectric Withstanding Voltage – 500V RMS min.
- Operating Temperature – (-20°C - +85°C)
- Contact Material – phosphor bronze (tin-lead plated)
- Insulator & Slider Material – PPS, brown color (UL 94 V-O)
- FFC/FPC Thickness – 0.3 ±0.05 mm (0.012 ±0.002")
- Profile Height – 2.90mm (.114")



MOUNTING LAYOUT

PART NUMBER	NO. OF CONTACTS	A	B	C	D	E	F	QTY. PER TRAY
XX 6200 057 032 800	5	4.0	6.4	12.25	12.25	12.65	4	290
067	6	5.0	7.4	13.25	13.25	13.65	5	270
077	7	6.0	8.4	14.25	14.25	14.65	6	250
087	8	7.0	9.4	15.25	15.25	15.65	7	230
097	9	8.0	10.4	16.25	16.25	16.65	8	220
107	10	9.0	11.4	17.25	17.25	17.65	9	210
117	11	10.0	12.4	18.25	18.25	18.65	10	190
127	12	11.0	13.4	19.25	19.25	19.65	11	180
137	13	12.0	14.4	20.25	20.25	20.65	12	170
147	14	13.0	15.4	21.25	21.25	21.65	13	160
157	15	14.0	16.4	22.25	22.25	22.65	14	160
167	16	15.0	17.4	23.25	23.25	23.65	15	150
177	17	16.0	18.4	24.25	24.25	24.65	16	140
187	18	17.0	19.4	25.25	25.25	25.65	17	140
197	19	18.0	20.4	26.25	26.25	26.65	18	130
207	20	19.0	21.4	27.25	27.25	27.65	19	130
217	21	20.0	22.4	28.25	28.25	28.65	20	130
227	22	21.0	23.4	29.25	29.25	29.65	21	120
237	23	22.0	24.4	30.25	30.25	30.65	22	120
247	24	23.0	25.4	31.25	31.25	31.65	23	110
257	25	24.0	26.4	32.25	32.25	32.65	24	110
267	26	25.0	27.4	33.25	33.25	33.65	25	110
277	27	26.0	28.4	34.25	34.25	34.65	26	100
287	28	27.0	29.4	35.25	35.25	35.25	27	100
297	29	28.0	30.4	36.25	36.25	36.65	28	100
XX 6200 307 032 800	30	29.0	31.4	37.25	37.25	37.65	29	90

(Dimensions: mm)

ORDERING CODE

XX 6200 XX7 032 800

- NUMBER OF CONTACTS (05-30)
- TRAY PACKAGE FLEX TYPE
 - 00=STANDARD
 - 05=CARBON PASTE MEMBRANE FLEX

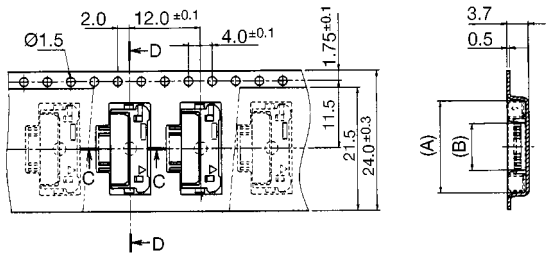
See page 33 for Tape and Reel ordering information.

1.00mm Pitch

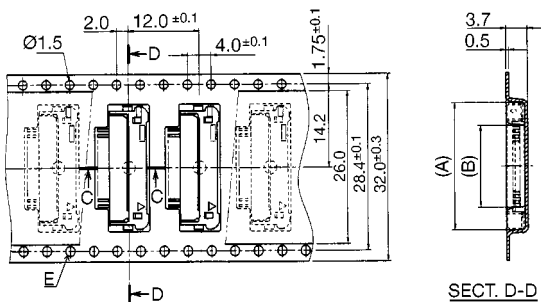
Series 6200



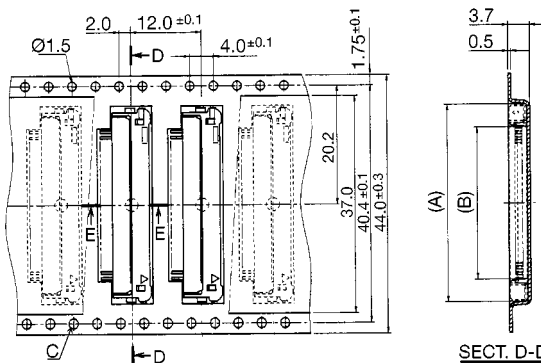
Tape and Reel Specification



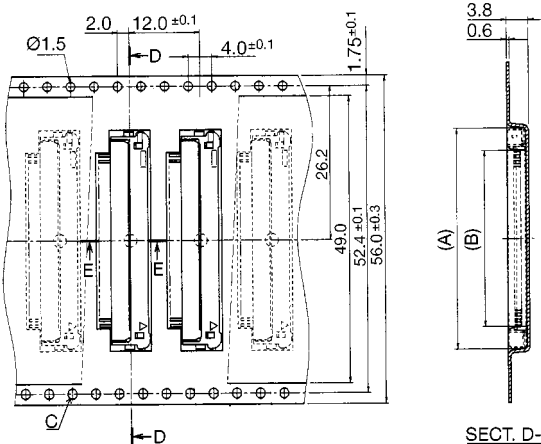
SECT. D-D



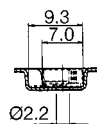
SECT. D-D



SECT. D-D



SECT. D-D



Tape Width: 24mm

PART NUMBER	NO. OF CONTACTS	A	B	QTY. PER REEL
00 6200 505 130 000	5	12.7	5.0	1000
↑ 506	6	13.7	6.0	1000
↑ 507	7	14.7	7.0	1000
↑ 508	8	15.7	8.0	1000
↑ 509	9	16.7	9.0	1000
↓ 510	10	17.7	10.0	1000
00 6200 511 130 000	11	18.7	11.0	1000

Tape Width: 32mm

PART NUMBER	NO. OF CONTACTS	A	B	QTY. PER REEL
00 6200 512 230 000	12	19.7	12.0	1000
↑ 513	13	20.7	13.0	1000
↑ 514	14	21.7	14.0	1000
↓ 515	15	22.7	15.0	1000
00 6200 516 230 000	16	23.7	16.0	1000

Tape Width: 44mm

PART NUMBER	NO. OF CONTACTS	A	B	QTY. PER REEL
00 6200 517 330 000	17	24.7	17.0	1000
↑ 518	18	25.7	18.0	1000
↑ 519	19	26.7	19.0	1000
↑ 520	20	27.7	20.0	1000
↑ 521	21	28.7	21.0	1000
↑ 522	22	29.7	22.0	1000
↑ 523	23	30.7	23.0	1000
↑ 524	24	31.7	24.0	1000
↑ 525	25	32.7	25.0	1000
↓ 526	26	33.7	26.0	1000
00 6200 527 330 000	27	34.7	27.0	1000

Tape Width: 56mm

PART NUMBER	NO. OF CONTACTS	A	B	QTY. PER REEL
00 6200 528 430 000	28	35.7	28.0	1000
00 6200 529 430 000	29	36.7	29.0	1000
00 6200 530 430 000	30	37.7	30.0	1000

(Dimensions: mm)

ORDERING CODE

00 6200 5XX XX0 000

NUMBER OF CONTACTS (05-30) — 3—STANDARD FLEX
 — 5—CARBON PASTE FLEX
 VARIATION CODE (See above tables)
 1: EMBOSS 24.0mm 3: EMBOSS 44.0mm
 2: EMBOSS 32.0mm 4: EMBOSS 56.0mm

Above part numbers are Tape and Reeled packaging of 032 variation

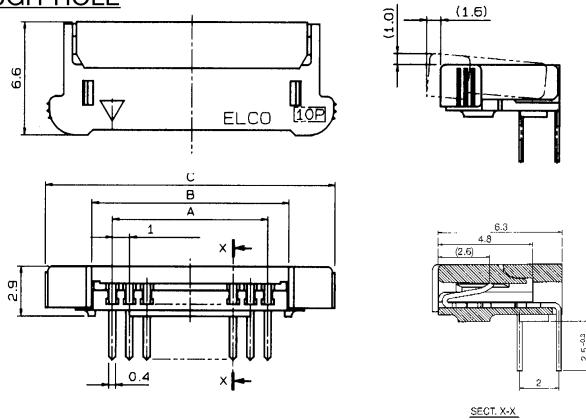
1.00mm Pitch

Series 6200



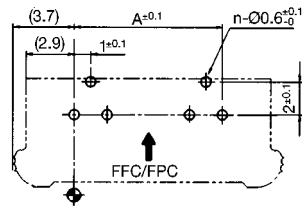
ZIF Right Angle Through-Hole (Bottom Contact)

THROUGH-HOLE

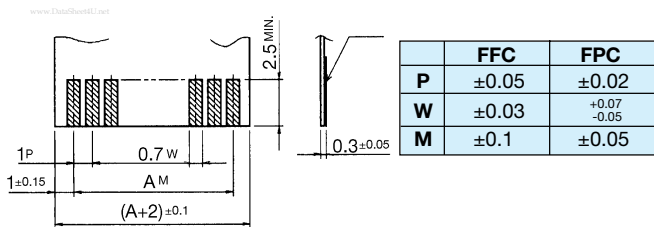


Specifications

- Number of Contacts – 5-30
- Tray Packaged / Tape & Reel
- Voltage – 50 V
- Current Rating – 1.0 amp max.
- Dielectric Withstanding Voltage – 500V RMS min.
- Operating Temperature – (-20°C - +85°C)
- Contact Material – phosphor bronze (tin-lead plated)
- Insulator & Slider Material – PPS, brown color (UL 94 V-0)
- FFC/FPC Thickness – 0.3 ±0.05 mm (0.012 ±0.002")
- Profile Height – 2.90mm (.114")



MOUNTING LAYOUT (t=1.2mm)



FFC, FPC SPECIFICATION

PART NUMBER	NO. OF CONTACTS	A	B	C	D	QTY. PER TRAY
XX 6200 057 012 800	5	4.0	6.4	11.45	4	310
067	6	5.0	7.4	12.45	5	280
077	7	6.0	8.4	13.45	6	260
087	8	7.0	9.4	14.45	7	250
097	9	8.0	10.4	15.45	8	230
107	10	9.0	11.4	16.45	9	220
117	11	10.0	12.4	17.45	10	200
127	12	11.0	13.4	18.45	11	190
137	13	12.0	14.4	19.45	12	180
147	14	13.0	15.4	20.45	13	170
157	15	14.0	16.4	21.45	14	160
167	16	15.0	17.4	22.45	15	160
177	17	16.0	18.4	23.45	16	150
187	18	17.0	19.4	24.45	17	140
197	19	18.0	20.4	25.45	18	140
207	20	19.0	21.4	26.45	19	130
217	21	20.0	22.4	27.45	20	130
227	22	21.0	23.4	28.45	21	120
237	23	22.0	24.4	29.45	22	120
247	24	23.0	25.4	30.45	23	110
257	25	24.0	26.4	31.45	24	110
267	26	25.0	27.4	32.45	25	110
277	27	26.0	28.4	33.45	26	100
287	28	27.0	29.4	34.45	27	100
297	29	28.0	30.4	35.45	28	100
XX 6200 307 012 800	30	29.0	31.4	36.45	29	90

(Dimensions: mm)

ORDERING CODE

XX 6200 XX7 012 800

NUMBER OF CONTACTS (05-30)
 TRAY PACKAGE
 FLEX TYPE
 00=STANDARD FFC/FPC
 05=CARBON PASTE MEMBRANE FLEX

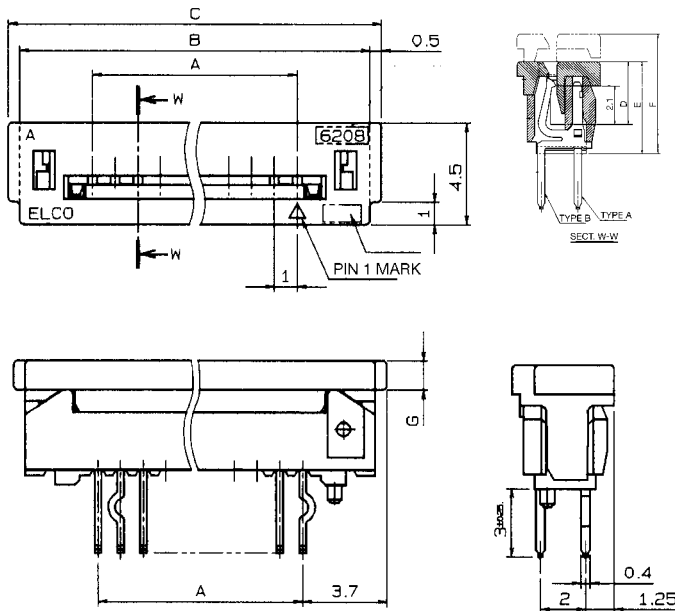
NOTE: These are recommended for hand placement onto PCB.

1.00mm Pitch

Series 6208

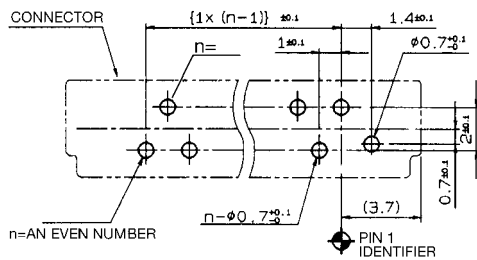


ZIF Straight Through-Hole

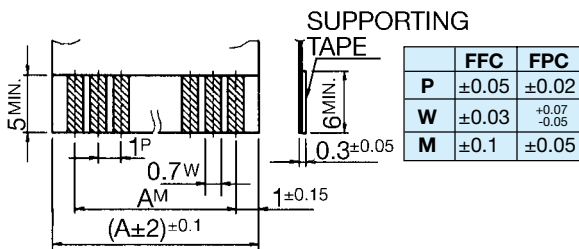


Specifications

- Number of Contacts – 5-30
- Tray Packaged, Tube or Tape & Reel
- Voltage – 50 V
- Current Rating – 1.0 amp max.
- Dielectric Withstanding Voltage – 500V RMS min.
- Operating Temperature – (-30°C - +85°C)
- Contact Material – phosphor bronze (tin-lead plated)
- Slider Material – PPS (UL 94 V-O)
- Insulator Material – glass-filled nylon, PPS
- FFC/FPC Thickness – 0.3 ±0.05 mm (0.012 ±0.002")
- PCB Thickness – 1.2-1.6mm .047 ~ .063"
- Profile Height – See "E" dimension



MOUNTING LAYOUT



FFC, FPC SPECIFICATION

PART NUMBER	NO. OF CONTACTS	A	B	C	D	E	F	G	QTY. PER TUBE	QTY. PER TRAY
XX 6208 XX0 105 001	5	4.0	10.4	11.4	3.4	5.0	6.5	.08	42	310
106	6	5.0	11.4	12.4					38	290
107	7	6.0	12.4	13.4					35	260
108	8	7.0	13.4	14.4					33	250
109	9	8.0	14.4	15.4					31	230
110	10	9.0	15.4	16.4					29	220
111	11	10.0	16.4	17.4					27	200
112	12	11.0	17.4	18.4					26	190
113	13	12.0	18.4	19.4					24	180
114	14	13.0	19.4	20.4					23	170
115	15	14.0	20.4	21.4					22	160
116	16	15.0	21.4	22.4					21	150
117	17	16.0	22.4	23.4					20	150
118	18	17.0	23.4	24.4					19	140
119	19	18.0	24.4	25.4					18	140
120	20	19.0	25.4	26.4	3.4	5.0	6.5	0.8	18	130
121	21	20.0	26.4	27.4	3.6	5.2	6.7	1.0	17	130
122	22	21.0	27.4	28.4					17	120
123	23	22.0	28.4	29.4					16	120
124	24	23.0	29.4	30.4					16	110
125	25	24.0	30.4	31.4	3.6	5.2	6.7	1.0	15	110
126	26	25.0	31.4	32.4	3.9	5.5	7.0	1.3	15	110
127	27	26.0	32.4	33.4					14	100
128	28	27.0	33.4	34.4					14	100
129	29	28.0	34.4	35.4					13	100
XX 6208 XX0 130 001	30	29.0	35.4	36.4	3.9	5.5	7.0	1.3	13	90

(Dimensions: mm)

ORDERING CODE

XX 6208 XX0 1XX 001

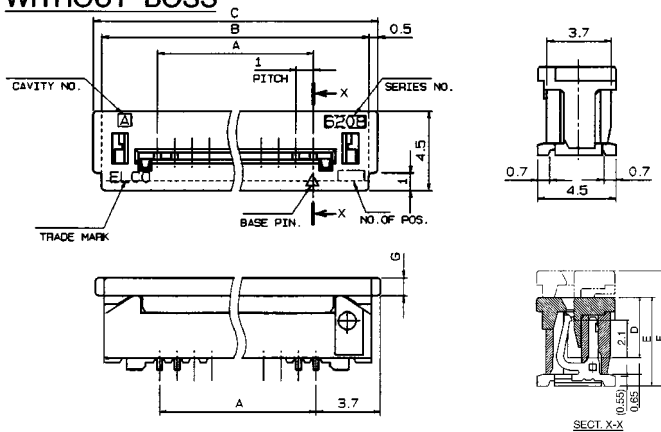
- NUMBER OF CONTACTS (05-30)
- 0: WITHOUT BOSS
- 1: WITH BOSS (1 Place)
- 0: WITH KINKED LEGS (Preferred option)
- 1: WITHOUT KINKED LEGS
- 08=TUBE PACKAGE (WITHOUT KINKED LEGS/BOSS)
- 00=TRAY PACKAGE

1.00mm Pitch

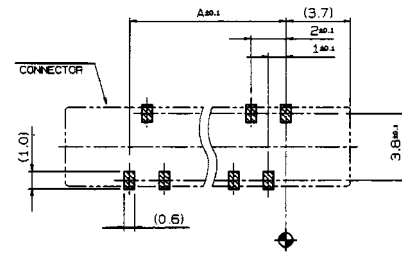
Series 6208



WITHOUT BOSS

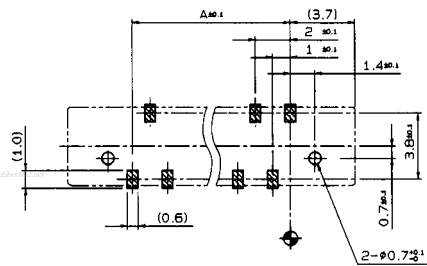
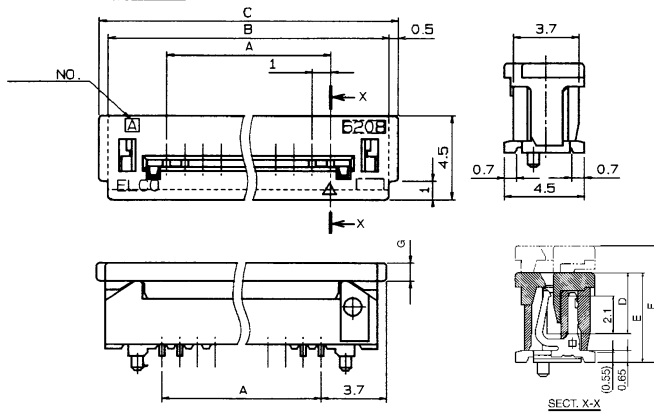


ZIF Straight SMT

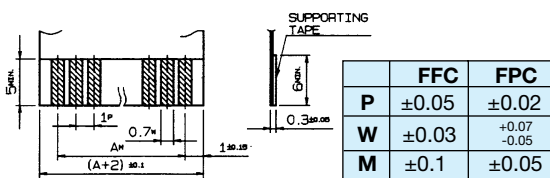


MOUNTING LAYOUT

WITH BOSS



MOUNTING LAYOUT



FFC, FPC SPECIFICATION

ORDERING CODE

XX 6208 XXX OXX XXX

00=TRAY
08=TUBE
PACKAGE

FLEX TYPE
000=STANDARD
009=CARBON PASTE

VARIATION CODE

+500=SMT WITHOUT BOSS
520=SMT WITH BOSS (2 Places)

NUMBER OF CONTACTS (05-30)

PART NUMBER	NO. OF CONTACTS	A	B	C	D	E	F	G	QTY. PER TUBE	QTY. PER TRAY
XX 6208 XXX 005 XXX	5	4.0	10.4	11.4	3.4	5.0	6.5	0.8	42	310
006	6	5.0	11.4	12.4					38	290
007	7	6.0	12.4	13.4					35	260
008	8	7.0	13.4	14.4					33	250
009	9	8.0	14.4	15.4					31	230
010	10	9.0	15.4	16.4					29	220
011	11	10.0	16.4	17.4					27	200
012	12	11.0	17.4	18.4					26	190
013	13	12.0	18.4	19.4					24	180
014	14	13.0	19.4	20.4					23	170
015	15	14.0	20.4	21.4					22	160
016	16	15.0	21.4	22.4					21	150
017	17	16.0	22.4	23.4					20	150
018	18	17.0	23.4	24.4					19	140
019	19	18.0	24.4	25.4					18	140
020	20	19.0	25.4	26.4	3.4	5.0	6.5	0.8	18	130
021	21	20.0	26.4	27.4	3.6	5.2	6.7	1.0	17	130
022	22	21.0	27.4	28.4					16	120
023	23	22.0	28.4	29.4					16	120
024	24	23.0	29.4	30.4					15	110
025	25	24.0	30.4	31.4	3.6	5.2	6.7	1.0	15	110
026	26	25.0	31.4	32.4	3.9	5.5	7.0	1.3	-	110
									-	100
028	28	27.0	33.4	34.4	3.9	5.5	7.0	1.3	-	100
									-	100
XX 6208 XXX 030 XXX	30	29.0	35.4	36.4	3.9	5.5	7.0	1.3	-	90

(Dimensions: mm)

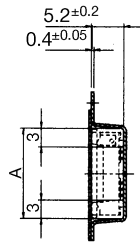
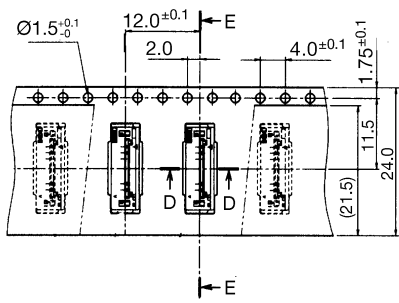
*NOTE: Elco Standard for the 500 variation is Tape and Reel.
See page 37 for ordering information.

1.00mm Pitch

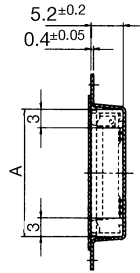
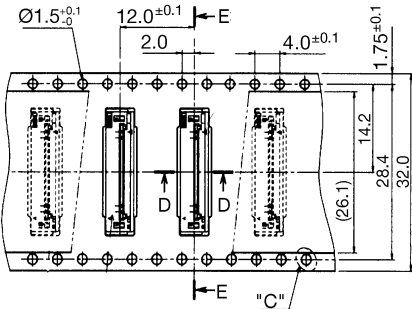
Series 6208



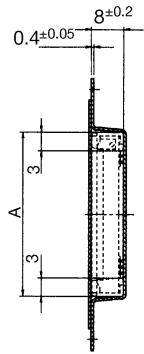
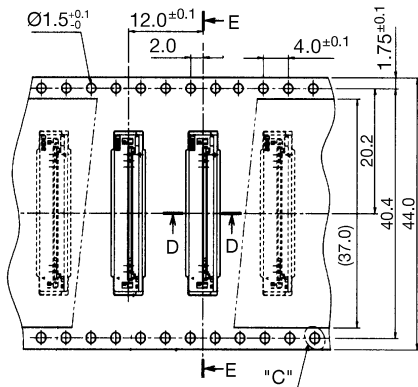
Tape and Reel Specification



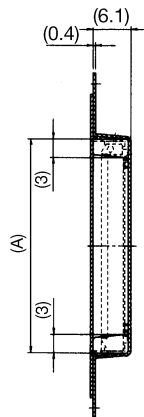
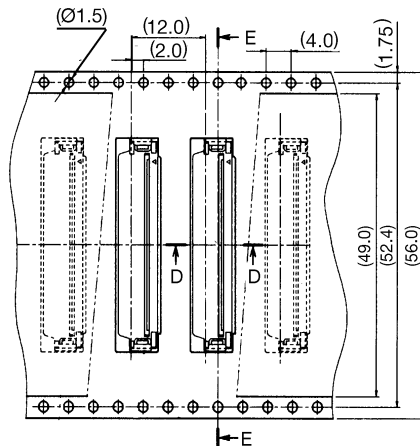
SECT. E-E



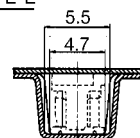
SECT. E-E



SECT. E-E



SECT. E-E



SECT. D-D

Tape Width: 24mm

PART NUMBER	NO. OF CONTACTS	A	QTY. PER REEL
00 6208 505 110 XXX	5	11.6	1000
↑ 506 ↑	6	12.6	1000
↑ 507 ↑	7	13.6	1000
↓ 508 ↓	8	14.6	1000
↓ 509 ↓	9	15.6	1000
00 6208 510 110 XXX	10	16.6	1000

Tape Width: 32mm

PART NUMBER	NO. OF CONTACTS	A	QTY. PER REEL
00 6208 511 210 XXX	11	17.6	1000
↑ 512 ↑	12	18.6	1000
↑ 513 ↑	13	19.6	1000
↓ 514 ↓	14	20.6	1000
↓ 515 ↓	15	21.6	1000
00 6208 516 210 XXX	16	22.6	1000

Tape Width: 44mm

PART NUMBER	NO. OF CONTACTS	A	QTY. PER REEL
00 6208 517 310 XXX	17	23.6	1000
↑ 518 ↑	18	24.6	1000
↑ 519 ↑	19	25.6	1000
↑ 520 ↑	20	26.6	1000
↑ 521 ↑	21	27.6	1000
↑ 522 ↑	22	28.6	1000
↑ 523 ↑	23	29.6	1000
↓ 524 ↓	24	30.6	1000
↓ 525 ↓	25	31.6	1000
00 6208 526 310 XXX	26	32.6	1000

Tape Width: 56mm

PART NUMBER	NO. OF CONTACTS	A	QTY. PER REEL
00 6208 528 410 XXX	28	34.7	1000
00 6208 530 410 XXX	30	36.7	1000

(Dimensions: mm)

ORDERING CODE

00 6208 5XX X10 XXX

NUMBER OF CONTACTS (05-30)

000 STANDARD
009 CARBON PASTE

VARIATION CODE

- 1: EMBOSS 24.0mm
- 2: EMBOSS 32.0mm
- 3: EMBOSS 44.0mm
- 4: EMBOSS 56.0mm

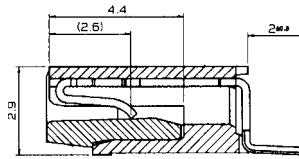
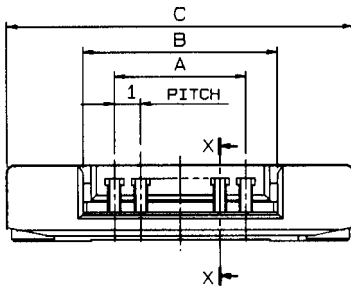
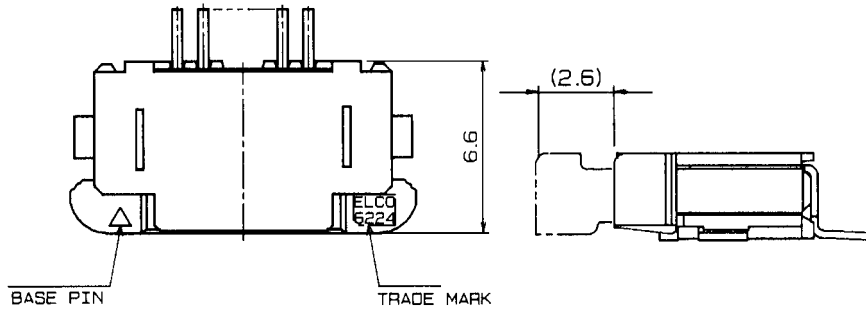
SMT W/O BOSS ON 1000 PIECE TAPE AND REEL

1.00mm Pitch

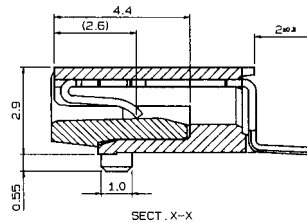
Series 6224



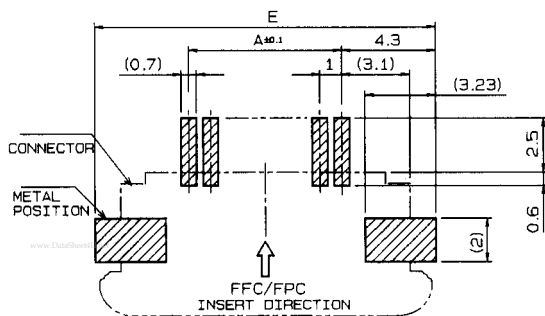
ZIF Right Angle SMT (Top Contact)



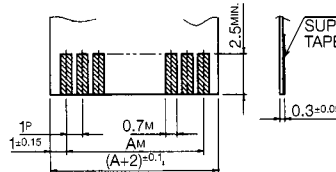
WITHOUT BOSS



WITH BOSS



MOUNTING LAYOUT



FFC, FPC SPECIFICATION

	FFC	FPC
P	±0.05	±0.02
W	±0.03	+0.07 -0.05
M	±0.1	±0.05

ORDERING CODE

XX 6224 0XX XXX 800

NUMBER OF CONTACTS (05-30)
 OF CONTACTS (05-30)
 FLEX TYPE
 001: STANDARD WITHOUT BOSS
 002: CARBON PASTE WITHOUT BOSS
 003: WITH BOSS (Tray only)
 004: STANDARD WITH BOSS (Tray only)
 08=TAPE AND REEL
 00=TRAY PACKAGING (only with boss)

See page 39 and 40 for Tape and Reel detail.

Specifications

- Number of Contacts – 5-30
- 1000 Connectors per Tape & Reel
- Voltage – 50 V
- Current Rating – 1.0 amp max.
- Dielectric Withstanding Voltage – 500V RMS min.
- Operating Temperature – (-20°C - +85°C)
- Contact & Metal Tab Material – phosphor bronze (tin-lead plated)
- Slider Material – PPS, black color (UL 94 V-O)
- Insulator Material – PPS, brown color (UL 94 V-O)
- FFC/FPC Thickness – 0.3 ±0.05 mm (0.012 ±0.002")
- Profile Height – 2.90mm (.114")

PART NUMBER	NO. OF CONTACTS	A	B	C	D	E	QTY. PER REEL	QTY. PER TRAY
XX 6224 005 XXX 800	5	4.0	6.2	12.2	11.9	12.6	1000	261
006	6	5.0	7.2	13.2	12.9	13.6	1000	243
007	7	6.0	8.2	14.2	13.9	14.6	1000	225
008	8	7.0	9.2	15.2	14.9	15.6	1000	207
009	9	8.0	10.2	16.2	15.9	16.6	1000	198
010	10	9.0	11.2	17.2	16.9	17.6	1000	189
011	11	10.0	12.2	18.2	17.9	18.6	1000	171
012	12	11.0	13.2	19.2	18.9	19.6	1000	162
013	13	12.0	14.2	20.2	19.9	20.6	1000	153
014	14	13.0	15.2	21.2	20.9	21.6	1000	153
015	15	14.0	16.2	22.2	21.9	22.6	1000	144
016	16	15.0	17.2	23.2	22.9	23.6	1000	135
017	17	16.0	18.2	24.2	23.9	24.6	1000	135
018	18	17.0	19.2	25.2	24.9	25.6	1000	126
019	19	18.0	20.2	26.2	25.9	26.6	1000	117
020	20	19.0	21.2	27.2	26.9	27.6	1000	117
021	21	20.0	22.2	28.2	27.9	28.6	1000	108
022	22	21.0	23.2	29.2	28.9	29.6	1000	108
023	23	22.0	24.2	30.2	29.9	30.6	1000	108
024	24	23.0	25.2	31.2	30.9	31.6	1000	99
025	25	24.0	26.2	32.2	31.9	32.6	1000	99
026	26	25.0	27.2	33.2	32.9	33.6	1000	90
027	27	26.0	28.2	34.2	33.9	34.6	1000	90
028	28	27.0	29.2	35.2	34.9	35.6	1000	90
029	29	28.0	30.2	36.2	35.9	36.6	1000	90
XX 6224 030 XXX 800	30	29.0	31.2	37.2	36.9	37.6	1000	81

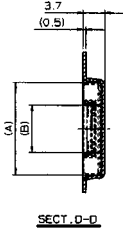
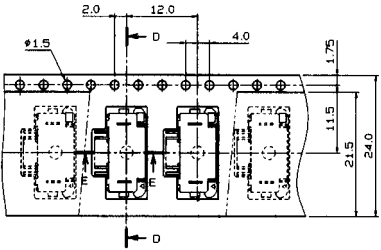
(Dimensions: mm)

1.00mm Pitch

Series 6224

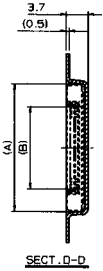
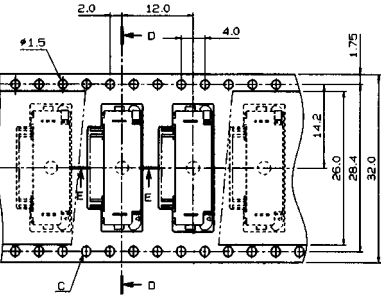


Tape and Reel Specification



Tape Width: 24mm

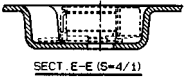
PART NUMBER	NO. OF CONTACTS	A	B	QTY. PER REEL
08 6224 005 001 800	5	12.7	5.0	1000
↑ 006	6	13.7	6.0	1000
↑ 007	7	14.7	7.0	1000
↑ 008	8	15.7	8.0	1000
↑ 009	9	16.7	9.0	1000
↓ 010	10	17.7	10.0	1000
08 6224 011 001 800	11	18.7	11.0	1000



Tape Width: 32mm

PART NUMBER	NO. OF CONTACTS	A	B	QTY. PER REEL
08 6224 012 001 800	12	19.7	12.0	1000
↑ 013	13	20.7	13.0	1000
↑ 014	14	21.7	14.0	1000
↑ 015	15	22.7	15.0	1000
08 6224 016 001 800	16	23.7	16.0	1000

(Dimensions: mm)

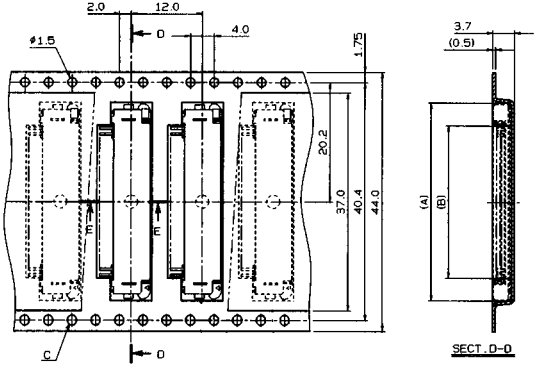


1.00mm Pitch

Series 6224

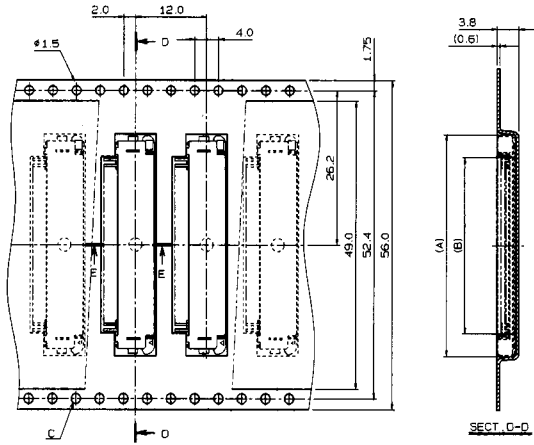


Tape and Reel Specification



Tape Width: 44mm

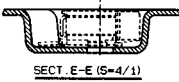
PART NUMBER	NO. OF CONTACTS	A	B	QTY. PER REEL
08 6224 017 001 800	17	24.7	17.0	1000
↑ 018 ↑	18	25.7	18.0	1000
019	19	26.7	19.0	1000
020	20	27.7	20.0	1000
021	21	28.7	21.0	1000
022	22	29.7	22.0	1000
023	23	30.7	23.0	1000
024	24	31.7	24.0	1000
025	25	32.7	25.0	1000
↓ 026 ↓	26	33.7	26.0	1000
08 6224 027 001 800	27	34.7	27.0	1000



Tape Width: 56mm

PART NUMBER	NO. OF CONTACTS	A	B	QTY. PER REEL
08 6224 028 001 800	28	35.7	28.0	1000
08 6224 029 001 800	29	36.7	29.0	1000
08 6224 030 001 800	30	37.7	30.0	1000

(Dimensions: mm)



1.00mm Pitch

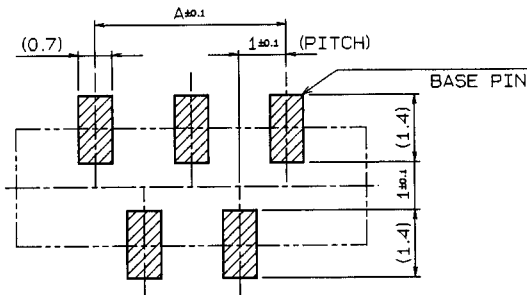
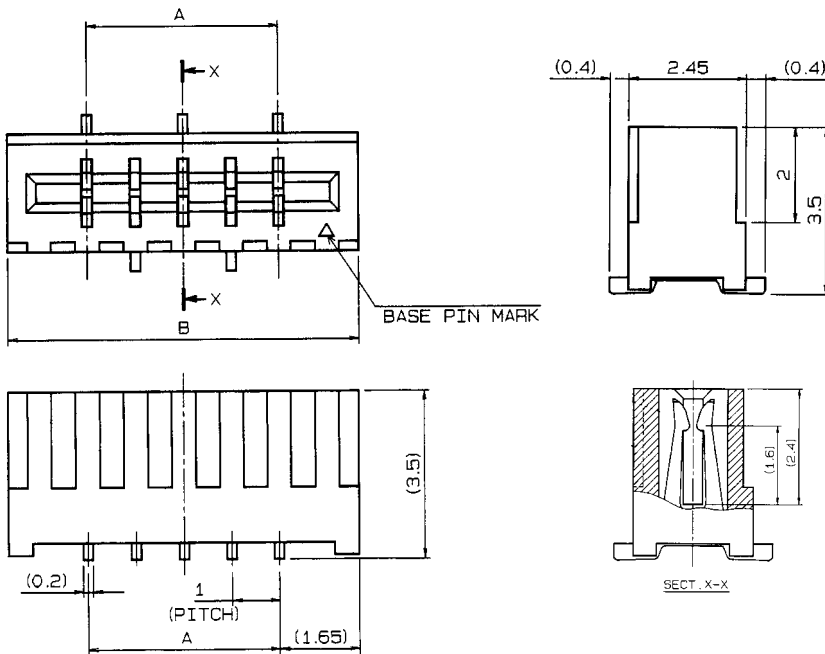
Series 6226



LIF Straight SMT (Dual Sided Contact)

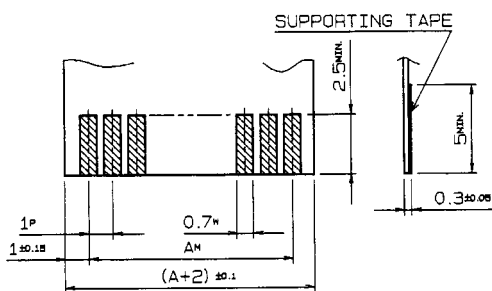
Specifications

- Number of Contacts – 4-20
- Tray Packaged
- Some sizes available Tape & Reeled
- Voltage – 50 V
- Current Rating – 1.0 amp max.
- Dielectric Withstanding Voltage – 500V RMS min.
- Operating Temperature – (-20°C - +85°C)
- Contact Material – phosphor bronze (tin-lead plated)
- Insulator Material – glass-filled nylon
- FFC/FPC Thickness – 0.3 ±0.05 mm (0.012 ±0.002")
- Profile Height – 3.50mm



MOUNTING LAYOUT

www.elcoelectronics.com



FFC, FPC SPECIFICATION

	FFC	FPC
P	±0.05	±0.02
W	±0.03	+0.07 -0.05
M	±0.1	±0.05

PART NUMBER	NO. OF CONTACTS	A	B	QTY. PER TRAY
00 6226 004 001 800	4	3.0	6.3	570
005	5	4.0	7.3	490
006	6	5.0	8.3	430
007	7	6.0	9.3	390
008	8	7.0	10.3	350
009	9	8.0	11.3	320
010	10	9.0	12.3	290
011	11	10.0	13.3	270
012	12	11.0	14.3	250
013	13	12.0	15.3	230
014	14	13.0	16.3	220
015	15	14.0	17.3	200
016	16	15.0	18.3	190
017	17	16.0	19.3	180
018	18	17.0	20.3	170
019	19	18.0	21.3	170
00 6226 020 001 800	20	19.0	22.3	160

(Dimensions: mm)

ORDERING CODE

00 6226 OXX 001 800

NUMBER
OF
CONTACTS (04-20)
TRAY PACKAGE

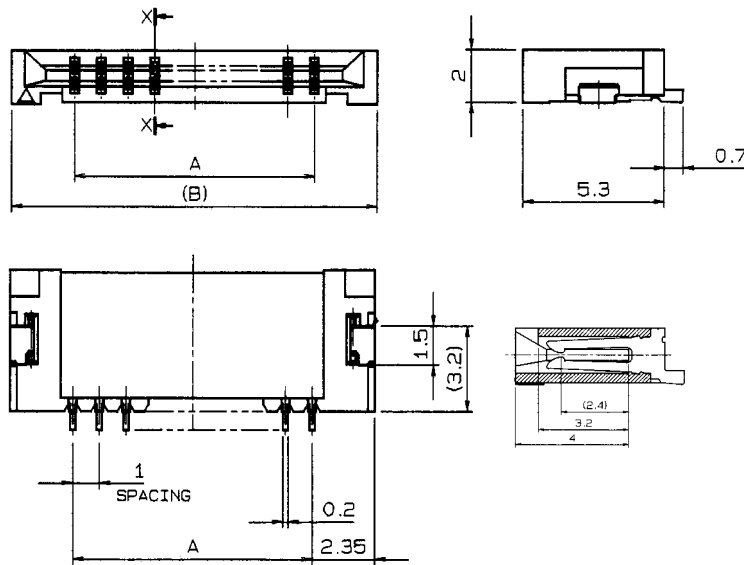
Note: Some sizes also available in Tape and Reel – contact sales office

1.00mm Pitch

Series 6227

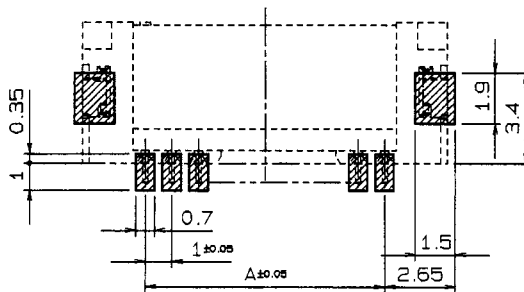


LIF Right Angle SMT (Dual Sided Contact)

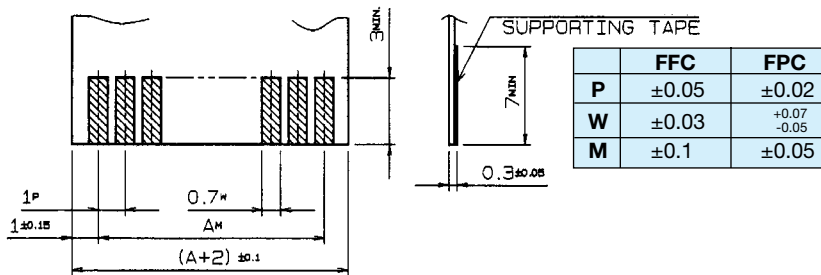


Specifications

- Number of Contacts – 4-20
- 1000 Connectors per Tape & Reel
- Voltage – 50 V
- Current Rating – 1.0 amp max.
- Dielectric Withstanding Voltage – 500V RMS min.
- Operating Temperature – (-40°C - +85°C)
- Contact & Metal Tab Material – phosphor bronze (tin-lead plated)
- Insulator Material – nylon 46, natural color (UL 94 V-O)
- FFC/FPC Thickness – 0.3 ±0.05 mm (0.012 ±0.002")
- Profile Height – 2.00mm



MOUNTING LAYOUT



FFC, FPC SPECIFICATION

	FFC	FPC
P	±0.05	±0.02
W	±0.03	+0.07 -0.05
M	±0.1	±0.05

PART NUMBER	NO. OF CONTACTS	A	B	QTY. PER TRAY
04 6227 004 100 800	4	3.0	7.7	1000
▲ 005 ▲	5	4.0	8.7	1000
006	6	5.0	9.7	1000
007	7	6.0	10.7	1000
008	8	7.0	11.7	1000
009	9	8.0	12.7	1000
010	10	9.0	13.7	1000
011	11	10.0	14.7	1000
012	12	11.0	15.7	1000
013	13	12.0	16.7	1000
014	14	13.0	17.7	1000
015	15	14.0	18.7	1000
016	16	15.0	19.7	1000
017	17	16.0	20.7	1000
018	18	17.0	21.7	1000
▼ 019 ▼	19	18.0	22.7	1000
04 6227 020 100 800	20	19.0	23.7	1000

(Dimensions: mm)

ORDERING CODE

04 6227 OXX 100 800

NUMBER OF CONTACTS (04-20)

TAPE AND REEL

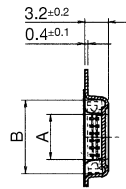
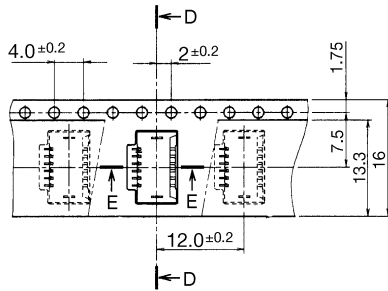
See page 43 for Tape and Reel detail.

1.00mm Pitch

Series 6227



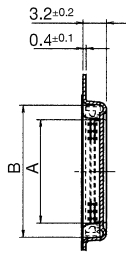
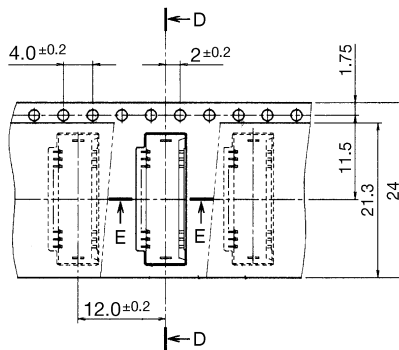
Tape and Reel Specification



SECT. D-D

Tape Width: 16mm

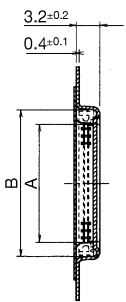
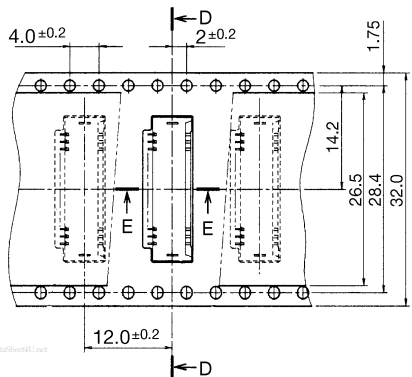
PART NUMBER	NO. OF CONTACTS	A	B	QTY. PER REEL
04 6227 004 100 800	4	4.2	8.1	1000
04 6227 005 100 800	5	5.2	9.1	1000
04 6227 006 100 800	6	6.2	10.1	1000



SECT. D-D

Tape Width: 24mm

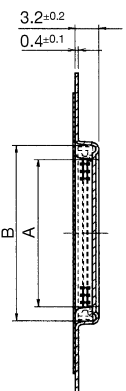
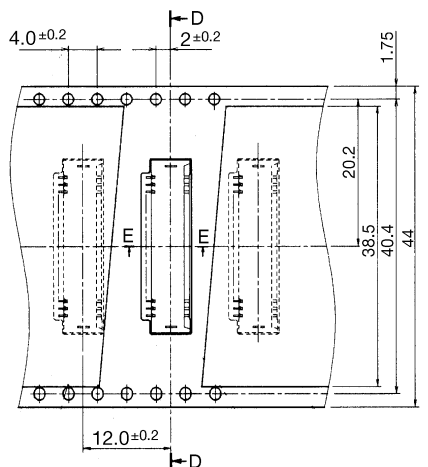
PART NUMBER	NO. OF CONTACTS	A	B	QTY. PER REEL
04 6227 007 100 800	7	7.2	11.1	1000
008	8	8.2	12.1	1000
009	9	9.2	13.1	1000
010	10	10.2	14.1	1000
011	11	11.2	15.1	1000
012	12	12.2	16.1	1000
013	13	13.2	17.1	1000
04 6227 014 100 800	14	14.2	18.1	1000



SECT. D-D

Tape Width: 32mm

PART NUMBER	NO. OF CONTACTS	A	B	QTY. PER REEL
04 6227 015 100 800	15	15.2	19.1	1000
016	16	16.2	20.1	1000
017	17	17.2	21.1	1000
04 6227 018 100 800	18	18.2	22.1	1000

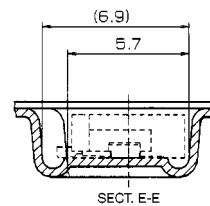


SECT. D-D

Tape Width: 44mm

PART NUMBER	NO. OF CONTACTS	A	B	QTY. PER REEL
04 6227 019 100 800	19	19.2	23.1	1000
04 6227 020 100 800	20	20.2	24.1	1000

(Dimensions: mm)



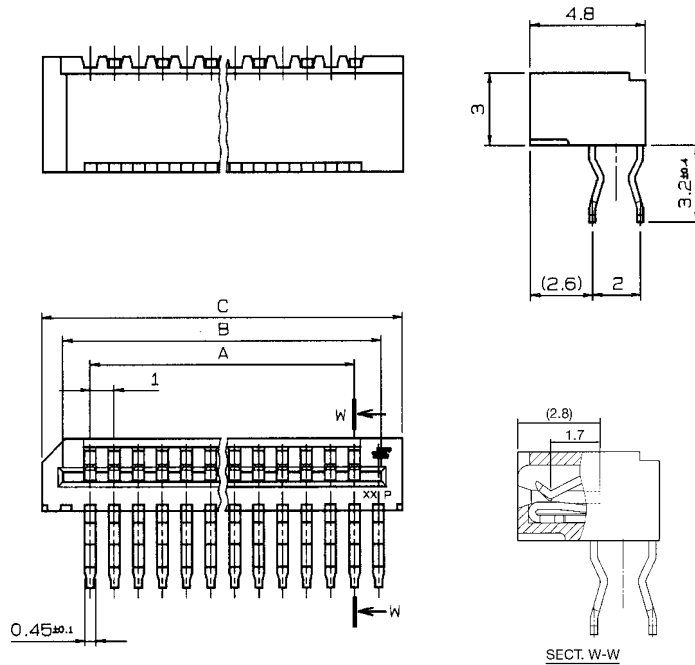
SECT. E-E

1.00mm Pitch

Series 6228

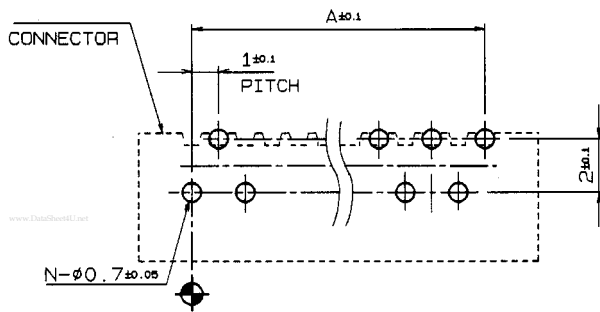


LIF Right Angle Through-Hole (Top Contact)

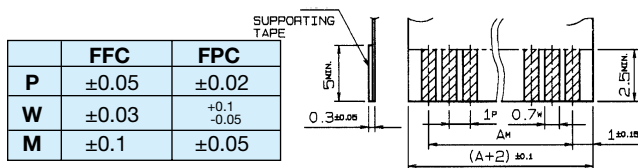


Specifications

- Number of Contacts – 3-22
- Tray Packaged
- Voltage – 50 V
- Current Rating – 0.5 amp max.
- Dielectric Withstanding Voltage – 500V RMS min.
- Operating Temperature – (-20°C - +85°C)
- Contact Material – phosphor bronze (tin-lead plated)
- Insulator Material – 66 nylon, natural color (UL 94 V-O)
- FFC/FPC Thickness – 0.3 ±0.05 mm (0.012 ±0.002")
- PCB Thickness – 1.60mm
- Profile Height – 3.00mm right angle
4.80mm straight



MOUNTING LAYOUT
(t=1.6mm)



FFC, FPC SPECIFICATION

ORDERING CODE

00 6228 0XX 2X1 800

NUMBER OF CONTACTS (03-22)
TRAY PACKAGE

0=TAIL 3.2mm
2=TAIL 2.5mm

PART NUMBER	NO. OF CONTACTS	A	B	C	QTY. PER TRAY
00 6228 003 2X1 800	3	2.0	4.06	6.0	600
004	4	3.0	5.06	7.0	510
005	5	4.0	6.06	8.0	450
006	6	5.0	7.06	9.0	400
007	7	6.0	8.06	10.0	360
008	8	7.0	9.06	11.0	320
009	9	8.0	10.06	12.0	300
010	10	9.0	11.06	13.0	270
011	11	10.0	12.06	14.0	250
012	12	11.0	13.06	15.0	240
013	13	12.0	14.06	16.0	220
014	14	13.0	15.06	17.0	210
015	15	14.0	16.06	18.0	200
016	16	15.0	17.06	19.0	190
017	17	16.0	18.06	20.0	180
018	18	17.0	19.06	21.0	170
019	19	18.0	20.06	22.0	160
020	20	19.0	21.06	23.0	150
021	21	20.0	22.06	24.0	150
00 6228 022 2X1 800	22	21.0	23.06	25.0	140

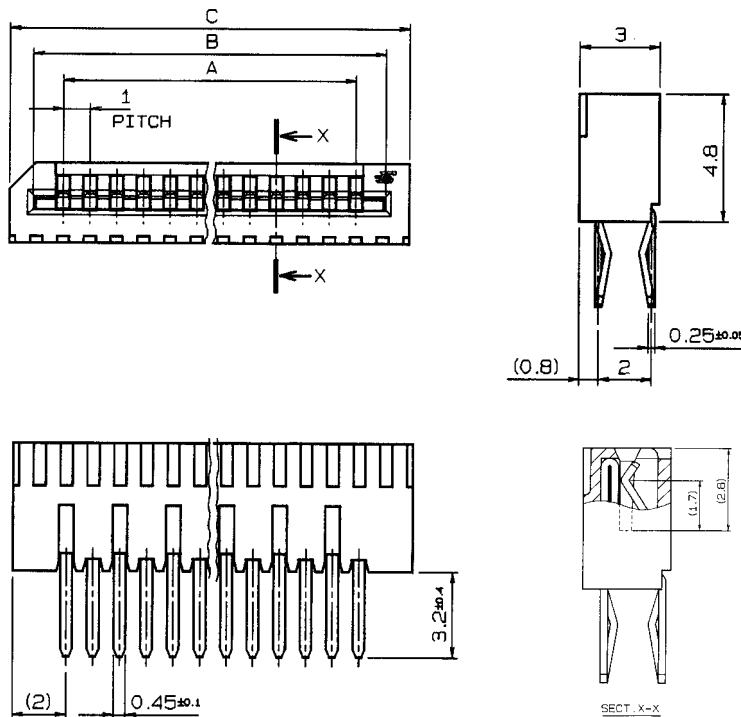
(Dimensions: mm)

1.00mm Pitch

Series 6228

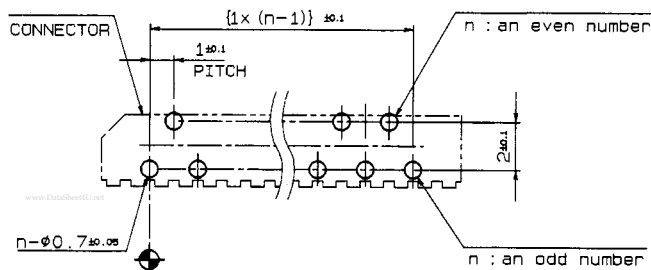


LIF Straight Through-Hole

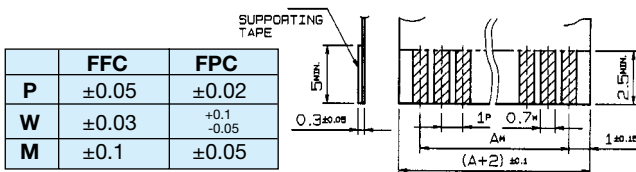


Specifications

- Number of Contacts – 3-22
- Tray Packaged
- Voltage – 50 V
- Current Rating – 0.5 amp max.
- Dielectric Withstanding Voltage – 500V RMS min.
- Operating Temperature – (-20°C - +85°C)
- Contact Material – phosphor bronze (tin-lead plated)
- Insulator Material – 66 nylon, natural color (UL 94 V-O)
- FFC/FPC Thickness – 0.3 ±0.05 mm (0.012 ±0.002")
- PCB Thickness – 1.60mm
- Profile Height – 3.00mm right angle
4.80mm straight



MOUNTING LAYOUT
(t=1.6mm)



FFC, FPC SPECIFICATION

PART NUMBER	NO. OF CONTACTS	A	B	C	QTY. PER TRAY
00 6228 003 1X1 800	3	2.0	4.06	6.0	600
004	4	3.0	5.06	7.0	510
005	5	4.0	6.06	8.0	450
006	6	5.0	7.06	9.0	400
007	7	6.0	8.06	10.0	360
008	8	7.0	9.06	11.0	320
009	9	8.0	10.06	12.0	300
010	10	9.0	11.06	13.0	270
011	11	10.0	12.06	14.0	225
012	12	11.0	13.06	15.0	216
013	13	12.0	14.06	16.0	198
014	14	13.0	15.06	17.0	189
015	15	14.0	16.06	18.0	180
016	16	15.0	17.06	19.0	171
017	17	16.0	18.06	20.0	162
018	18	17.0	19.06	21.0	153
019	19	18.0	20.06	22.0	144
020	20	19.0	21.06	23.0	135
021	21	20.0	22.06	24.0	135
00 6228 022 1X1 800	22	21.0	23.06	25.0	126

(Dimensions: mm)

ORDERING CODE

00 6228 0XX 1X1 800

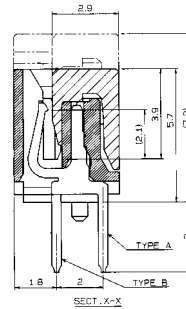
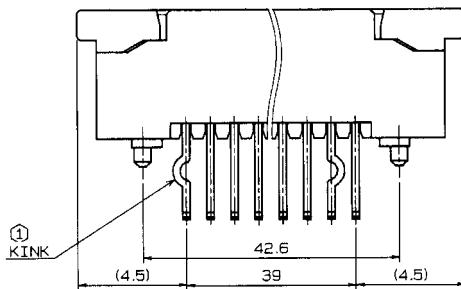
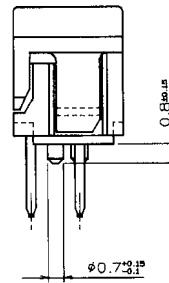
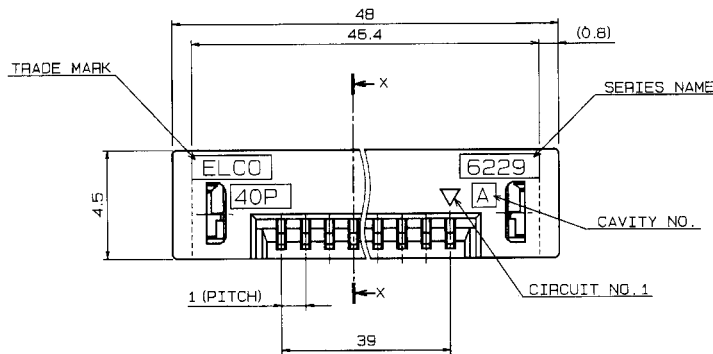
NUMBER OF CONTACTS (03-22)
 0=TAIL 3.2mm
 2=TAIL 2.5mm

1.00mm Pitch

Series 6229

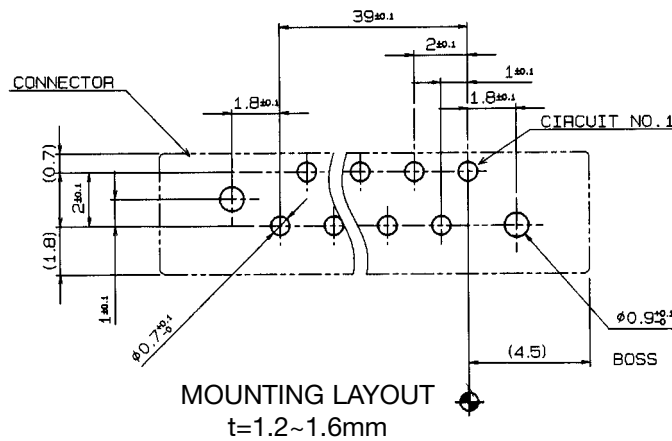


ZIF Straight Through-Hole

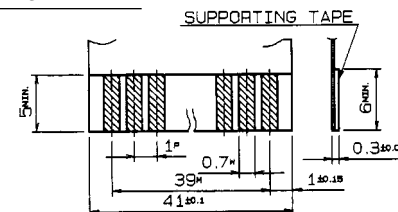


Specifications

- Number of Contacts – 40
- Tray Packaged
- Voltage – 50 V
- Current Rating – 1.0 amp max.
- Dielectric Withstanding Voltage – 500V RMS min.
- Operating Temperature – (-40°C - +85°C)
- Contact Material – phosphor bronze (tin-lead plated)
- Slider Material – PPS, natural color (UL 94 V-O)
- Insulator Material – PPS, black color (UL 94 V-O)
- FFC/FPC Thickness – 0.3 ±0.05 mm (0.012 ±0.002")
- Profile Height – 5.7mm



	FFC	FPC
P	±0.05	±0.02
W	±0.03	+0.07 -0.05
M	±0.1	±0.05



FFC, FPC SPECIFICATION

ORDERING CODE
00 6229 640 003 800

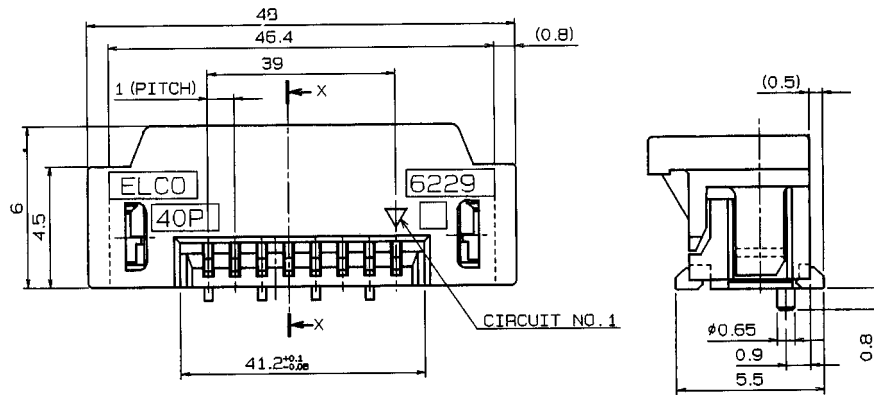
— NUMBER OF CONTACTS (40 position only)
— TRAY PACKAGE (70 per tray)

1.00mm Pitch

Series 6229

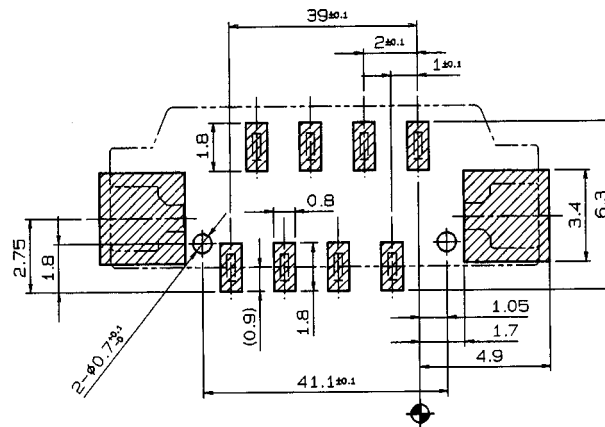
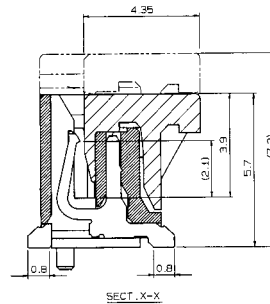
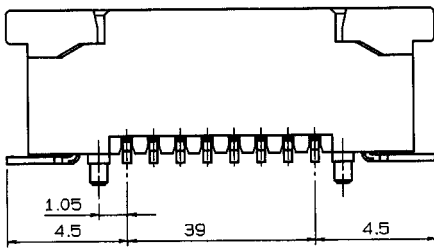


ZIF Straight SMT



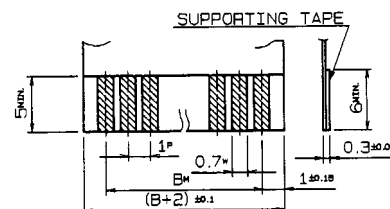
Specifications

- Number of Contacts – 40
- Tray Packaged
- Voltage – 50 V
- Current Rating – 1.0 amp max.
- Dielectric Withstanding Voltage – 500V RMS min.
- Operating Temperature – (-40°C - +85°C)
- Contact Material – phosphor bronze (tin-lead plated)
- Slider Material – PPS, natural color (UL 94 V-O)
- Insulator Material – PPS, black color (UL 94 V-O)
- FFC/FPC Thickness – 0.3 ±0.05 mm (0.012 ±0.002")
- Profile Height – 5.7mm



MOUNTING LAYOUT

	FFC	FPC
P	±0.05	±0.02
W	±0.03	+0.07 -0.05
M	±0.1	±0.05



FFC, FPC SPECIFICATION

ORDERING CODE

00 6229 040 00X 800

NUMBER OF CONTACTS (40 position only)
TRAY PACKAGE (70 per tray)

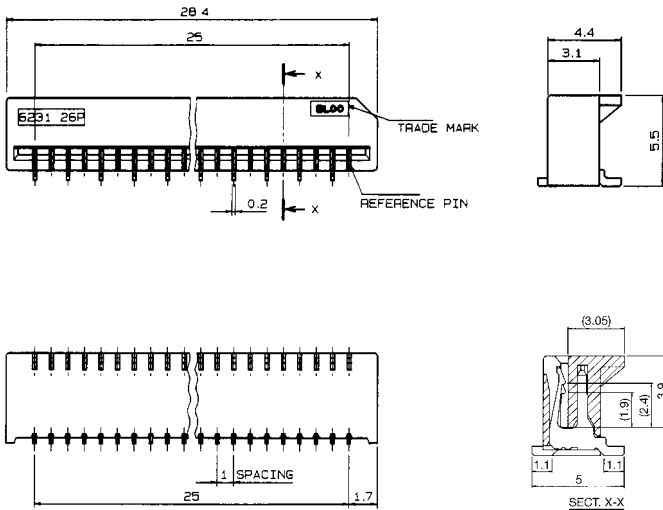
VARIATION CODE
1: WITHOUT BOSS
2: WITH BOSS

1.00mm Pitch

Series 6231

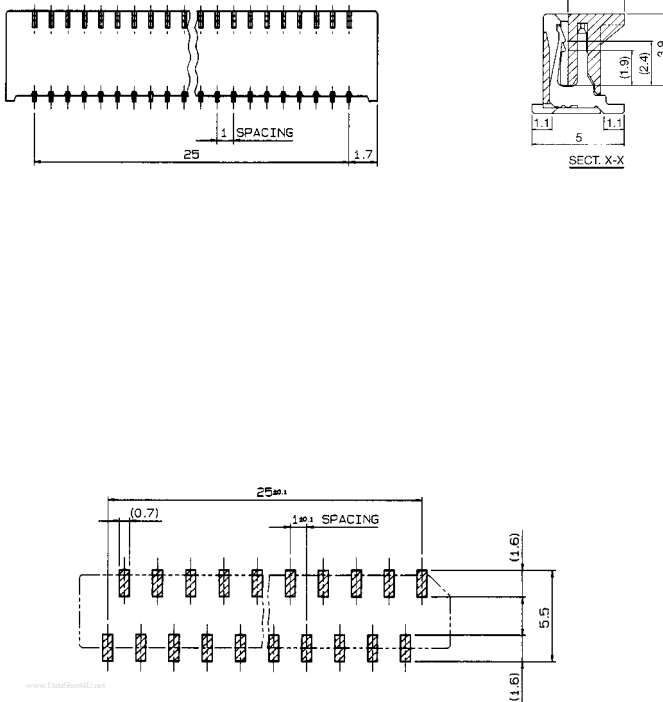


LIF Straight SMT

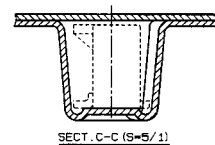
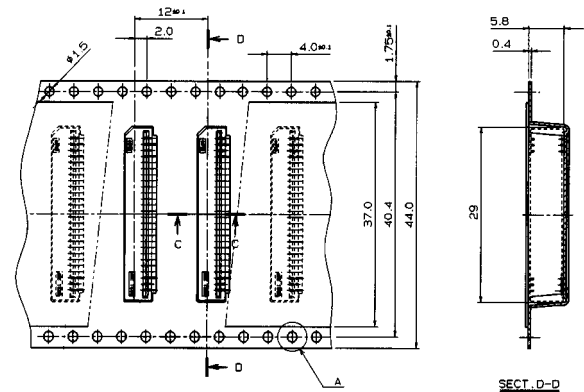


Specifications

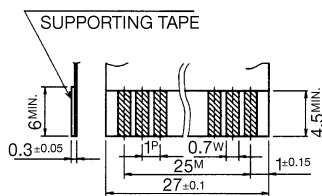
- Number of Contacts – 26
- 1000 Connectors per Tape & Reel
- Voltage – 50 V
- Current Rating – 1.0 amp max.
- Dielectric Withstanding Voltage – 500V RMS min.
- Operating Temperature – (-20°C - +85°C)
- Contact Material – phosphor bronze (tin-lead plated)
- Insulator Material – glass-filled PPS (UL 94 V-O) natural color
- FFC/FPC Thickness – 0.3 ±0.05 mm (0.012 ±0.002")
- Profile Height – 5.50mm



MOUNTING LAYOUT (CONN. MOUNTING SIDE)



	FFC	FPC
P	±0.05	±0.02
W	±0.03	+0.07 -0.05
M	±0.1	±0.05



FFC, FPC SPECIFICATION

ORDERING CODE

04 6231 026 000 800

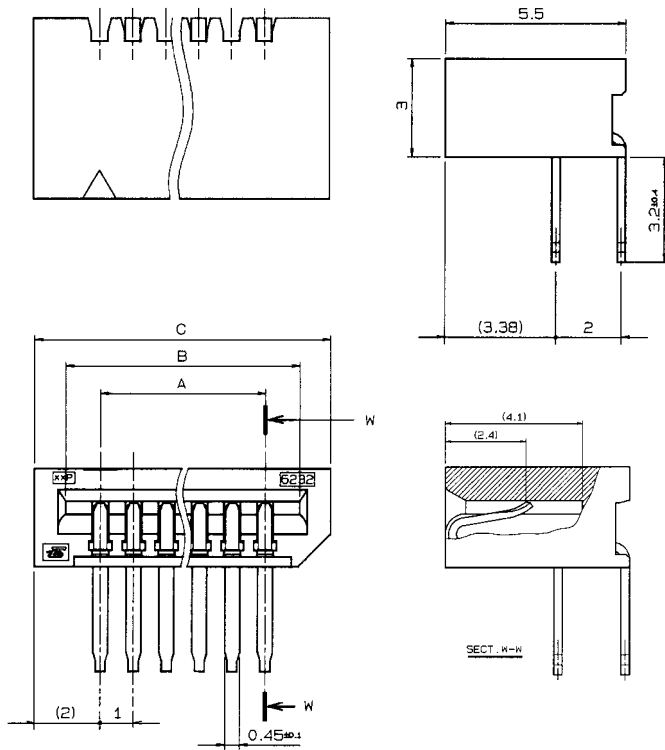
— TAPE AND REEL PACKAGE — NUMBER OF CONTACTS (26 position only)

1.00mm Pitch

Series 6232

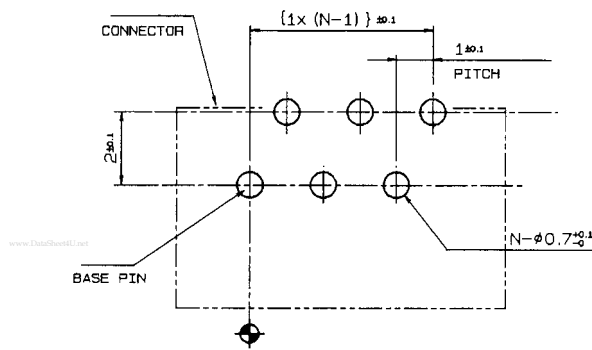


LIF Right Angle Through-Hole (Bottom Contact)

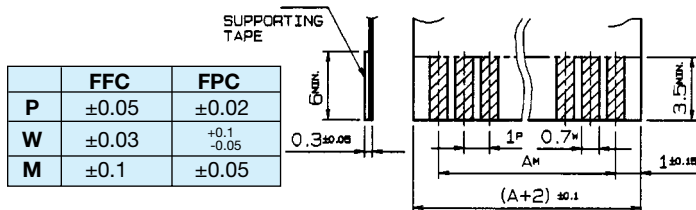


Specifications

- Number of Contacts – 3-30
- Tray Packaged or SMT Tape and Reel
- Voltage – 50 V
- Current Rating – 0.50 amp max.
- Dielectric Withstanding Voltage – 500V RMS min.
- Operating Temperature – (-20°C - +70°C)
- Contact Material – phosphor bronze (tin-lead plated)
- Insulator Material – glass filled PPS or Nylon
- FFC/FPC Thickness – 0.3 ±0.05 mm (0.012 ±0.002")
- Profile Height – 3.0mm – 5.1mm (see sketch)



MOUNTING LAYOUT



FFC, FPC SPECIFICATION

ORDERING CODE

00 6232 OXX 104 800

TRAY PACKAGE NUMBER OF CONTACTS (03-30)

PART NUMBER	NO. OF CONTACTS	A	B	C	QTY. PER TRAY
00 6232 003 104 800	3	2.0	4.12	6.0	600
004	4	3.0	5.12	7.0	510
005	5	4.0	6.12	8.0	450
006	6	5.0	7.12	9.0	400
007	7	6.0	8.12	10.0	360
008	8	7.0	9.12	11.0	320
009	9	8.0	10.12	12.0	300
010	10	9.0	11.12	13.0	270
011	11	10.0	12.12	14.0	250
012	12	11.0	13.12	15.0	240
013	13	12.0	14.12	16.0	220
014	14	13.0	15.12	17.0	210
015	15	14.0	16.12	18.0	200
016	16	15.0	17.12	19.0	190
017	17	16.0	18.12	20.0	180
018	18	17.0	19.12	21.0	170
019	19	18.0	20.12	22.0	160
020	20	19.0	21.12	23.0	150
021	21	20.0	22.12	24.0	150
022	22	21.0	23.12	25.0	140
023	23	22.0	24.12	26.0	130
024	24	23.0	25.12	27.0	130
025	25	24.0	26.12	28.0	120
026	26	25.0	27.12	29.0	120
027	27	26.0	28.12	30.0	120
028	28	27.0	29.12	31.0	110
029	29	28.0	30.12	32.0	110
00 6232 030 104 800	30	29.0	31.12	33.0	100

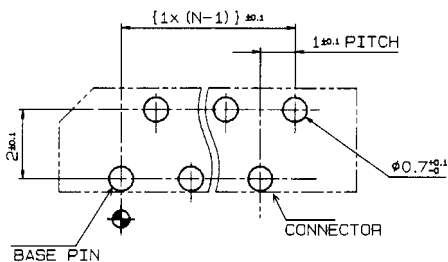
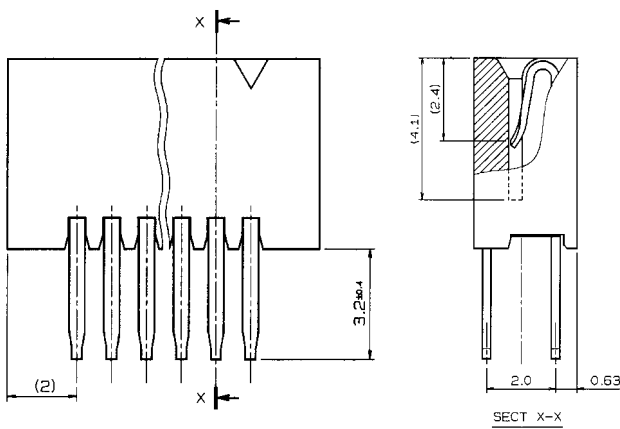
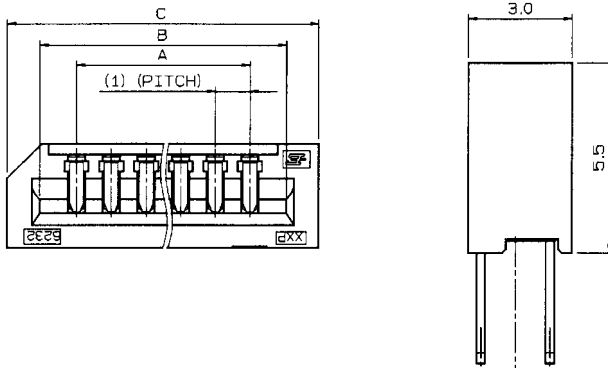
(Dimensions: mm)

1.00mm Pitch

Series 6232

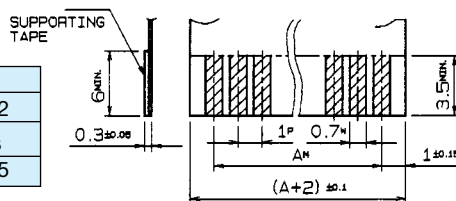


LIF Straight Through-Hole



MOUNTING LAYOUT (t=1.2~1.6)

	FFC	FPC
P	±0.05	±0.02
W	±0.03	+0.1 -0.05
M	±0.1	±0.05



FFC, FPC SPECIFICATION

PART NUMBER	NO. OF CONTACTS	A	B	C	QTY. PER TRAY
00 6232 003 XXX 800	3	2.0	4.1	6.0	600
004	4	3.0	5.1	7.0	510
005	5	4.0	6.1	8.0	450
006	6	5.0	7.1	9.0	400
007	7	6.0	8.1	10.0	360
008	8	7.0	9.1	11.0	330
009	9	8.0	10.1	12.0	300
010	10	9.0	11.1	13.0	270
011	11	10.0	12.1	14.0	250
012	12	11.0	13.1	15.0	240
013	13	12.0	14.1	16.0	220
014	14	13.0	15.1	17.0	210
015	15	14.0	16.1	18.0	200
016	16	15.0	17.1	19.0	190
017	17	16.0	18.1	20.0	180
018	18	17.0	19.1	21.0	170
019	19	18.0	20.1	22.0	160
020	20	19.0	21.1	23.0	150
021	21	20.0	22.1	24.0	150
022	22	21.0	23.1	25.0	140
023	23	22.0	24.1	26.0	130
024	24	23.0	25.1	27.0	130
025	25	24.0	26.1	28.0	120
026	26	25.0	27.1	29.0	120
027	27	26.0	28.1	30.0	120
028	28	27.0	29.1	31.0	110
029	29	28.0	30.1	32.0	110
00 6232 030 XXX 800	30	29.0	31.1	33.0	110

(Dimensions: mm)

ORDERING CODE

00 6232 OXX XXX 800

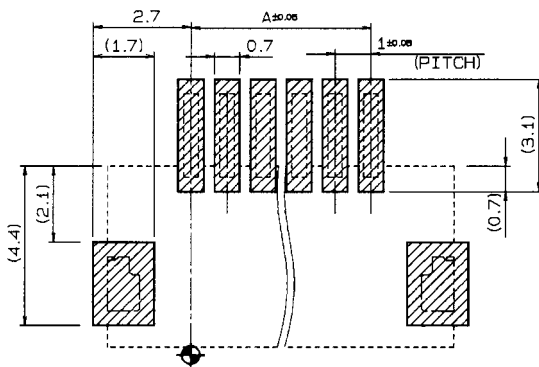
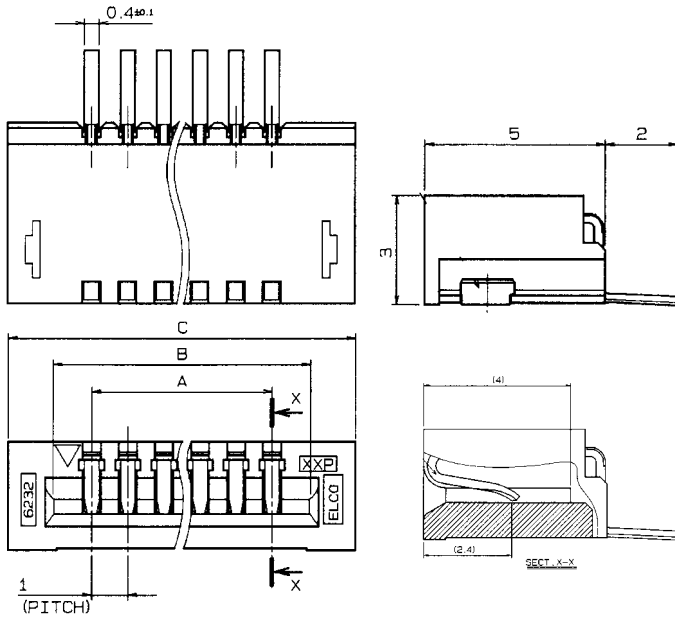
NUMBER OF CONTACTS (03-30)
 TRAY PACKAGE
 VARIATION CODE
 006: WITH KINKED LEGS
 007: WITHOUT KINKED LEGS

1.00mm Pitch

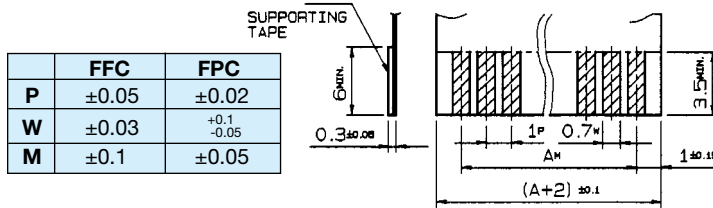
Series 6232



LIF Right Angle SMT (Top Contact)



MOUNTING LAYOUT (CONN. MOUNTING SIDE)



	FFC	FPC
P	±0.05	±0.02
W	±0.03	+0.1 -0.05
M	±0.1	±0.05

FFC, FPC SPECIFICATION

PART NUMBER	NO. OF CONTACTS	A	B	C	QTY. PER TRAY
XX 6232 103 103 800	3	2.0	4.1	6.6	600
↑ 104	↑ 4	3.0	5.1	7.6	510
105	5	4.0	6.1	8.6	450
106	6	5.0	7.1	9.6	400
107	7	6.0	8.1	10.6	360
108	8	7.0	9.1	11.6	330
109	9	8.0	10.1	12.6	300
110	10	9.0	11.1	13.6	270
111	11	10.0	12.1	14.6	250
112	12	11.0	13.1	15.6	240
113	13	12.0	14.1	16.6	220
114	14	13.0	15.1	17.6	210
115	15	14.0	16.1	18.6	200
116	16	15.0	17.1	19.6	190
117	17	16.0	18.1	20.6	180
118	18	17.0	19.1	21.6	170
119	19	18.0	20.1	22.6	160
120	20	19.0	21.1	23.6	150
121	21	20.0	22.1	24.6	150
122	22	21.0	23.1	25.6	140
123	23	22.0	24.1	26.6	130
124	24	23.0	25.1	27.6	130
125	25	24.0	26.1	28.6	120
126	26	25.0	27.1	29.6	120
127	27	26.0	28.1	30.6	120
128	28	27.0	29.1	31.6	110
129	29	28.0	30.1	32.6	110
XX 6232 130 103 800	30	29.0	31.1	33.6	110

(Dimensions: mm)

ORDERING CODE

XX 6232 1XX 103 800

NUMBER OF CONTACTS (03-30)

00:TRAY PACKAGE
04:TAPE AND REEL

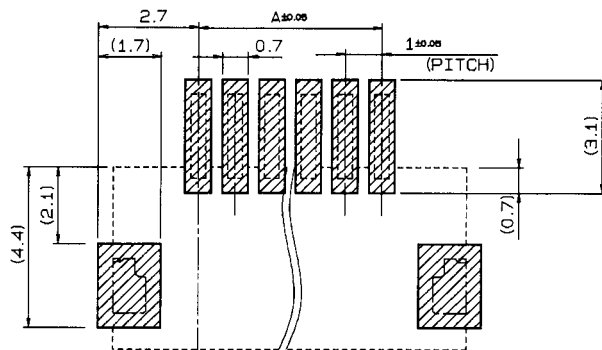
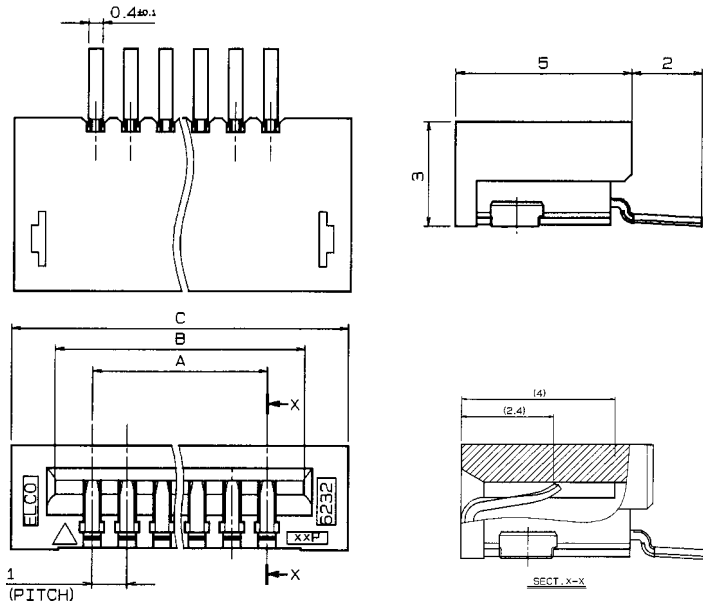
See page 53 for Tape and Reel detail.

1.00mm Pitch

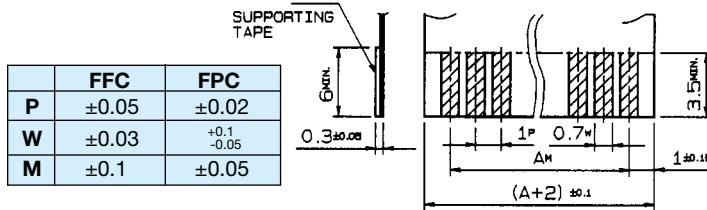
Series 6232



LIF Right Angle SMT (Bottom Contact)



MOUNTING LAYOUT



	FFC	FPC
P	±0.05	±0.02
W	±0.03	+0.1 -0.05
M	±0.1	±0.05

FFC, FPC SPECIFICATION

PART NUMBER	NO. OF CONTACTS	A	B	C	QTY. PER TRAY
XX 6232 103 102 800	3	2.0	4.1	6.6	600
104	4	3.0	5.1	7.6	510
105	5	4.0	6.1	8.6	450
106	6	5.0	7.1	9.6	400
107	7	6.0	8.1	10.6	360
108	8	7.0	9.1	11.6	330
109	9	8.0	10.1	12.6	300
110	10	9.0	11.1	13.6	270
111	11	10.0	12.1	14.6	250
112	12	11.0	13.1	15.6	240
113	13	12.0	14.1	16.6	220
114	14	13.0	15.1	17.6	210
115	15	14.0	16.1	18.6	200
116	16	15.0	17.1	19.6	190
117	17	16.0	18.1	20.6	180
118	18	17.0	19.1	21.6	170
119	19	18.0	20.1	22.6	160
120	20	19.0	21.1	23.6	150
121	21	20.0	22.1	24.6	150
122	22	21.0	23.1	25.6	140
123	23	22.0	24.1	26.6	130
124	24	23.0	25.1	27.6	130
125	25	24.0	26.1	28.6	120
126	26	25.0	27.1	29.6	120
127	27	26.0	28.1	30.6	120
128	28	27.0	29.1	31.6	110
129	29	28.0	30.1	32.6	110
XX 6232 130 102 800	30	29.0	31.1	33.6	110

(Dimensions: mm)

ORDERING CODE

XX 6232 1XX 102 800

NUMBER OF CONTACTS (03-30)

00: TRAY PACKAGE
04: TAPE AND REEL

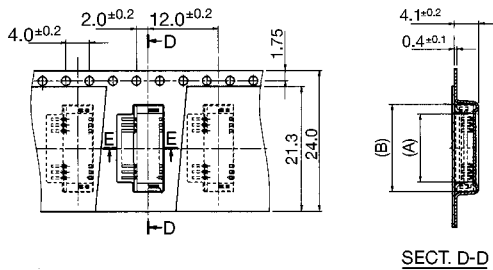
See page 53 for Tape and Reel detail.

1.00mm Pitch

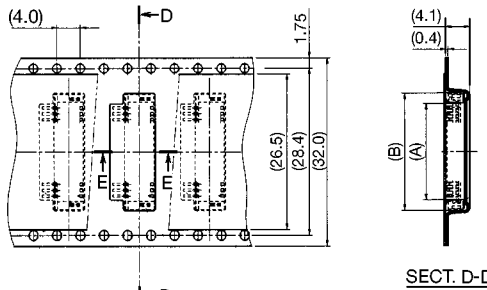
Series 6232



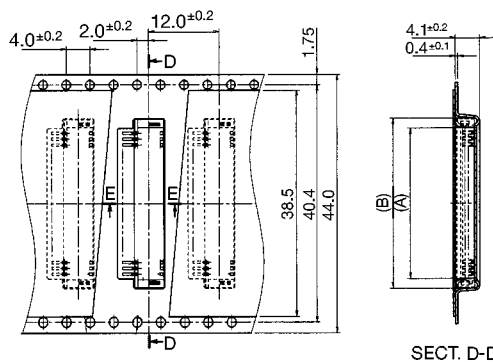
Tape and Reel Specification



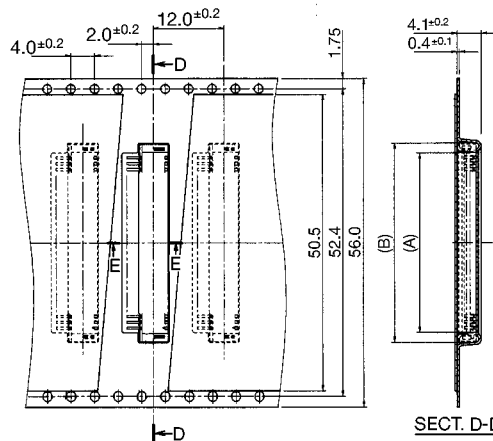
SECT. D-D



SECT. D-D



SECT. D-D



SECT. D-D

Tape Width: 24mm

PART NUMBER	NO. OF CONTACTS	A	B	QTY. PER REEL
04 6232 103 10X 800	3	3.6	6.9	1000
↑ 104	4	4.6	7.9	1000
↑ 105	5	5.6	8.9	1000
↑ 106	6	6.6	9.9	1000
↑ 107	7	7.6	10.9	1000
↑ 108	8	8.6	11.9	1000
↓ 109	9	9.6	12.9	1000
↓ 110	10	10.6	13.9	1000
00 6232 111 10X 800	11	11.6	14.9	1000

Tape Width: 32mm

PART NUMBER	NO. OF CONTACTS	A	B	QTY. PER REEL
04 6232 112 10X 800	12	12.6	15.9	1000
↑ 113	13	13.6	16.9	1000
↑ 114	14	14.6	17.9	1000
↑ 115	15	15.6	18.9	1000
↓ 116	16	16.6	19.9	1000
↓ 117	17	17.6	20.9	1000
00 6232 118 10X 800	18	18.6	21.9	1000

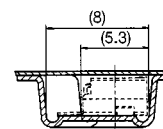
Tape Width: 44mm

PART NUMBER	NO. OF CONTACTS	A	B	QTY. PER REEL
04 6232 119 10X 800	19	19.6	22.9	1000
↑ 120	20	20.6	23.9	1000
↑ 121	21	21.6	24.9	1000
↑ 122	22	22.6	25.9	1000
↓ 123	23	23.6	26.9	1000
↓ 124	24	24.6	27.9	1000
00 6232 125 10X 800	25	25.6	28.9	1000

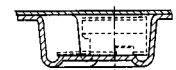
Tape Width: 56mm

PART NUMBER	NO. OF CONTACTS	A	B	QTY. PER REEL
04 6232 126 10X 800	26	26.6	29.9	1000
↑ 127	27	27.6	30.9	1000
↑ 128	28	28.6	31.9	1000
↓ 129	29	29.6	32.9	1000
00 6232 130 10X 800	30	30.6	33.9	1000

(Dimensions: mm)



TOP CONTACT TYPE



BOTTOM CONTACT TYPE

SECT. E-E

ORDERING CODE

04 6232 1XX 10X 800

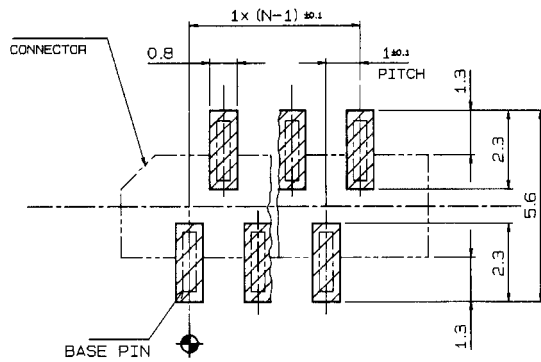
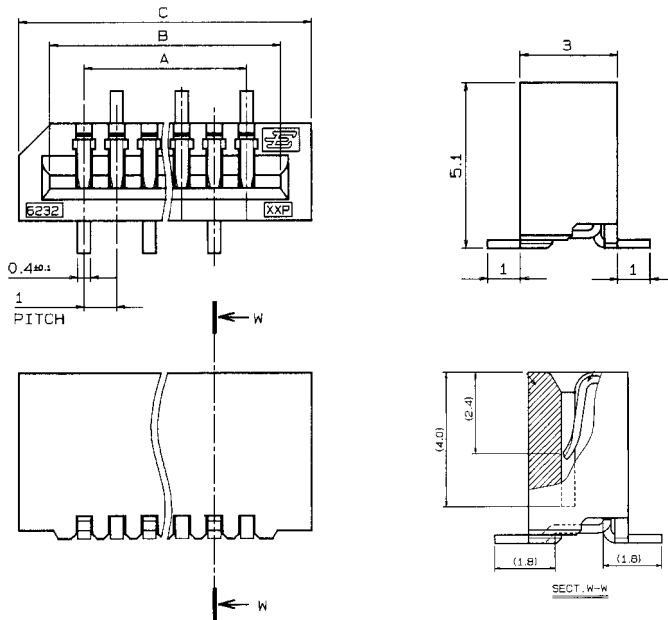
NUMBER OF CONTACTS (03-30) VARIATION CODE
 2: BOTTOM CONTACT TYPE WITHOUT BOSS
 3: TOP CONTACT TYPE WITHOUT BOSS
 TAPE AND REEL

1.00mm Pitch

Series 6232

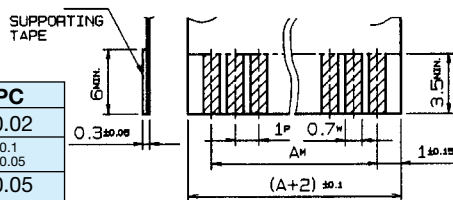


LIF Straight SMT



MOUNTING LAYOUT

	FFC	FPC
P	±0.05	±0.02
W	±0.03	+0.1 -0.05
M	±0.1	±0.05



FFC, FPC SPECIFICATION

PART NUMBER	NO. OF CONTACTS	A	B	C	QTY. PER TRAY
XX 6232 103 006 800	3	2.0	4.1	6.0	540
104	4	3.0	5.1	7.0	470
105	5	4.0	6.1	8.0	420
106	6	5.0	7.1	9.0	370
107	7	6.0	8.1	10.0	340
108	8	7.0	9.1	11.0	310
109	9	8.0	10.1	12.0	280
110	10	9.0	11.1	13.0	260
111	11	10.0	12.1	14.0	240
112	12	11.0	13.1	15.0	230
113	13	12.0	14.1	16.0	210
114	14	13.0	15.1	17.0	200
115	15	14.0	16.1	18.0	190
116	16	15.0	17.1	19.0	180
117	17	16.0	18.1	20.0	170
118	18	17.0	19.1	21.0	160
119	19	18.0	20.1	22.0	160
120	20	19.0	21.1	23.0	150
121	21	20.0	22.1	24.0	140
122	22	21.0	23.1	25.0	140
123	23	22.0	24.1	26.0	130
124	24	23.0	25.1	27.0	130
125	25	24.0	26.1	28.0	120
126	26	25.0	27.1	29.0	120
127	27	26.0	28.1	30.0	110
128	28	27.0	29.1	31.0	110
129	29	28.0	30.1	32.0	110
XX 6232 130 006 800	30	29.0	31.1	33.0	110

(Dimensions: mm)

ORDERING CODE

XX 6232 1XX 006 800

NUMBER OF CONTACTS
(03-30)

00: TRAY PACKAGE
04: TAPE AND REEL

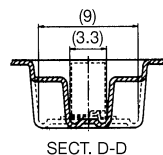
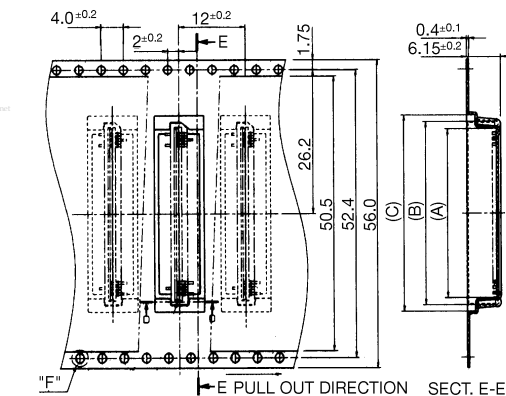
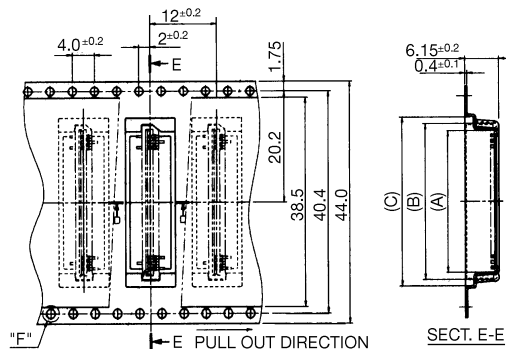
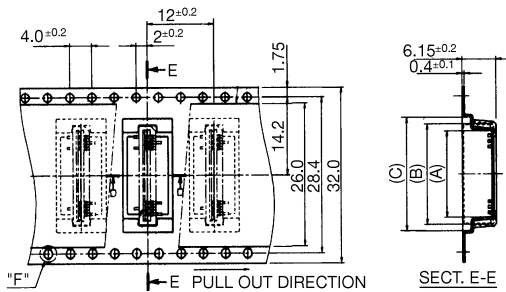
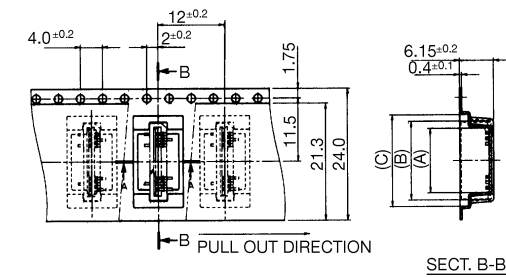
See page 55 for Tape and Reel ordering information.

1.00mm Pitch

Series 6232



Tape and Reel Specification



Tape Width: 24mm

PART NUMBER	NO. OF CONTACTS	A	B	C	QTY. PER REEL
04 6232 103 015 800	3	3.7	6.3	8.7	900
↑ 104 ↑	4	4.7	7.3	9.7	900
105	5	5.7	8.3	10.7	900
106	6	6.7	9.3	11.7	900
107	7	7.7	10.3	12.7	900
108	8	8.7	11.3	13.7	900
109	9	9.7	12.3	14.7	900
↓ 110 ↓	10	10.7	13.3	15.7	900
04 6232 111 015 800	11	11.7	14.3	16.7	900

Tape Width: 32mm

PART NUMBER	NO. OF CONTACTS	A	B	C	QTY. PER REEL
04 6232 112 015 800	12	12.7	15.3	17.7	900
↑ 113 ↑	13	13.7	16.3	18.7	900
114	14	14.7	17.3	19.7	900
115	15	15.7	18.3	20.7	900
116	16	16.7	19.3	21.7	900
117	17	17.7	20.3	22.7	900
04 6232 118 015 800	18	18.7	21.3	23.7	900

Tape Width: 44mm

PART NUMBER	NO. OF CONTACTS	A	B	C	QTY. PER REEL
04 6232 119 015 800	19	19.7	22.3	24.7	900
↑ 120 ↑	20	20.7	23.3	25.7	900
121	21	21.7	24.3	26.7	900
122	22	22.7	25.3	27.7	900
123	23	23.7	26.3	28.7	900
124	24	24.7	27.3	29.7	900
04 6232 125 015 800	25	25.7	28.3	30.7	900

Tape Width: 56mm

PART NUMBER	NO. OF CONTACTS	A	B	C	QTY. PER REEL
04 6232 126 015 800	26	26.7	29.3	31.7	900
↑ 127 ↑	27	27.7	30.3	32.7	900
128	28	28.7	31.3	33.7	900
129	29	29.7	32.3	34.7	900
04 6232 130 015 800	30	30.7	33.3	35.7	900

(Dimensions: mm)

ORDERING CODE

04 6232 1XX 015 800

NUMBER OF CONTACTS (03-30) VARIATION CODE FOR 00-6232-1XX-006-800 ON TAPE AND REEL
TAPE AND REEL

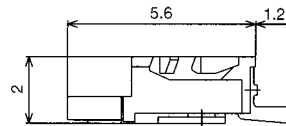
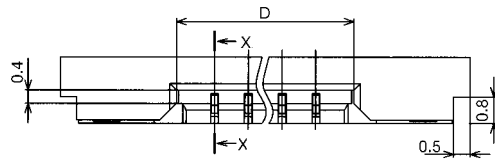
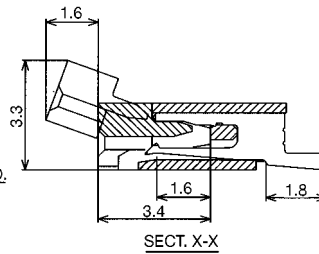
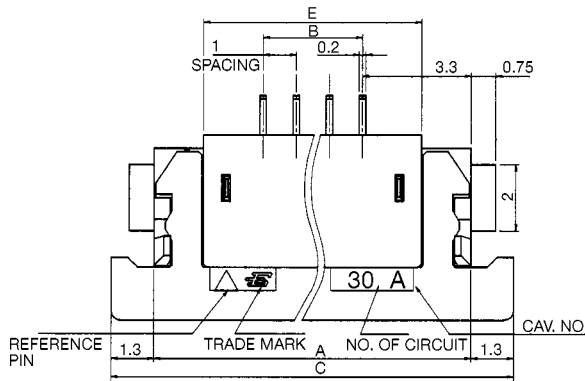
Above part numbers are Tape and Reel packaging of '006' variation.

1.00mm Pitch

Series 6237

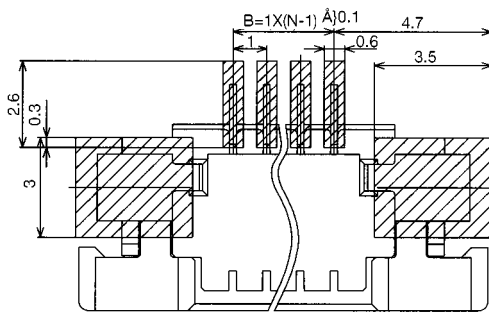


ZIF Right Angle SMT (Bottom Contact)

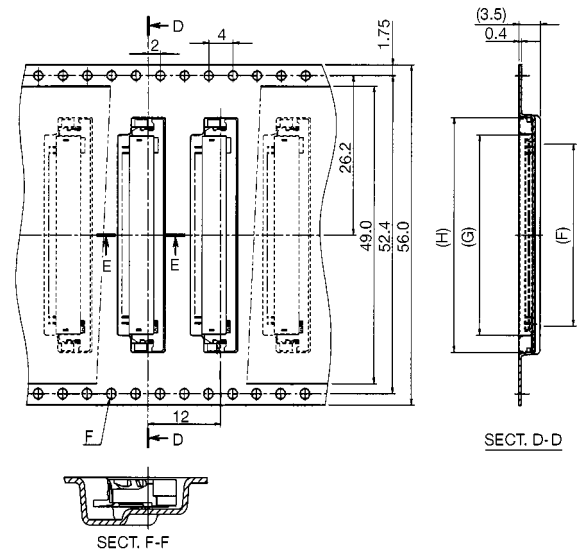


Specifications

- Number of Contacts – 30
- 1000 Connectors per Tape & Reel
- Voltage – 50 V
- Current Rating – 0.4 amp max.
- Dielectric Withstanding Voltage – 200V RMS min.
- Operating Temperature – (-40°C - +85°C)
- Contact & Metal Tab Material – phosphor bronze (tin-lead plated)
- Slider Material – PPS, natural color (UL 94 V-O)
- Insulator Material – PPS, natural color (UL 94 V-O)
- FFC/FPC Thickness – 0.3 ±0.05 mm (0.012 ±0.002")
- Profile Height – 2.00mm



MOUNTING LAYOUT



	FFC	FPC
P	±0.05	±0.02
W	±0.03	+0.07 -0.05
M	±0.1	±0.05

FFC, FPC SPECIFICATION

PART NUMBER	NO. OF CONTACTS	A	B	C	D	E	F	G	H	QTY. PER REEL
04 6237 030 000 800	30	35.6	29.0	38.2	31.2	32.6	30.0	33.0	38.6	1000

ORDERING CODE

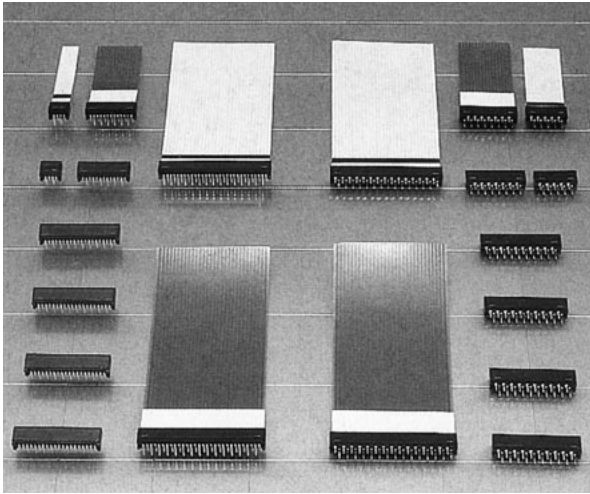
04 6237 030 000 800

— NUMBER OF CONTACTS (30 position only)
— TAPE AND REEL PACKAGE

1.25mm Pitch



Product Selector Guide



SMT					
Straight			Right Angle		
ZIF		LIF	ZIF		LIF
		6207			6207
THROUGH-HOLE					
Straight		Right Angle		Bottom Entry	Straight
ZIF		LIF	ZIF		LIF
6205		6216 8370			6216 8370
				6203	5062

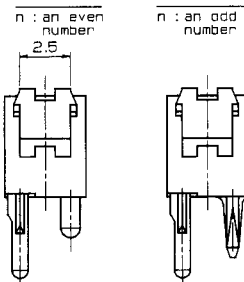
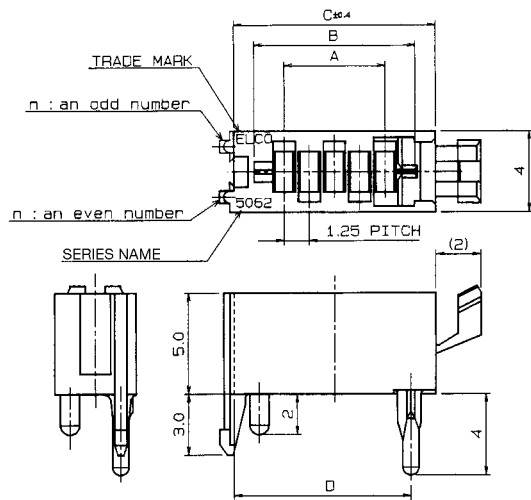
SERIES	5062	6203	6205	6207		6216			8370	
Style	LIF R/A Straight Direct	LIF R/A Through- Hole Bottom Entry	ZIF Straight Through- Hole	LIF R/A SMT	LIF Straight SMT	LIF R/A Through- Hole	LIF R/A Through- Hole	LIF Straight Through- Hole	LIF R/A Through- Hole	LIF Straight Through- Hole
Contact	*	Single	Single	Dual	Dual	Top	Bottom	Single	Dual	Dual
Height	5.00mm	5.50mm	8.90mm	3.50mm	7.00mm	4.20mm	4.20mm	7.00mm	4.20mm	7.20mm
Number of Contacts	5.00mm	5-15	8-40	5-20	5-20	4-40	4-30	4-40	4-30	4-30
Current Rating	1.0A Max.	1.0A Max.	1.0A Max.	1.0A Max.	1.0A Max.	1.0A Max.	1.0A Max.	1.0A Max.	1.0A Max.	1.0A Max.
Voltage Rating	125V Max.	125V Max.	125V Max.	125V Max.	125V Max.	200V Max.	200V Max.	200V Max.	125V Max.	125V Max.
Dielectric Withstanding Voltage	500Vrms	500Vrms	500Vrms	500Vrms	500Vrms	500Vrms	500Vrms	500Vrms	500Vrms	500Vrms
Contact Material	Phosphor Bronze, Tin-Plated									
Insulator Material	Glass-filled PBT	Glass-filled Nylon	Glass-filled PBT	Glass-filled PPS	Glass-filled PPS	Glass-filled PBT	Glass-filled PBT	Glass-filled PBT	Glass-filled PBT	Glass-filled PBT
FFC/FPC Thickness	*	0.3±0.05mm	0.3±0.05mm	0.3±0.05mm	0.3±0.05mm	0.3±0.05mm	0.3±0.05mm	0.3±0.05mm	0.3±0.05mm	0.3±0.05mm
Page	58	59	60	61 - 62		63 - 67			68 - 69	

1.25mm Pitch

Series 5062

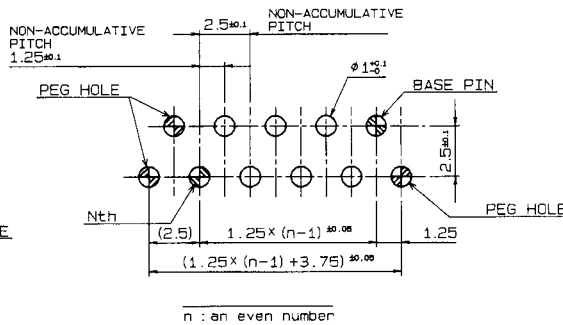
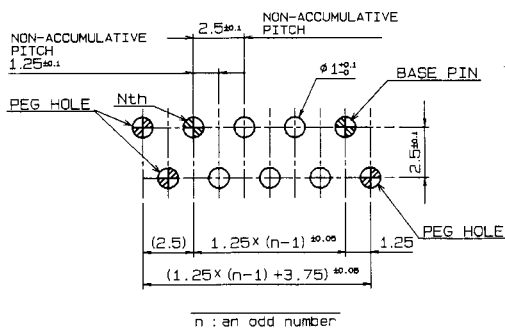


LIF Straight Direct Solder

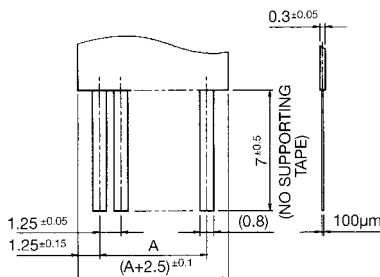
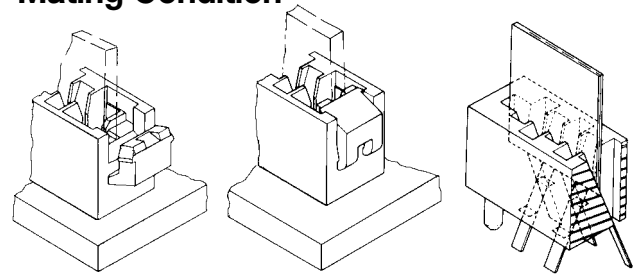


Specifications

- Number of Contacts – 5-23
- Vinyl Bag Packaged
- Voltage – 125 V
- Current Rating – 1.0 amp max.
- Dielectric Withstanding Voltage – 500V RMS min.
- Operating Temperature – (-40°C - +85°C)
- Insulator Material – PBT, natural color (UL 94 V-O)
- FFC/FPC Thickness – 0.3 ±0.05 mm (0.012 ±0.002")
- PCB Thickness – 1.6mm (0.633")
- Profile Height – 5.0mm (0.197")



Mating Condition



FFC, FPC SPECIFICATION

ORDERING CODE

00 5062 30 10 XX 000

00:=-BULK PACKAGE
NUMBER OF CONTACTS (05-23)

PART NUMBER	NO. OF CONTACTS	A	B	C	D	QTY. PER PACK
00 5062 30 10 05 000	5	5.00	7.98	10.00	8.75	1000
06	6	6.25	9.23	11.25	10.00	1000
07	7	7.50	10.48	12.50	11.25	1000
08	8	8.75	11.73	13.75	12.50	1000
09	9	10.00	12.98	15.00	13.75	1000
10	10	11.25	14.23	16.25	15.00	1000
11	11	12.50	15.48	17.50	16.25	1000
12	12	13.75	16.73	18.75	17.50	1000
13	13	15.00	17.98	20.00	18.75	1000
14	14	16.25	19.23	21.25	20.00	1000
15	15	17.50	20.48	22.50	21.25	500
16	16	18.75	21.73	23.75	22.50	500
17	17	20.00	22.98	25.00	23.75	500
18	18	21.25	24.23	26.25	25.00	500
19	19	22.50	25.48	27.50	26.25	500
20	20	23.75	26.73	28.75	27.50	500
21	21	25.00	27.98	30.00	28.75	500
22	22	26.25	29.23	31.25	30.00	500
00 5062 30 10 23 000	23	27.50	30.48	32.50	31.25	500

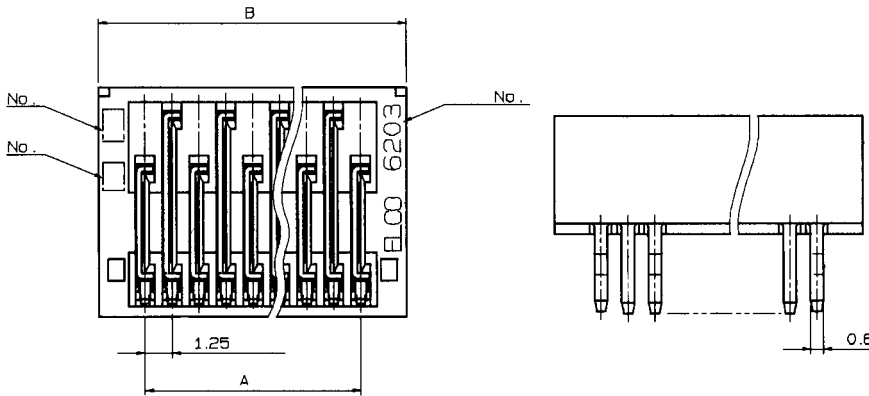
(Dimensions: mm)

1.25mm Pitch

Series 6203

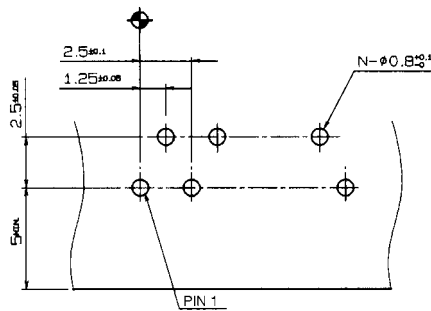
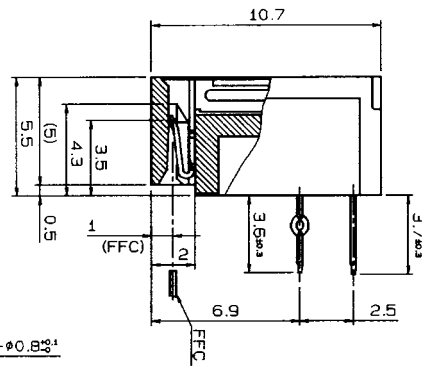


LIF Right Angle Through-Hole (Bottom Entry)

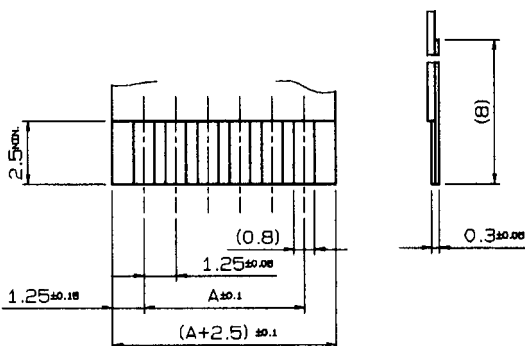


Specifications

- Number of Contacts – 5-15
- Tray Packaged
- Voltage – 125 V
- Current Rating – 1.0 amp max.
- Dielectric Withstanding Voltage – 500V RMS min.
- Operating Temperature – (-40°C - +85°C)
- Contact Material – phosphor bronze (tin-lead plated)
- Insulator Material – glass-filled nylon (UL 94 V-O)
- FFC/FPC Thickness – 0.3 ±0.05 mm (0.012 ±0.002")
- PCB Thickness – 1.2-1.6mm (0.047-0.063")
- Allows insertion of FFC/FPC from bottom of PC board, at edge or through slit
- Profile Height – 5.5mm (0.217")

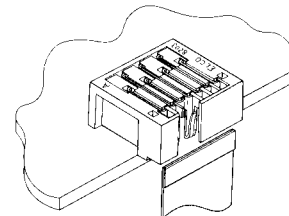


MOUNTING LAYOUT (t=1.2~1.6mm)



FFC, FPC SPECIFICATION

Application



PART NUMBER	NO. OF CONTACTS	A	B	QTY. PER TRAY
00 6203 3010 05 000	5	5.00	9.28	370
06	6	6.25	10.53	330
07	7	7.50	11.78	290
08	8	8.75	13.03	260
09	9	10.00	14.28	240
10	10	11.25	15.53	220
11	11	12.50	16.78	200
12	12	13.75	18.03	190
13	13	15.00	19.28	180
14	14	16.25	20.53	170
00 6203 3010 15 000	15	17.50	21.78	160

(Dimensions: mm)

ORDERING CODE

00 6203 3010 XX 000

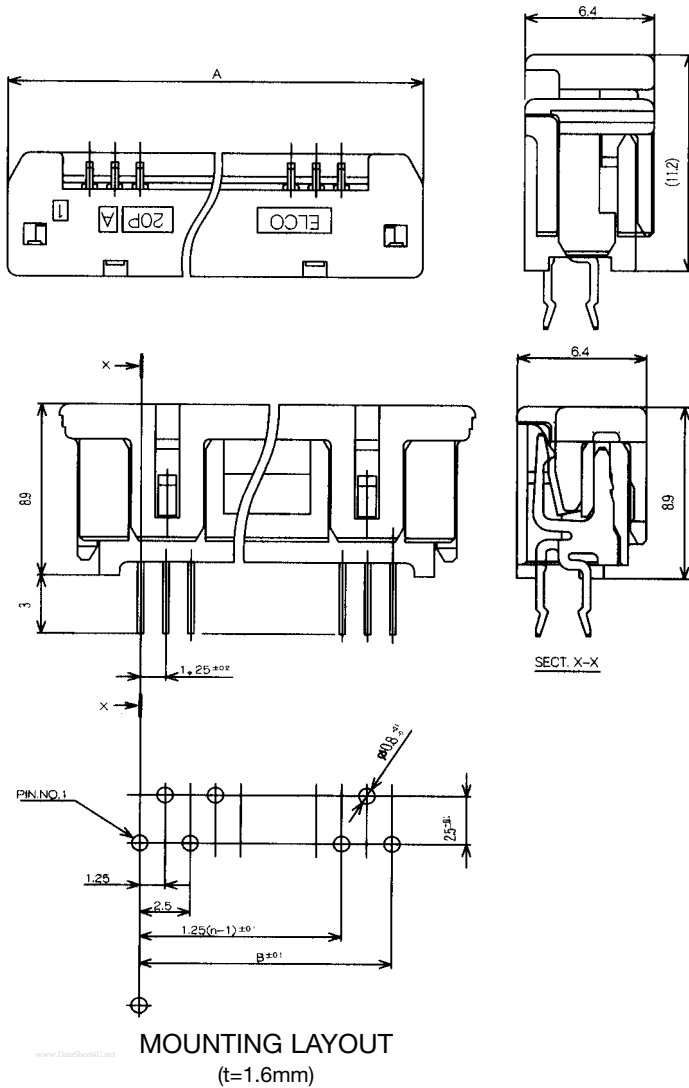
TRAY PACKAGE NUMBER OF CONTACTS (05-15)

1.25mm Pitch

Series 6205



ZIF Straight Through-Hole

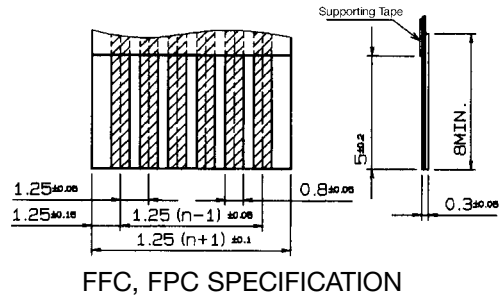


Specifications

- Number of Contacts – 8-40
- Tray Packaged
- Voltage – 125 V
- Current Rating – 1.0 amp max.
- Dielectric Withstanding Voltage – 500V RMS min.
- Operating Temperature – (-40°C - +90°C)
- Contact Material – phosphor bronze (tin-lead plated)
- Insulator Material – glass-filled PBT, (UL 94 V-O) black color
- Slider Material – glass-filled PBT, (UL 94 V-O) beige color
- FFC/FPC Thickness – 0.3 ±0.05 mm (0.012 ±0.002")
- PCB Thickness – 1.6mm (0.063")
- Profile Height – 8.9mm (0.350")

www.ElcoDirect.com

MOUNTING LAYOUT
(t=1.6mm)



FFC, FPC SPECIFICATION

PART NUMBER	NO. OF CONTACTS	A	B	QTY. PER TRAY
00 6205 080 500 825	8	16.85	8.75	147
090	9	18.10	10.00	140
100	10	19.35	11.25	133
110	11	20.60	12.50	119
120	12	21.85	13.75	112
130	13	23.10	15.00	105
140	14	24.35	16.25	105
150	15	25.60	17.50	98
160	16	26.85	18.75	91
170	17	28.10	20.00	91
180	18	29.35	21.25	84
190	19	30.60	22.50	84
200	20	31.85	23.75	77
210	21	33.10	25.00	77
220	22	34.35	26.25	70
230	23	35.60	27.50	70
240	24	36.85	28.75	63
250	25	38.10	30.00	63
260	26	39.35	31.25	63
270	27	40.60	32.50	63
280	28	41.85	33.75	56
290	29	43.10	35.00	56
300	30	44.35	36.25	56
310	31	46.60	37.50	49
320	32	47.85	38.75	49
330	33	49.10	40.00	49
340	34	50.35	41.25	49
350	35	51.60	42.50	49
360	36	52.85	43.75	42
370	37	54.10	45.00	42
380	38	55.35	46.25	42
390	39	56.60	47.50	42
00 6205 400 500 825	40	57.85	48.75	42

(Dimensions: mm)

ORDERING CODE

00 6205 XX0 500 825

NUMBER OF CONTACTS (08-40)

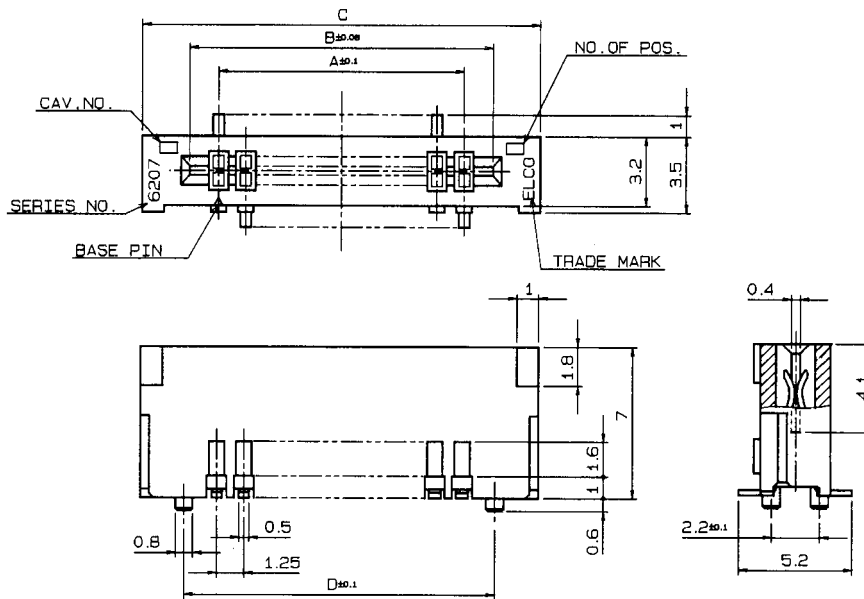
TRAY PACKAGE

1.25mm Pitch

Series 6207

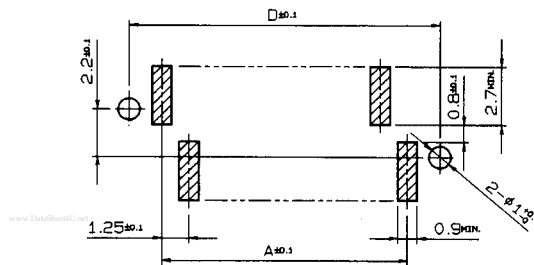


LIF Straight SMT

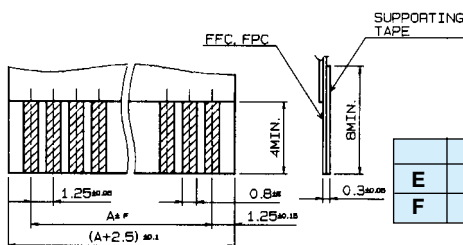


Specifications

- Number of Contacts – 5-20
- Tube Packaged
- Voltage – 125 V
- Current Rating – 1.0 amp max.
- Dielectric Withstanding Voltage – 500V RMS min.
- Operating Temperature – (-20°C - +85°C)
- Contact Material – phosphor bronze (tin-lead plated)
- Insulator Material – glass-filled PPS (UL 94 V-0) brown color
- FFC/FPC Thickness – 0.3 ±0.05 mm (0.012 ±0.002")
- Profile Height – 7.0mm (0.276")



MOUNTING LAYOUT



FFC, FPC SPECIFICATION

	FFC	FPC
E	±0.03	±0.1
F	±0.1	±0.05

PART NUMBER	NO. OF CONTACTS	A	B	C	D	QTY. PER TUBE
00 6207 33 29 05 000	5	5.00	7.66	12.00	8.00	40
06	6	6.25	8.91	13.25	9.25	36
07	7	7.50	10.16	14.50	10.50	33
08	8	8.75	11.41	15.75	11.75	31
09	9	10.00	12.66	17.00	13.00	28
10	10	11.25	13.91	18.25	14.25	26
11	11	12.50	15.16	19.50	15.50	25
12	12	13.75	16.41	20.75	16.75	23
13	13	15.00	17.66	22.00	18.00	22
14	14	16.25	18.91	23.25	19.25	21
15	15	17.50	20.16	24.50	20.50	20
16	16	18.75	21.41	25.75	21.75	19
17	17	20.00	22.66	27.00	23.00	18
18	18	21.25	23.91	28.25	24.25	17
19	19	22.50	25.16	29.50	25.50	16
00 6207 33 29 20 000	20	23.75	26.41	30.75	26.75	15

(Dimensions: mm)

ORDERING CODE

00 6207 33 29 XX 000

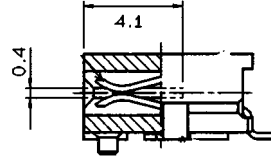
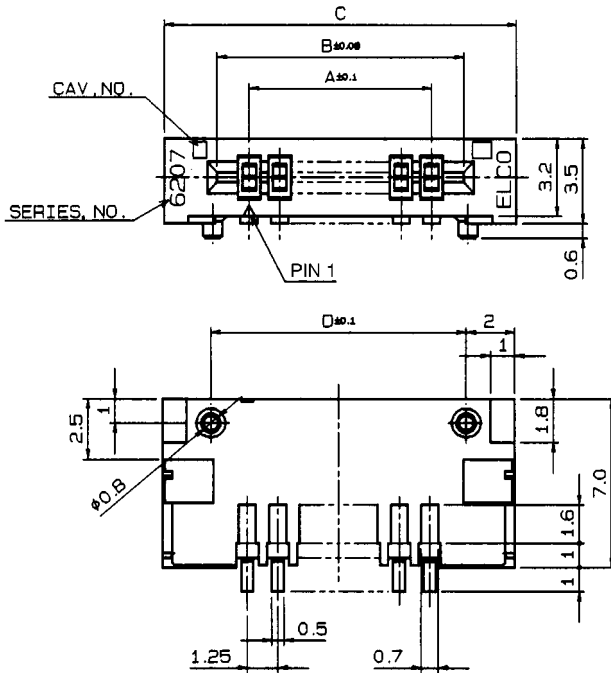
NUMBER OF CONTACTS (05-20)

1.25mm Pitch

Series 6207

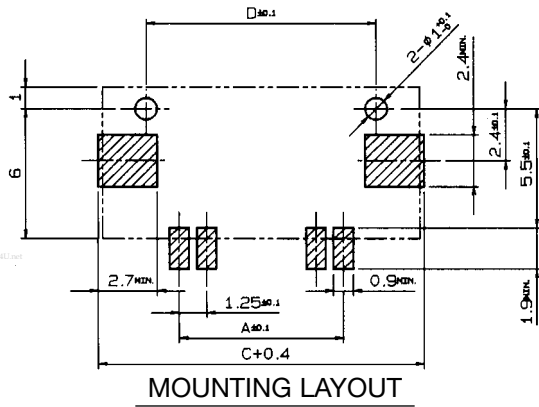


LIF Right Angle SMT



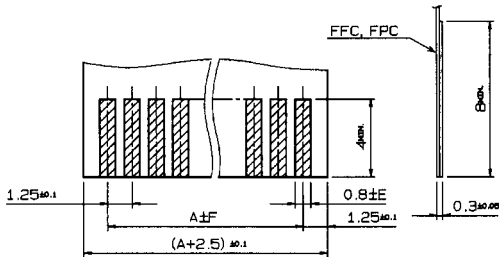
Specifications

- Number of Contacts – 5-20
- Tube Packaged
- Voltage – 125 V
- Current Rating – 1.0 amp max.
- Dielectric Withstanding Voltage – 500V RMS min.
- Operating Temperature – (-20°C - +85°C)
- Contact Material – phosphor bronze (tin-lead plated)
- Insulator Material – glass-filled PPS (UL 94 V-O) brown color
- FFC/FPC Thickness – 0.3 ±0.05 mm (0.012 ±0.002")
- Profile Height – 7.0mm (0.276")



PART NUMBER	NO. OF CONTACTS	A	B	C	D	QTY. PER TUBE
00 6207 34 19 05 000	5	5.00	7.66	12.00	8.00	40
06	6	6.25	8.91	13.25	9.25	36
07	7	7.50	10.16	14.50	10.50	33
08	8	8.75	11.41	15.75	11.75	31
09	9	10.00	12.66	17.00	13.00	28
10	10	11.25	13.91	18.25	14.25	26
11	11	12.50	15.16	19.50	15.50	25
12	12	13.75	16.41	20.75	16.75	23
13	13	15.00	17.66	22.00	18.00	22
14	14	16.25	18.91	23.25	19.25	21
15	15	17.50	20.16	24.50	20.50	20
16	16	18.75	21.41	25.75	21.75	19
17	17	20.00	22.66	27.00	23.00	18
18	18	21.25	23.91	28.25	24.25	17
19	19	22.50	25.16	29.50	25.50	16
00 6207 34 19 20 000	20	23.75	26.41	30.75	26.75	15

(Dimensions: mm)



	FFC	FPC
E	±0.03	±0.1
F	±0.1	±0.05

FFC, FPC SPECIFICATION

ORDERING CODE

00 6207 34 19 XX 000

NUMBER OF CONTACTS (05-20)

1.25mm Pitch

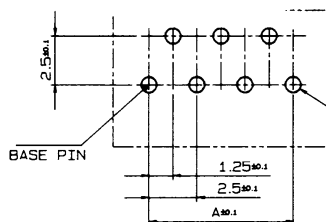
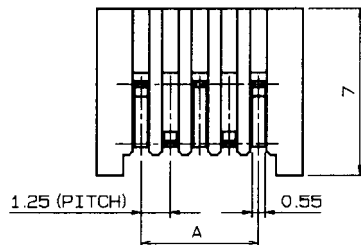
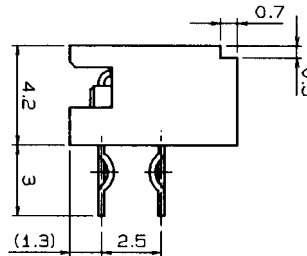
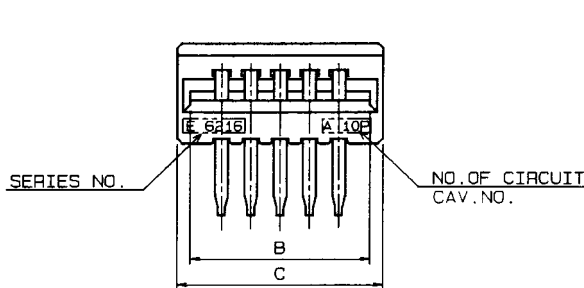
Series 6216



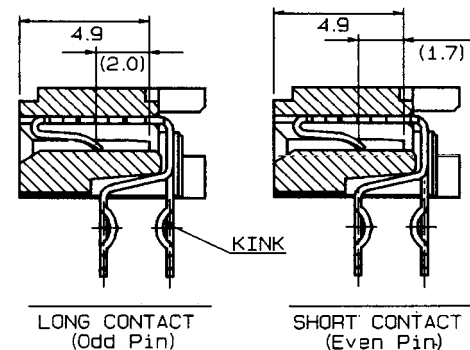
LIF Right Angle Through-Hole (Top Contact)

Specifications

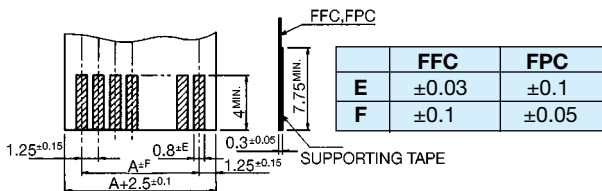
- Number of Contacts – 4-40
- Tube Packaged or Tray Packaged
- Voltage – 200 V
- Current Rating – 1.0 amp max.
- Dielectric Withstanding Voltage – 500V RMS min.
- Operating Temperature – (-20°C - 85°C)
- Contact Material – phosphor bronze (tin-lead plated)
- Insulator Material – glass-filled PBT, (UL 94 V-O) black color
- FFC/FPC Thickness – 0.3 ±0.05 mm (0.012 ±0.002")
- PCB Thickness - 1.0-1.6mm (0.039-0.633")
- Profile Height – Straight – 7.0mm (0.276")
Right Angle – 4.2mm (0.165")
- Reverse footprint for straight type also available – contact sales office for details



MOUNTING LAYOUT



www.elcoinc.com



FFC, FPC SPECIFICATION

ORDERING CODE

XX 6216 0XX 11X 808

00:TRAY PACKAGE
28:TUBE PACKAGE
NUMBER OF CONTACTS (04-30)

VARIATION CODE
0:WITH KINKED LEGS (EACH TWO PINS AT BOTH ENDS)
1:WITHOUT KINKED LEGS

PART NUMBER	NO. OF CONTACTS	A	B	C	QTY. PER TUBE	QTY. PER TRAY
XX 6216 004 11X 808	4	3.75	6.41	7.50	61	480
005	5	5.00	7.66	8.75	53	410
006	6	6.25	8.91	10.00	46	360
007	7	7.50	10.16	11.25	41	320
008	8	8.75	11.41	12.50	37	280
009	9	10.00	12.66	13.75	34	260
010	10	11.25	13.91	15.00	31	240
011	11	12.50	15.16	16.25	29	220
012	12	13.75	16.41	17.50	27	200
013	13	15.00	17.66	18.75	25	190
014	14	16.25	18.91	20.00	23	180
015	15	17.50	20.16	21.25	22	160
016	16	18.75	21.41	22.50	21	160
017	17	20.00	22.66	23.75	20	150
018	18	21.25	23.91	25.00	19	140
019	19	22.50	25.16	26.25	18	130
020	20	23.75	26.41	27.50	17	130
021	21	25.00	27.66	28.75	16	120
022	22	26.25	28.91	30.00	15	120
023	23	27.50	30.16	31.25	15	110
024	24	28.75	31.41	32.50	14	110
025	25	30.00	32.66	33.75	14	100
026	26	31.25	33.91	35.00	13	100
027	27	32.50	35.16	36.25	13	90
028	28	33.75	36.41	37.50	12	90
029	29	35.00	37.66	38.75	12	90
XX 6216 030 11X 808	30	36.25	38.91	40.00	11	90

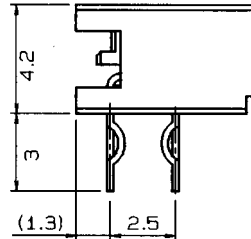
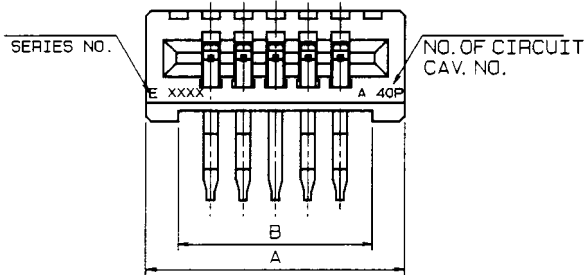
(Dimensions: mm)

1.25mm Pitch

Series 6216

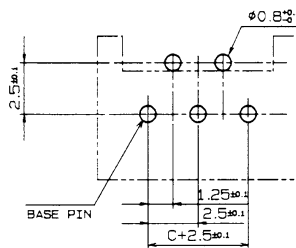
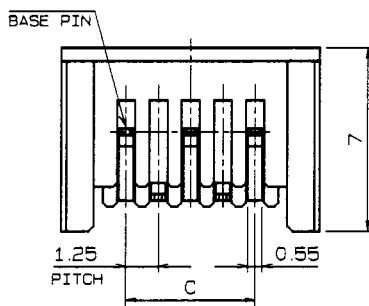


LIF Right Angle Through-Hole High Pin Count

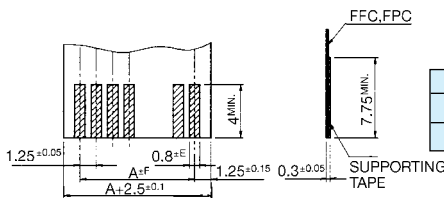


Specifications

- Number of Contacts – 4-40
- Tube Packaged or Tray Packaged
- Voltage – 200 V
- Current Rating – 1.0 amp max.
- Dielectric Withstanding Voltage – 500V RMS min.
- Operating Temperature – (-20°C - +85°C)
- Contact Material – phosphor bronze (tin-lead plated)
- Insulator Material – glass-filled PBT, (UL 94 V-0) black color
- FFC/FPC Thickness – 0.3 ±0.05 mm (0.012 ±0.002")
- PCB Thickness – 1.0-1.6mm (0.039-0.633")
- Profile Height – Straight – 7.0mm (0.276")
Right Angle – 4.2mm (0.165")
- Reverse footprint for straight type also available – contact sales office for details

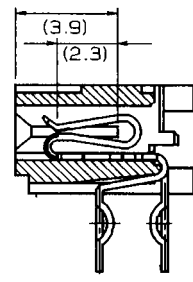


MOUNTING LAYOUT

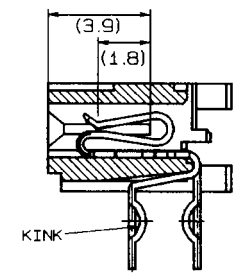


FFC, FPC SPECIFICATION

	FFC	FPC
E	±0.03	±0.1
F	±0.1	±0.05



LONG CONTACT (ODD PIN)



SHORT CONTACT (EVEN PIN)

PART NUMBER	NO. OF CONTACTS	A	B	C	QTY. PER TRAY
00 6216 031 12X 808	31	42.50	40.16	37.50	80
▲ 032 ▲	32	43.75	41.41	38.75	80
033	33	45.00	42.66	40.00	80
034	34	46.25	43.91	41.25	70
035	35	47.50	45.16	42.50	70
036	36	48.75	46.41	43.75	70
037	37	50.00	47.66	45.00	70
038	38	51.25	48.91	46.25	70
▼ 039 ▼	39	52.50	50.16	47.50	60
00 6216 040 12X 808	40	53.75	51.41	48.75	60

(Dimensions: mm)

ORDERING CODE

00 6216 0XX 12X 808

NUMBER OF CONTACTS (31-40)
TRAY PACKAGE

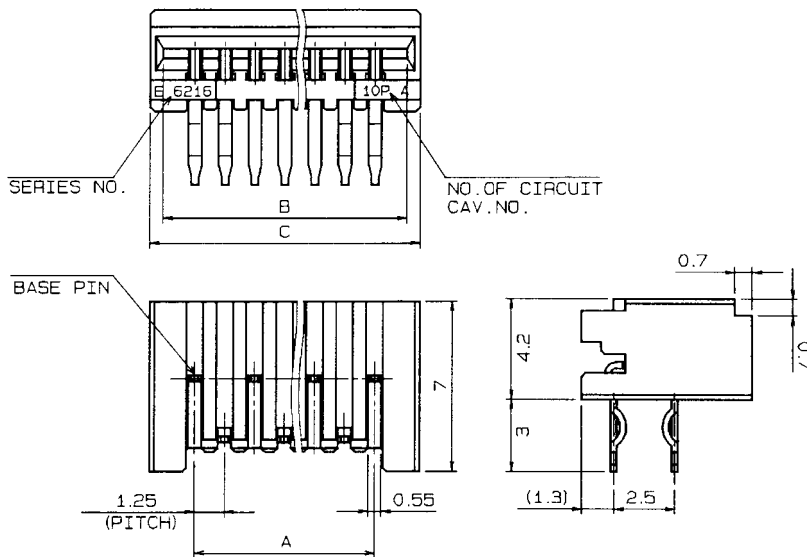
VARIATION CODE
0: WITH KINKED LEGS
(EACH TWO PINS AT BOTH ENDS)
1: WITHOUT KINKED LEGS

1.25mm Pitch

Series 6216

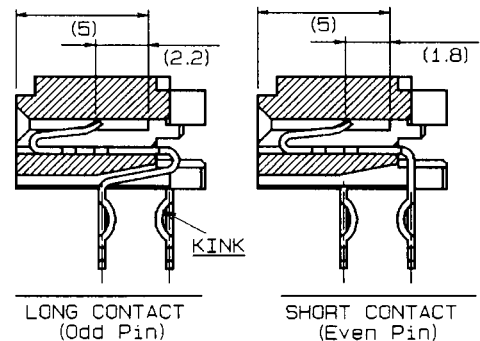


LIF Right Angle Through-Hole (Bottom Contact)

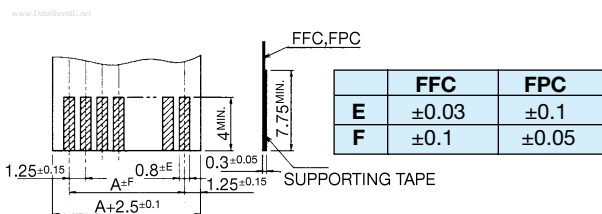


Specifications

- Number of Contacts – 4-40
- Tube Packaged or Tray Packaged
- Voltage – 200 V
- Current Rating – 1.0 amp max.
- Dielectric Withstanding Voltage – 500V RMS min.
- Operating Temperature – (-20°C - +85°C)
- Contact Material – phosphor bronze (tin-lead plated)
- Insulator Material – glass-filled PBT, (UL 94 V-O) black color
- FFC/FPC Thickness – 0.3 ±0.05 mm (0.012 ±0.002")
- PCB Thickness - 1.0-1.6mm (0.039-0.633")
- Profile Height – Straight – 7.0mm (0.276")
Right Angle – 4.2mm (0.165")
- Reverse footprint for straight type also available – contact sales office for details



MOUNTING LAYOUT



FFC, FPC SPECIFICATION

ORDERING CODE

XX 6216 OXX 10X 808

NUMBER OF CONTACTS (04-30)

VARIATION CODE
0: WITH KINKED LEGS (EACH TWO PINS AT BOTH ENDS)
1: WITHOUT KINKED LEGS

00: TRAY PACKAGE
28: TUBE PACKAGE

PART NUMBER	NO. OF CONTACTS	A	B	C	QTY. PER TUBE	QTY. PER TRAY
XX 6216 004 10X 808	4	3.75	6.41	7.50	61	480
005	5	5.00	7.66	8.75	53	410
006	6	6.25	8.91	10.00	46	360
007	7	7.50	10.16	11.25	41	320
008	8	8.75	11.41	12.50	37	280
009	9	10.00	12.66	13.75	34	260
010	10	11.25	13.91	15.00	31	240
011	11	12.50	15.16	16.25	29	220
012	12	13.75	16.41	17.50	27	200
013	13	15.00	17.66	18.75	25	190
014	14	16.25	18.91	20.00	23	180
015	15	17.50	20.16	21.25	22	160
016	16	18.75	21.41	22.50	21	160
017	17	20.00	22.66	23.75	20	150
018	18	21.25	23.91	25.00	19	140
019	19	22.50	25.16	26.25	18	130
020	20	23.75	26.41	27.50	17	130
021	21	25.00	27.66	28.75	16	120
022	22	26.25	28.91	30.00	15	120
023	23	27.50	30.16	31.25	15	110
024	24	28.75	31.41	32.50	14	110
025	25	30.00	32.66	33.75	14	100
026	26	31.25	33.91	35.00	13	100
027	27	32.50	35.16	36.25	13	90
028	28	33.75	36.41	37.50	12	90
029	29	35.00	37.66	38.75	12	90
XX 6216 030 10X 808	30	36.25	38.91	40.00	11	90

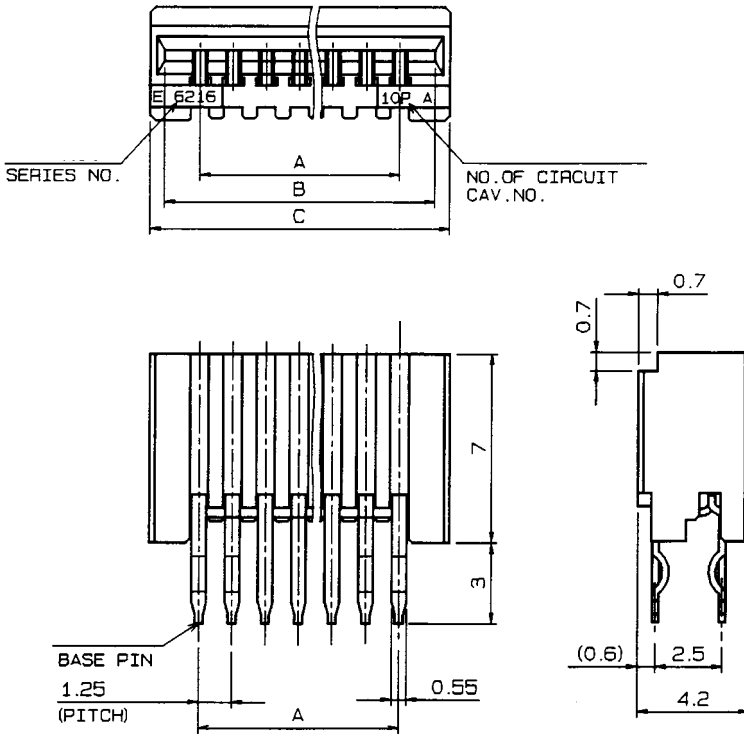
(Dimensions: mm)

1.25mm Pitch

Series 6216

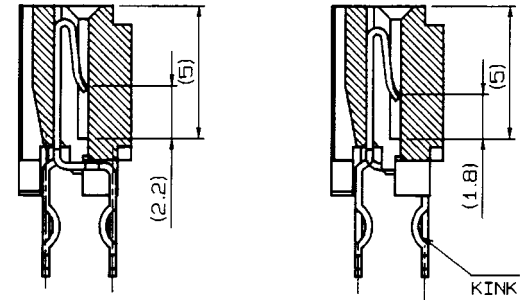


LIF Straight Through-Hole



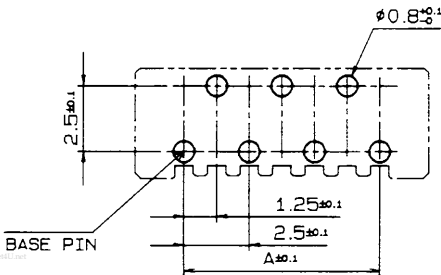
Specifications

- Number of Contacts – 4-40
- Tube Packaged or Tray Packaged
- Voltage – 200 V
- Current Rating – 1.0 amp max.
- Dielectric Withstanding Voltage – 500V RMS min.
- Operating Temperature – (-20°C - +85°C)
- Contact Material – phosphor bronze (tin-lead plated)
- Insulator Material – glass-filled PBT, (UL 94 V-O) black color
- FFC/FPC Thickness – 0.3 ±0.05 mm (0.012 ±0.002")
- PCB Thickness – 1.0-1.6mm (0.039-0.633")
- Profile Height – Straight – 7.0mm (0.276")
Right Angle – 4.2mm (0.165")
- Reverse footprint for straight type also available – contact sales office for details

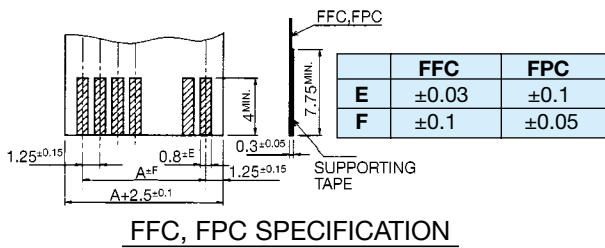


LONG CONTACT (EVEN PIN)

SHORT CONTACT (ODD PIN)



MOUNTING LAYOUT



FFC, FPC SPECIFICATION

ORDERING CODE

00 6216 OXX 00X 808

NUMBER OF CONTACTS (04-30)
TRAY PACKAGE

VARIATION CODE
0: WITH KINKED LEGS (EACH TWO PINS AT BOTH ENDS)
1: WITHOUT KINKED LEGS

PART NUMBER	NO. OF CONTACTS	A	B	C	QTY. PER TRAY
00 6216 004 00X 808	4	3.75	6.41	7.50	480
005	5	5.00	7.66	8.75	410
006	6	6.25	8.91	10.00	360
007	7	7.50	10.16	11.25	320
008	8	8.75	11.41	12.50	280
009	9	10.00	12.66	13.75	260
010	10	11.25	13.91	15.00	220
011	11	12.50	15.16	16.25	220
012	12	13.75	16.41	17.50	200
013	13	15.00	17.66	18.75	190
014	14	16.25	18.91	20.00	180
015	15	17.50	20.16	21.25	160
016	16	18.75	21.41	22.50	160
017	17	20.00	22.66	23.75	150
018	18	21.25	23.91	25.00	140
019	19	22.50	25.16	26.25	130
020	20	23.75	26.41	27.50	130
021	21	25.00	27.66	28.75	120
022	22	26.25	28.91	30.00	120
023	23	27.50	30.16	31.25	110
024	24	28.75	31.41	32.50	110
025	25	30.00	32.66	33.75	100
026	26	31.25	33.91	35.00	100
027	27	32.50	35.16	36.25	90
028	28	33.75	36.41	37.50	90
029	29	35.00	37.66	38.75	90
00 6216 030 00X 808	30	36.25	38.91	40.00	90

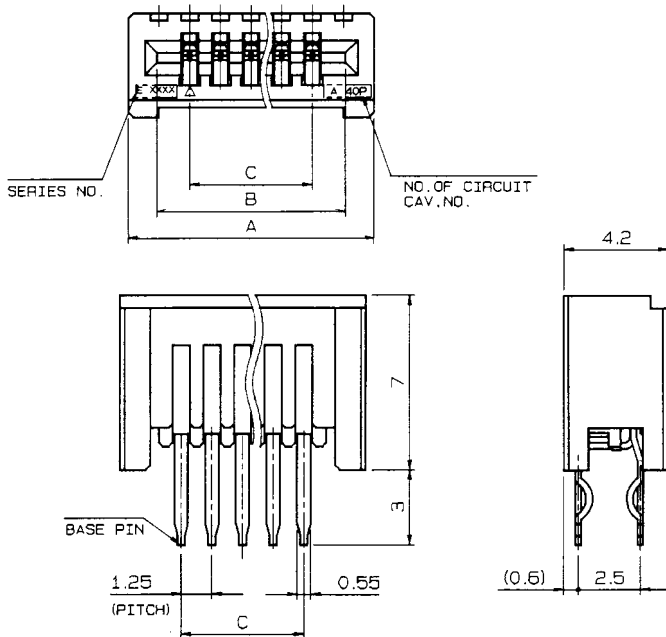
(Dimensions: mm)

1.25mm Pitch

Series 6216

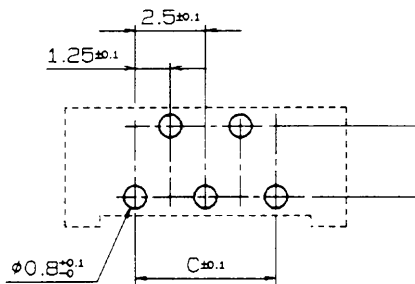


LIF Straight Through-Hole High Pin Count

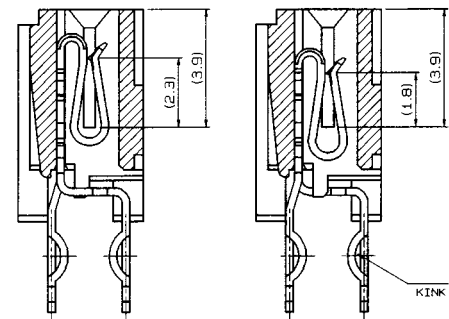


Specifications

- Number of Contacts – 4-40
- Tube Packaged or Tray Packaged
- Voltage – 200 V
- Current Rating – 1.0 amp max.
- Dielectric Withstanding Voltage – 500V RMS min.
- Operating Temperature – (-20°C - +85°C)
- Contact Material – phosphor bronze (tin-lead plated)
- Insulator Material – glass-filled PBT, (UL 94 V-O) black color
- FFC/FPC Thickness – 0.3 ±0.05 mm (0.012 ±0.002")
- PCB Thickness - 1.0-1.6mm (0.039-0.633")
- Profile Height – Straight – 7.0mm (0.276")
Right Angle – 4.2mm (0.165")
- Reverse footprint for straight type also available – contact sales office for details

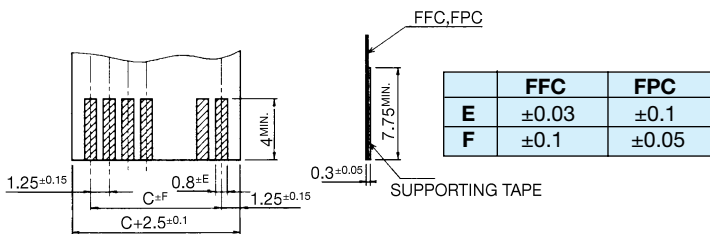


MOUNTING LAYOUT (t=1~1.6mm)



LONG CONTACT (ODD PIN)

SHORT CONTACT (EVEN PIN)



FFC, FPC SPECIFICATION

ORDERING CODE

00 6216 1XX 82X 808

NUMBER OF CONTACTS (31-40)
TRAY PACKAGE

VARIATION CODE
0: WITH KINKED LEGS (EACH TWO PINS AT BOTH ENDS)
1: WITHOUT KINKED LEGS

PART NUMBER	NO. OF CONTACTS	A	B	C	QTY. PER TRAY
00 6216 131 82X 808	31	42.50	40.16	37.50	80
↑ 132	32	43.75	41.41	38.75	80
↑ 133	33	45.00	42.66	40.00	80
↑ 134	34	46.25	43.91	41.25	70
↑ 135	35	47.50	45.16	42.50	70
↑ 136	36	48.75	46.41	43.75	70
↑ 137	37	50.00	47.66	45.00	70
↓ 138	38	51.25	48.91	46.25	70
↓ 139	39	52.50	50.16	47.50	60
00 6216 140 82X 808	40	53.75	51.41	48.75	60

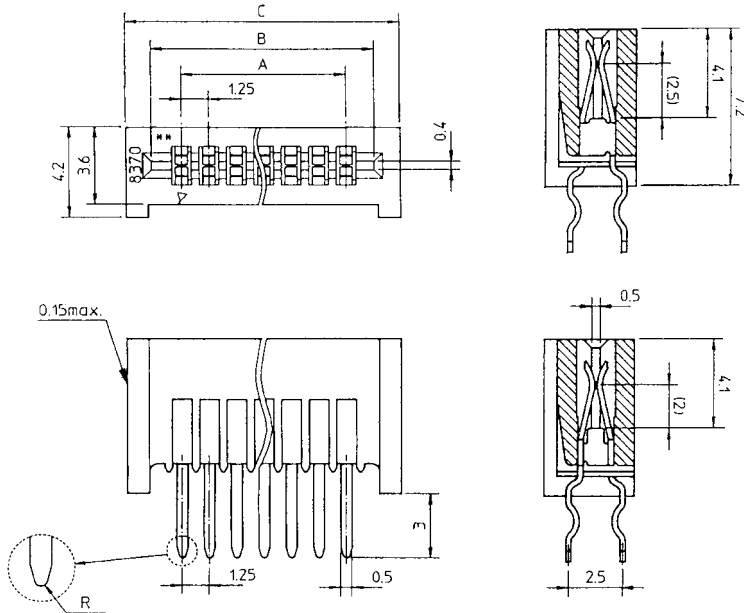
(Dimensions: mm)

1.25mm Pitch

Series 8370

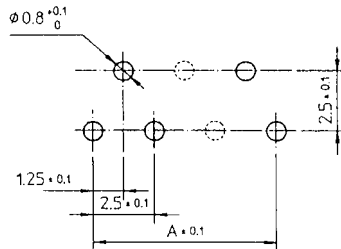


LIF Straight Through-Hole (Dual Sided Contact)

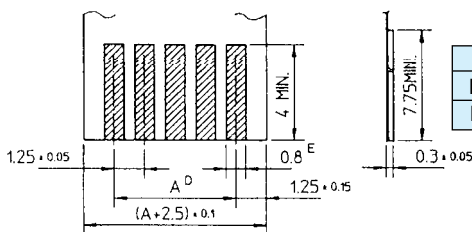


Specifications

- Number of Contacts – 4-30
- Tray Packaged or Tube
- Voltage – 125 V
- Current Rating – 1.0 amp max.
- Dielectric Withstanding Voltage – 500V RMS min.
- Operating Temperature – (-40°C - +85°C)
- Contact Material – phosphor bronze (tin-lead plated)
- Insulator Material – glass-filled PBT, (UL 94 V-O) black color
- FFC/FPC Thickness – 0.3 ±0.05 mm (0.012 ±0.002")
- PCB Thickness – 1.0 - 1.6mm (0.039-0.633")
- Profile Height – Straight – 7.2mm (0.276")
Right Angle – 4.2mm (0.165")



MOUNTING LAYOUT (t=1~1.6mm)



	FFC	FPC
D	±0.1	±0.05
E	±0.03	±0.1

FFC, FPC SPECIFICATION

ORDERING CODE

00 8370 XX1 00X 800

NUMBER OF CONTACTS (04-30)
 0=TRAY PACKAGE
 1=TUBE PACKAGE
 0=KINKED LEGS (Preferred option)
 1=NON-KINKED LEGS

PART NUMBER	NO. OF CONTACTS	A	B	C	QTY. PER TUBE	QTY. PER TRAY
00 8370 041 X0X 800	4	3.75	6.41	8.75	55	410
051	5	5.00	7.66	10.00	48	350
061	6	6.25	8.91	11.25	43	320
071	7	7.50	10.16	12.50	38	280
081	8	8.75	11.41	13.75	35	260
091	9	10.00	12.66	15.00	32	240
101	10	11.25	13.91	16.25	29	220
111	11	12.50	15.16	17.50	27	200
121	12	13.75	16.41	18.75	25	190
131	13	15.00	17.66	20.00	24	180
141	14	16.25	18.91	21.25	22	170
151	15	17.50	20.16	22.50	21	160
161	16	18.75	21.41	23.75	20	150
171	17	20.00	22.66	25.00	19	140
181	18	21.25	23.91	26.25	18	130
191	19	22.50	25.16	27.50	17	120
201	20	23.75	26.41	28.75	16	120
211	21	25.00	27.66	30.00	16	110
221	22	26.25	28.91	31.25	15	110
231	23	27.50	30.16	32.50	14	100
241	24	28.75	31.41	33.75	14	100
251	25	30.00	32.66	35.00	13	100
261	26	31.25	33.91	36.25	13	90
271	27	32.50	35.16	37.50	12	90
281	28	33.75	36.41	38.75	12	90
291	29	35.00	37.66	40.00	12	80
00 8370 301 X0X 800	30	36.25	38.91	41.25	11	80

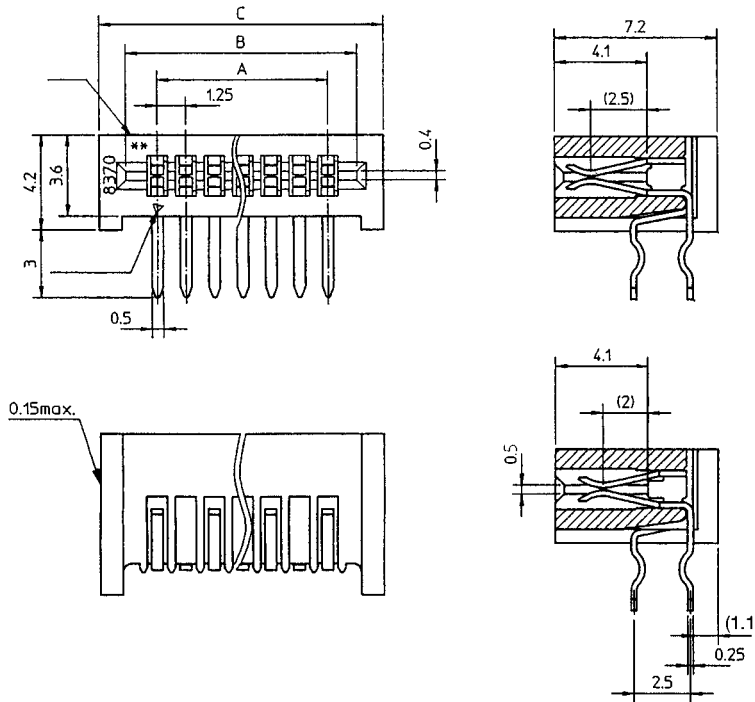
(Dimensions: mm)

1.25mm Pitch

Series 8370

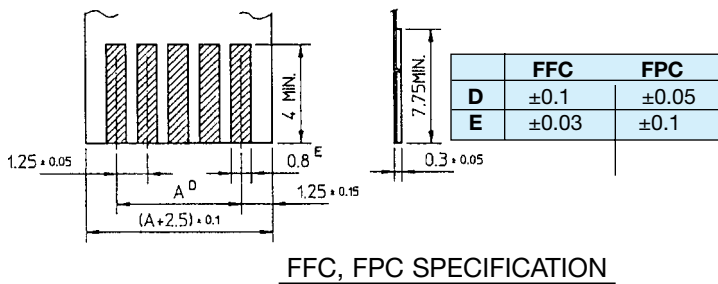
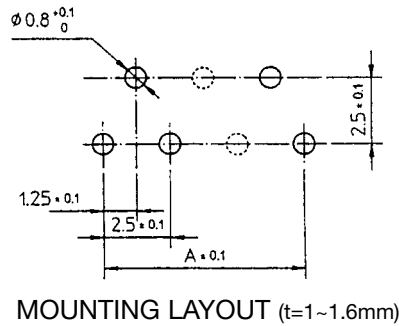


LIF Right Angle Through-Hole (Dual Sided Contact)



Specifications

- Number of Contacts – 4-30
- Tray Packaged or Tube
- Voltage – 125 V
- Current Rating – 1.0 amp max.
- Dielectric Withstanding Voltage – 500V RMS min.
- Operating Temperature – (-40°C - +85°C)
- Contact Material – phosphor bronze (tin-lead plated)
- Insulator Material – glass-filled PBT, (UL 94 V-O) black color
- FFC/FPC Thickness – 0.3 ±0.05 mm (0.012 ±0.002")
- PCB Thickness – 1.0 - 1.6mm (0.039-0.633")
- Profile Height – Straight – 7.2mm (0.276")
Right Angle – 4.2mm (0.165")



PART NUMBER	NO. OF CONTACTS	A	B	C	QTY. PER TUBE	QTY. PER TRAY
00 8370 047 X0X 800	4	3.75	6.41	8.75	55	410
057	5	5.00	7.66	10.00	48	350
067	6	6.25	8.91	11.25	43	320
077	7	7.50	10.16	12.50	38	280
087	8	8.75	11.41	13.75	35	260
097	9	10.00	12.66	15.00	32	240
107	10	11.25	13.91	16.25	29	220
117	11	12.50	15.16	17.50	27	200
127	12	13.75	16.41	18.75	25	190
137	13	15.00	17.66	20.00	24	180
147	14	16.25	18.91	21.25	22	170
157	15	17.50	20.16	22.50	21	160
167	16	18.75	21.41	23.75	20	150
177	17	20.00	22.66	25.00	19	140
187	18	21.25	23.91	26.25	18	130
197	19	22.50	25.16	27.50	17	120
207	20	23.75	26.41	28.75	16	120
217	21	25.00	27.66	30.00	16	110
227	22	26.25	28.91	31.25	15	110
237	23	27.50	30.16	32.50	14	100
247	24	28.75	31.41	33.75	14	100
257	25	30.00	32.66	35.00	13	100
267	26	31.25	33.91	36.25	13	90
277	27	32.50	35.16	37.50	12	90
287	28	33.75	36.41	38.75	12	90
297	29	35.00	37.66	40.00	12	80
00 8370 307 X0X 800	30	36.25	38.91	41.25	11	80

ORDERING CODE
00 8370 XX7 00X 800
 NUMBER OF CONTACTS (04-30)
 0=TRAY PACKAGE
 1=TUBE PACKAGE
 0=KINKED LEGS (Preferred option)
 1=NON-KINKED LEGS

(Dimensions: mm)

Connectors

- Automotive Connectors
- Board to Board Connectors – SMT and Through-Hole
- Card Edge
- Custom Designed Connectors
- Customized Backpanel, Racking and Harnessing Services
- DIN 41612 Connectors
- Insulation Displacement Connectors
- I/O Connectors
- Memory Card Headers and Sockets
- MOBO™, I/O, Board to Board and Battery Connectors
- Press-fit Connectors
- Torsion, 1.27mm (.050") Board to Board Connectors
- Wire to Board, Crimp or IDC

Passives

- MLC Capacitors
- Tantalum Capacitors
- Microwave Capacitors
- Thin Film Capacitors
- Glass Capacitors
- Chip Resistors
- Networks
- EMI Filters
- Bulk Filters
- www.Elenco.com Saw Filters
- Dielectric Filters
- Resonators
- Oscillators
- Thin Film Inductors
- Thin Film Fuses
- Voltage Suppressors
- Acoustical Piezos

NOTICE: Specifications are subject to change without notice. Contact your nearest AVX Sales Office for the latest specifications. All statements, information and data given herein are believed to be accurate and reliable, but are presented without guarantee, warranty, or responsibility of any kind, expressed or implied. Statements or suggestions concerning possible use of our products are made without representation or warranty that any such use is free of patent infringement and are not recommendations to infringe any patent. The user should not assume that all safety measures are indicated or that other measures may not be required. Specifications are typical and may not apply to all applications.

Elco – World Class Connections

USA

AVX Myrtle Beach, SC Corporate Offices

Tel: 843-448-9411
FAX: 843-448-1943

AVX Northwest, WA

Tel: 360-669-8746
FAX: 360-699-8751

AVX North Central, IN

Tel: 317-848-7153
FAX: 317-844-9314

AVX Northeast, MA

Tel: 508-485-8114
FAX: 508-485-8471

AVX Mid-Pacific, CA

Tel: 408-436-5400
FAX: 408-437-1500

AVX Southwest, AZ

Tel: 602-834-7919
FAX: 602-834-8078

AVX South Central, TX

Tel: 972-669-1223
FAX: 972-669-2090

AVX Southeast, NC

Tel: 919-878-6357
FAX: 919-878-6462

AVX Canada

Tel: 905-564-8959
FAX: 905-564-9728

EUROPE

AVX Limited, England European Headquarters

Tel: ++44 (0)1252 770000
FAX: ++44 (0)1252 770001

AVX S.A., France

Tel: ++33 (1) 69.18.46.00
FAX: ++33 (1) 69.28.73.87

AVX GmbH, Germany - AVX

Tel: ++49 (0) 8131 9004-0
FAX: ++49 (0) 8131 9004-44

AVX GmbH, Germany - Elco

Tel: ++49 (0) 2741 2990
FAX: ++49 (0) 2741 299133

AVX srl, Italy

Tel: ++39 (0)2 665 00116
FAX: ++39 (0)2 614 2576

AVX Ltd., Israel

Tel: ++972 (0)9957 3873
FAX: ++972 (0)9957 3853

AVX sro, Czech Republic

Tel: ++420(0)467 558340
FAX: ++420(0)467 2844

ASIA-PACIFIC

AVX/Kyocera, Singapore Asia-Pacific Headquarters

Tel: (65) 258-2833
FAX: (65) 350-4880

AVX/Kyocera, Hong Kong

Tel: (852) 2-363-3303
FAX: (852) 2-765-8185

AVX/Kyocera, Korea

Tel: (82) 2-785-6504
FAX: (82) 2-784-5411

AVX/Kyocera, Taiwan

Tel: (886) 2-2516-7010
FAX: (886) 2-2506-9774

AVX/Kyocera, China

Tel: (86) 21-6249-0314-16
FAX: (86) 21-6249-0313

AVX/Kyocera, Malaysia

Tel: (60) 4-228-1190
FAX: (60) 4-228-1196

Kyocera, Japan

Tel: (81) 75-592-3897
FAX: (81) 75-501-4936

Contact:



<http://www.avxcorp.com>