

Customer Information Sheet

DRAWING No.: H9004-01

SHEET 2 OF 2

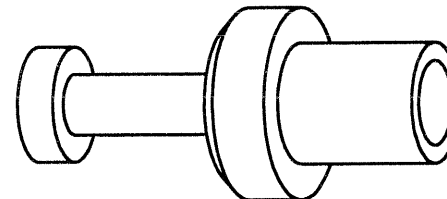
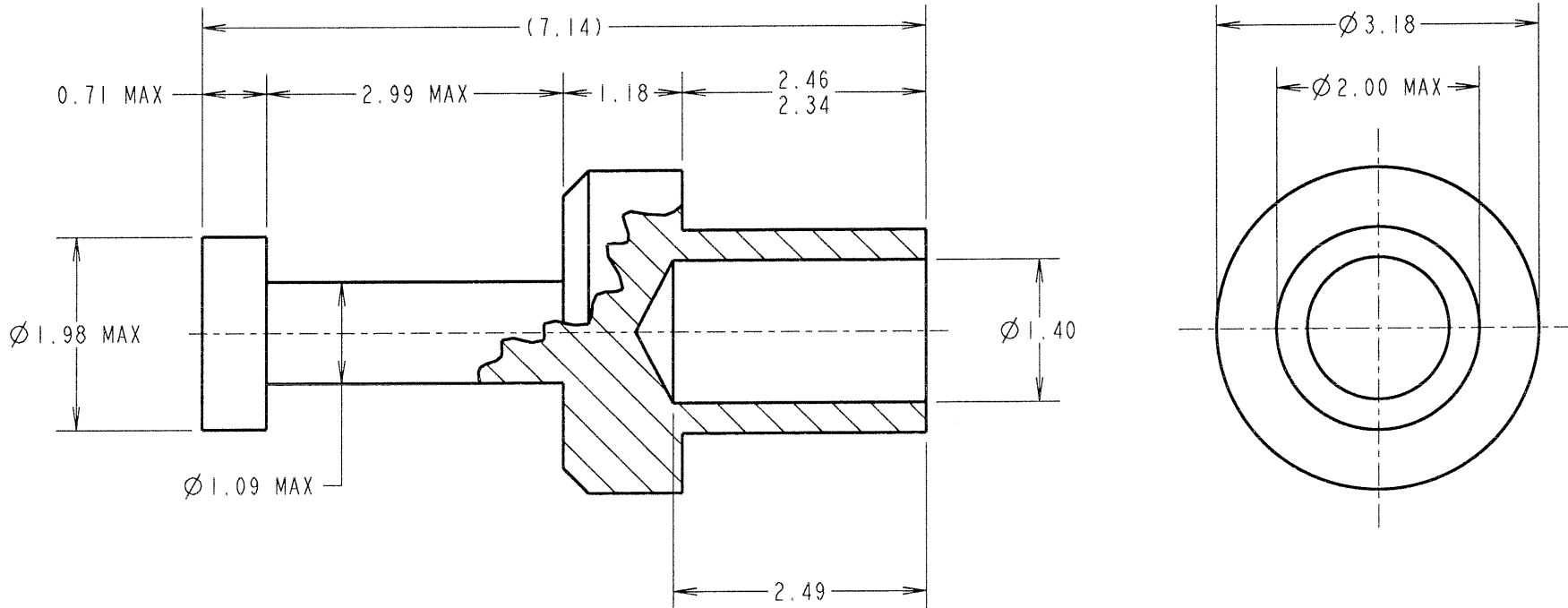
IF IN DOUBT - ASK

Ⓒ

NOT TO SCALE

THIRD ANGLE PROJECTION

ALL DIMENSIONS IN mm



NOTES:

1. UNLESS OTHERWISE STATED, TOLERANCES = ± 0.13
2. USE WITH PUNCH & DIE TOOL PART NUMBER Z9004-00
3. FOR USE WITH BOARD THICKNESS 1.60mm
4. RECOMMENDED HOLE SIZE = $\varnothing 2.01 / 2.09$ mm

| | | | |
|-----------------------------|------|----------|--------|
| JMB | 16 | 07.02.07 | 9692 |
| NAME | ISS. | DATE | C/NOTE |
| APPROVED: | | | |
| CHECKED: <i>[Signature]</i> | | | |
| DRAWN: JM BROOKES | | | |
| CUSTOMER REF.: | | | |
| ASSEMBLY DRG: | | | |

HARWIN

THIS DRAWING AND ANY INFORMATION OR DESCRIPTIVE MATTER SET OUT HEREON ARE CONFIDENTIAL AND COPYRIGHT PROPERTY OF THE HARWIN GROUP AND MUST NOT BE DISCLOSED, LOANED, COPIED OR USED FOR MANUFACTURING, TENDERING OR FOR ANY OTHER PURPOSE WITHOUT THEIR WRITTEN PERMISSION.

~~TOLERANCES~~
~~X = ± 1 mm~~
~~X.X = ± 0.25 mm~~
~~X.XX = ± 0.10 mm~~
~~X.XXX = ± 0.01 mm~~
 ANGLES = $\pm 5^\circ$
 UNLESS STATED

MATERIAL: ANNEALED BRASS
 CW614N M TO BS EN 12164
 FINISH: 100% TIN OVER NICKEL
 S/AREA: mm²

TITLE: TERMINAL LUG

DRAWING NUMBER: H9004-01

SHT 2 OF 2

| | | |
|--|--|---|
| HARWIN INC U.S.A. TEL: (812) 542 2540 FAX: (812) 542 2541 | HARWIN PLC U.K. TEL: 023 9231 4545 FAX: 023 9231 4590 | HARWIN PTE SINGAPORE TEL: 65 6779 4909 FAX: 65 6779 3868 |
|--|--|---|