



## Frequency Generator for Gigabit Ethernet Systems

### General Description

The ICS9112-41/42 is a high speed clock generator designed to support Gigabit Ethernet system requirements. The ICS9112-41/42 generates 125 MHz from a 25 MHz crystal.

An exact frequency multiplying ratio ensures better than  $\pm 100$  ppm frequency accuracy using a standard AT crystal with external load capacitors (typically  $33\text{pF} \pm 5\%$  for an  $18\text{pF}$  load crystal). Achieving  $\pm 100$  ppm over four years requires the crystal to have a  $\pm 20$  ppm initial accuracy,  $\pm 30$  ppm temperature and  $\pm 5$  ppm/year aging coefficients.

The ICS9112-41/42 with less than 25ps accumulative jitter is well suited for Gigabit Ethernet applications.

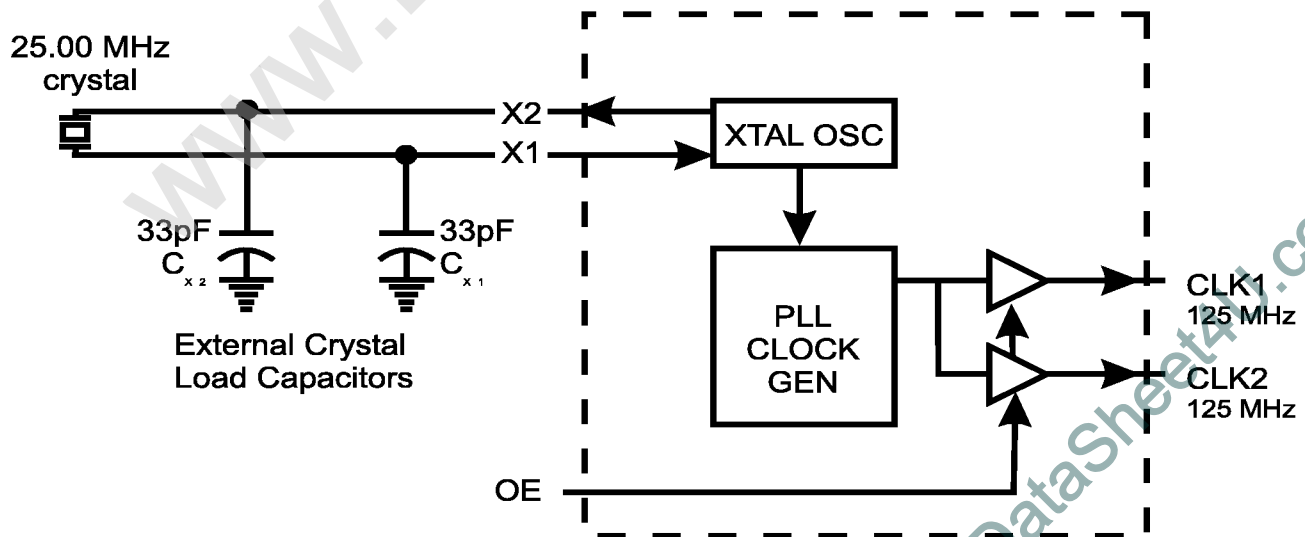
### Features

- Generates 125 MHz clocks from a 25 MHz crystal
- Less than 45ps one sigma jitter (15ps typ.)
- Less than  $\pm 130$ ps absolute jitter
- Less than 25ps accumulative jitter @ 256 cycles
- Rise/fall times less than 1.2ns driving  $15\text{pF}$
- On-chip loop filter components
- 3.0V-5.5V supply range
- 8-pin, 150-mil SOIC package

### Applications

- Specifically designed to support the high-speed clocking requirements of Gigabit Ethernet systems.

### Block Diagram

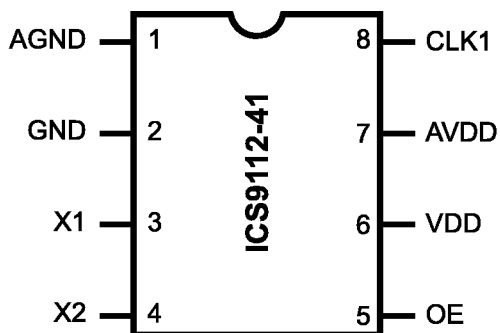


# ICS9112-41/42

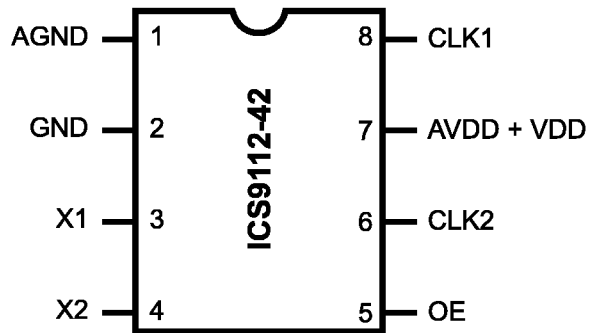


## Preliminary Product Preview

### Pin Configurations



8-Pin SOIC



8-Pin SOIC

### Pin Descriptions

PIN NUMBER	PIN NAME	TYPE	DESCRIPTION
1	AGND	PWR	Analog ground.
2	GND	PRW	Digital Ground.
3	X1	IN	Crystal or clock input to device; nominally 25.0 MHz. Requires external load capacitors.
4	X2	IN	Crystal drive output from device. Requires external load capacitors.
5	OE	IN	Output enable (has internal pull_up.): when OE is low, it tristates the clock output (FOUT)
6	VDD	PWR	+3.3 or +5.0 volt supply. (41)
	CLK2	OUT	clock output 125 MHz. (42)
7	AVDD	PWR	Analog power. (Must equal digital power voltage). (41)
	VDD+AVDD	PWR	Digital and analog power, +3.3 or +5.0 volt supply. (42)
8	CLK1	OUT	Clock output 125 MHz.

### Functionality

OE	X1, X2 (MHz)	FOUT (MHz)
1	25.00	125
0	25.00	Tristate



## Absolute Maximum Ratings

AVDD, VDD referenced to GND ..... 7V  
 Operating temperature under bias. .... 0°C to +70°C  
 Storage temperature ..... -65°C to +150°C  
 Voltage on I/O pins referenced to GND. .... GND -0.5V to VDD +0.5V  
 Power dissipation ..... 0.5 Watts

Stresses above those listed under Absolute Maximum Ratings may cause permanent damage to the device. This is a stress rating only and functional operation of the device at these or any other conditions above those indicated in the operational sections of the specifications is not implied. Exposure to absolute maximum rating conditions for extended periods may affect product reliability.

## Electrical Characteristics at 5.0V

Operating V<sub>DD</sub> = +4.5V to +5.5V; T<sub>A</sub> =0°C to 70°C unless otherwise stated.

DC Characteristics						
PARAMETER	SYMBOL	TEST CONDITIONS	MIN	TYP	MAX	UNITS
Input Low Voltage	V <sub>IL</sub>			-	0.8	V
Input High Voltage	V <sub>IH</sub>		2.0	-	-	V
Input Low Current	I <sub>IL</sub>	V <sub>IN</sub> =0V (Pull-up input)	-16.0	-6.0	-	μA
Input High Current	I <sub>IH</sub>	V <sub>IN</sub> =V <sub>DD</sub>	-2.0	-	2.0	μA
Output Low Voltage <sup>1</sup>	V <sub>OL</sub>	I <sub>OL</sub> =10mA	-	0.15	0.40	V
Output High Voltage <sup>1</sup>	V <sub>OH</sub>	I <sub>OH</sub> =-30mA	2.4	3.25	-	V
Output Low Current <sup>1</sup>	I <sub>OL</sub>	V <sub>OL</sub> =0.8V	22.0	35.0	-	mA
Output High Current <sup>1</sup>	I <sub>OH</sub>	V <sub>OH</sub> =2.0V	-	-50.0	-35.0	mA
Supply Current	I <sub>DD</sub>	Unloaded	-	22.0	45.0	mA
Pull-up Resistor <sup>1</sup>	R <sub>pu</sub>			100	-	k ohms
AC Characteristics						
Rise Time <sup>1</sup>	T <sub>rl</sub>	15pF load, 0.8 to 2.0V	-	0.8	1.2	ns
Fall Time <sup>1</sup>	T <sub>fl</sub>	15pF load, 2.0 to 0.8V		0.7	1.2	ns
Duty Cycle <sup>1</sup>	D <sub>t</sub>	15pF load @ 1.4V	42.0	49.0	55.0	%
Jitter, One Sigma <sup>1</sup>	T <sub>j1s</sub>	15pF load	-	15.0	45.0	ps
Jitter, Absolute <sup>1</sup>	T <sub>jab</sub>	15pF load	-130.0		130.0	ps
Accumulative Jitter <sup>1</sup>	T <sub>jacc</sub>	15pF load @ 256 Cycle	-	17.0	-	ps
Input Frequency <sup>1</sup>	F <sub>i</sub>		-	25.0	-	MHz
Output Frequency <sup>1</sup>	F <sub>o</sub>		-	125	-	MHz
Power-up Time <sup>1</sup>	T <sub>pu</sub>		-	7.58	18.0	ms
Crystal Input Capacitance <sup>1</sup>	C <sub>inx</sub>	X1 (Pin 1) X2 (Pin 8)	-	3.0	-	pF

Note 1: Parameter is guaranteed by design and characterization. Not 100% tested in production.



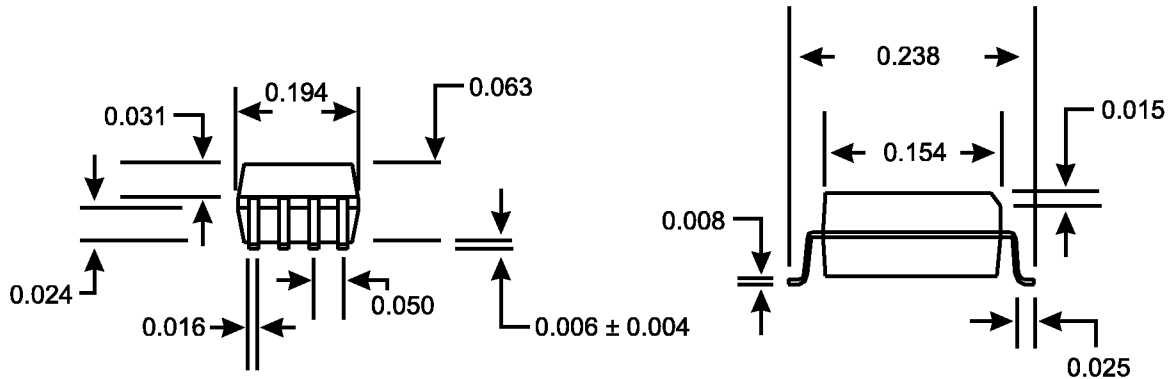
## Preliminary Product Preview

### Electrical Characteristics at 3.3V

Operating  $V_{DD} = +3.0V$  to  $+3.7V$ ;  $T_A = 0^\circ C$  to  $70^\circ C$  unless otherwise stated

DC Characteristics						
PARAMETER	SYMBOL	TEST CONDITIONS	MIN	TYP	MAX	UNITS
Input Low Voltage	$V_{IL}$		-	-	$0.20V_{DD}$	V
Input High Voltage	$V_{IH}$		$0.7V_{DD}$	-	-	V
Input Low Current	$I_{IL}$	$V_{IN}=0V$ (Pull-up input)	-7.0	-2.5	-	$\mu A$
Input High Current	$I_{IH}$	$V_{IN}=V_{DD}$	-2.0	-	2.0	$\mu A$
Output Low Voltage <sup>1</sup>	$V_{OL}$	$I_{OL}=-6mA$		$0.05V_{DD}$	$0.1V_{DD}$	V
Output High Voltage <sup>1</sup>	$V_{OH}$	$I_{OH}=-5mA$	$0.85V_{DD}$	$0.92V_{DD}$	-	V
Output Low Current <sup>1</sup>	$I_{OL}$	$V_{OL}=0.2V_{DD}$	15.0	22.0	-	mA
Output High Current <sup>1</sup>	$I_{OH}$	$V_{OH}=0.7V_{DD}$	-	-17.0	-10.0	mA
Supply Current	$I_{DD}$	Unloaded	-	14.0	30.0	mA
Pull-up Resistor <sup>1</sup>	$R_{pu}$		-	175.0	-	k ohms
AC Characteristics						
Rise Time <sup>1</sup>	$T_{rl}$	15pF load, 0.8 to 2.0V	-	0.75	1.2	ns
Fall Time <sup>1</sup>	$T_{fl}$	15pF load, 2.0 to 0.8V	-	0.7	1.2	ns
Duty Cycle <sup>1</sup>	$D_t$	15pF load @ 1.4V	40.0	50.0	60.0	%
Jitter, One Sigma <sup>1</sup>	$T_{j1s}$	15pF load	-	15.0	45.0	ps
Jitter, Absolute <sup>1</sup>	$T_{jab}$	15pF load	-130.0	-	130.0	ps
Accumulative Jitter <sup>1</sup>	$T_{jacc}$	15pF load @ 256 cycle	-	17.0	-	ps
Input Frequency <sup>1</sup>	$F_i$		-	25.0	-	MHz
Output Frequency <sup>1</sup>	$F_o$		-	106.25	-	MHz
Power-up Time <sup>1</sup>	$T_{pu}$		-	7.58	18.0	ms
Crystal Input Capacitance <sup>1</sup>	$C_{inx}$	X1 (Pin 1) X2 (Pin 8)	-	3.0	-	pF

**Note 1:** Parameter is guaranteed by design and characterization. Not 100% tested in production.



8-Pin Plastic SOIC Package

### Ordering Information

ICS9112M-41/42

Example:

**ICS XXXX M-PPP**

