



## NT3960

### TFT LCD Source Driver

#### Features

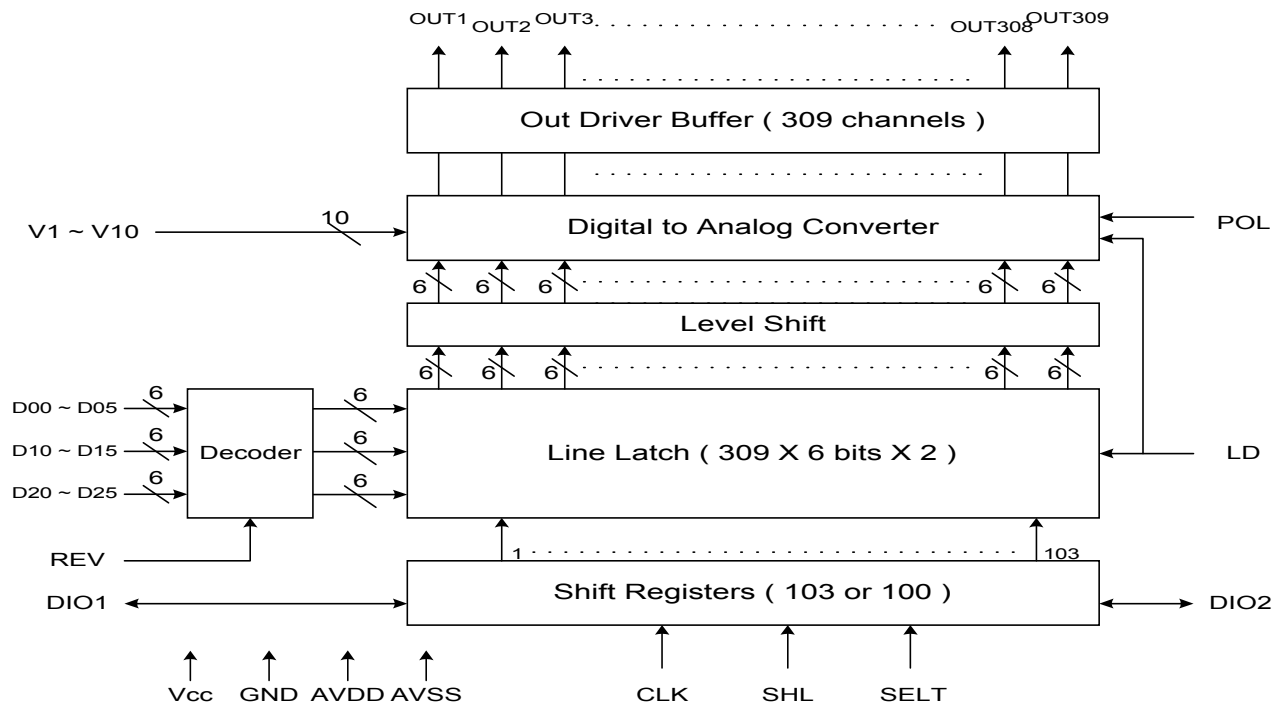
- Output : 300/309 output channels
- 6-bit resolution /64 gray scale
- Dot inversion with polarity control
- V1 ~ V10 for adjusting Gamma correction
- Power for analog circuit : 6.5 ~ 10V
- Output dynamic range : 0.1 ~ AVDD-0.1V
- Power consumption of analog circuit : 2.5mA
- Power for interface circuit : 3.0 ~ 3.6V
- Operating frequency : 65MHz
- Output deviation : 10 ~ 20mV
- Data inverting for reducing EMI
- Cascade function with bi-direction shift control
- CMOS silicon gate ( p-type substrate )
- COG

#### General Description

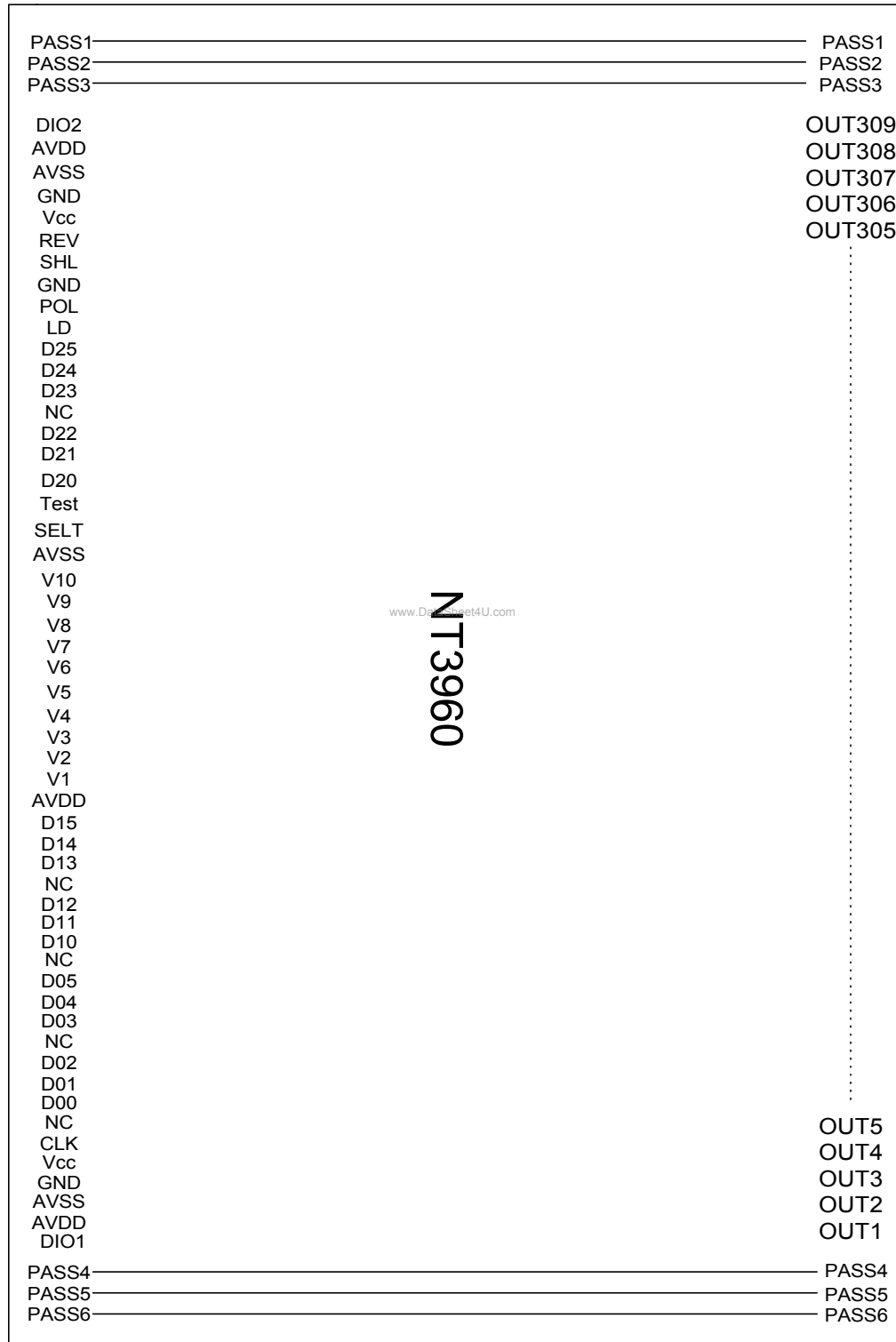
NT3960 is a data driver IC for a color TFT LCD panel. The channel number of 300 or 309 outputs is selectable for SVGA and XGA applications. For better performance, dot inversion and a wide range voltage output, 6.5~10V, are designed in this chip and for reducing EMI, data inversion control is used. This chip also supplies 10 sections of voltage-reference for Gamma correction.

#### Block Diagram

www.DataSheet4U.com



**Pin Configuration (IC face view)**



**Pad Description**

Pad No.	Designation	I/O	Description												
132~140,142~150, 112~120,122~130, 47~55, 57~65	D05 ~ D00 D15 ~ D10 D25 ~ D20	I	Data input. For three 6-bit data, 1 pixel, of color data (R, G, B) DX5 : MSB; DX0 : LSB												
31 ~ 34	REV	I	Controls whether data is inverted or not. When "REV"=1 the data will be inverted. EX. "00" → "3F", "07" → "38", "15" → "2A", and so on.												
152 ~ 155	CLK	I	Clock signal; latching data onto the line latches at the rising edge.												
69 ~ 71	SELT	I	Selects the output channel number; when SELT= "0" : 309 channels; and "1" = 300 channels (OUT151~ OUT159 are in-available ). There is a 100K internal pull-up resistor with this pin.												
106 ~ 77	V1 ~ V10	I	Gamma correction reference voltage. The voltage of these pins must be AVSS<V10< V9< V8<V7<V6; V5<V4<V3<V2<V1< AVDD												
189 ~ 497	OUT1 ~ OUT309	O	Output drive signals; If 300-channel function is selected, OUT151~ OUT159 are in-available.												
35 ~ 37	SHL	I	Selects left or right shift; SHL="1" : DIO1→OUT1,2,3→OUT4,5,6→OUT7,8,9---→OUT307,308,309= DIO2 SHL="0" : DIO1=OUT1,2,3←OUT4,5,6←OUT7,8,9←--- OUT307,308,309←DIO2 <table border="1" data-bbox="646 1052 1247 1184"> <thead> <tr> <th>SHL</th> <th>DIO1</th> <th>DIO2</th> <th>SHIFT</th> </tr> </thead> <tbody> <tr> <td>1</td> <td>Input</td> <td>Output</td> <td>Right</td> </tr> <tr> <td>0</td> <td>Output</td> <td>Input</td> <td>Left</td> </tr> </tbody> </table>	SHL	DIO1	DIO2	SHIFT	1	Input	Output	Right	0	Output	Input	Left
SHL	DIO1	DIO2	SHIFT												
1	Input	Output	Right												
0	Output	Input	Left												
176 ~ 178 8 ~ 10	DIO1 DIO2□	I/O	Start pulse signal input/output When SHL is applied high (SHL="1"), a start high-pulse on DIO1 is latched at the rising edge of the CLK. Then the data are latched serially onto internal latches at the rising edge of the CLK. After all line latches are full with data, 100/103 clocks, a pulse is shifted out through the DIO2 pin at the rising edge of the CLK. This function can cascade two or more devices for dot expansion. In normal applications, the DIO2 signal of the first device is connected to the DIO1 of the second stage, and the DIO2 of the second one is connected to the DIO1 of the third, and so on like a daisy chain. In contrast, when SHL is applied low, a start pulse inputs on DIO2, and outputs through DIO1.  *Remark : The input pulse-width of DIO1/2 may be over 1 clock-cycle.												
44 ~ 46	LD	I	Latches the polarity of outputs and switches the new data to outputs. 1. At the rising edge, latches the "POL" signal to control the polarity of the outputs. 2. The pin also controls the switch of the line registers that switches the new incoming data to outputs.  *Remark : The LD may switch the new data to outputs at anytime even if the line data are not completely full.												

**Pad Description (continued)**

Pad No.	Designation	I/O	Description
41 ~ 43	POL	I	<p>Polarity select for the dot-inversion control. Available at the rising edge of LD</p> <p>“POL” value is latched at the rising edge of “LD” to control the polarity of the even or odd outputs. “POL=1” represents that the next-line odd outputs are of positive polarity with a voltage output range from V1~V5, and even outputs are of negative polarity with a voltage output range from V6 to V10. On the other hand, if LD gets low level “POL”, odd outputs are of negative polarity and even outputs are of positive.</p> <p>POL=1: Odd outputs range from V1 ~ V5 Even outputs range from V6 ~ V10</p> <p>POL=0: Odd outputs range from V6 ~ V10 Even outputs range from V1 ~ V5</p> <p>*Remark: Pay attention to the polarity when selecting the 300-channel function. The polarity of OUT160 ~OUT309 must be changed. (The polarity needs to be continuous, +, -, +, -, +, -, etc. If you don't change the polarity, it will not be continuous between OUT150 and OUT160 when selecting the 300-channel function. )</p>
11~15, 107~111, 171~175	AVDD	I	Power supply for analog circuits ; 6.5 ~ 10V
16 ~ 20, 72 ~ 76, 166 ~ 170	AVSS	I	Ground pins for analog circuits <small>www.DataSheet4U.com</small>
26 ~ 30, 156 ~ 160	Vcc	I	Power supply for digital circuits
21 ~ 25, 38 ~ 40, 161 ~ 165	GND	I	Ground pins for digital circuits
66 ~ 68	Test	-	For testing
5~7, 500~498 179~181,188~186	PASS1~3 PASS4~6	-	The internal connected paths
501, 502	Align Mark	-	For COG assembly alignment
1~4, 182 ~ 185, 56, 121, 131, 141, 151	NC	-	No connected

**Power on/off sequence:**

This IC is a high-voltage LCD driver, so may be damaged by a large current flow when an incorrect power sequence is used. First connecting the logical power, Vcc & GND and then the drive power, AVDD&AVSS with V1~V10 as the last is the recommended sequence. When shutting off the power, first shut off the drive power and then the logic system, or turn off all power simultaneously.

**Relationship between input data and output channels**

(1) SHL="1", shift right, a start pulse from DIO1

<b>Output</b>	OUT1	OUT2	OUT3	---	OUT307	OUT308	OUT309
<b>Order</b>	First data			--->	Last data		
<b>Data</b>	D05~D00	D15~D10	D25~D20	---	D05~D00	D15~D10	D25~D20

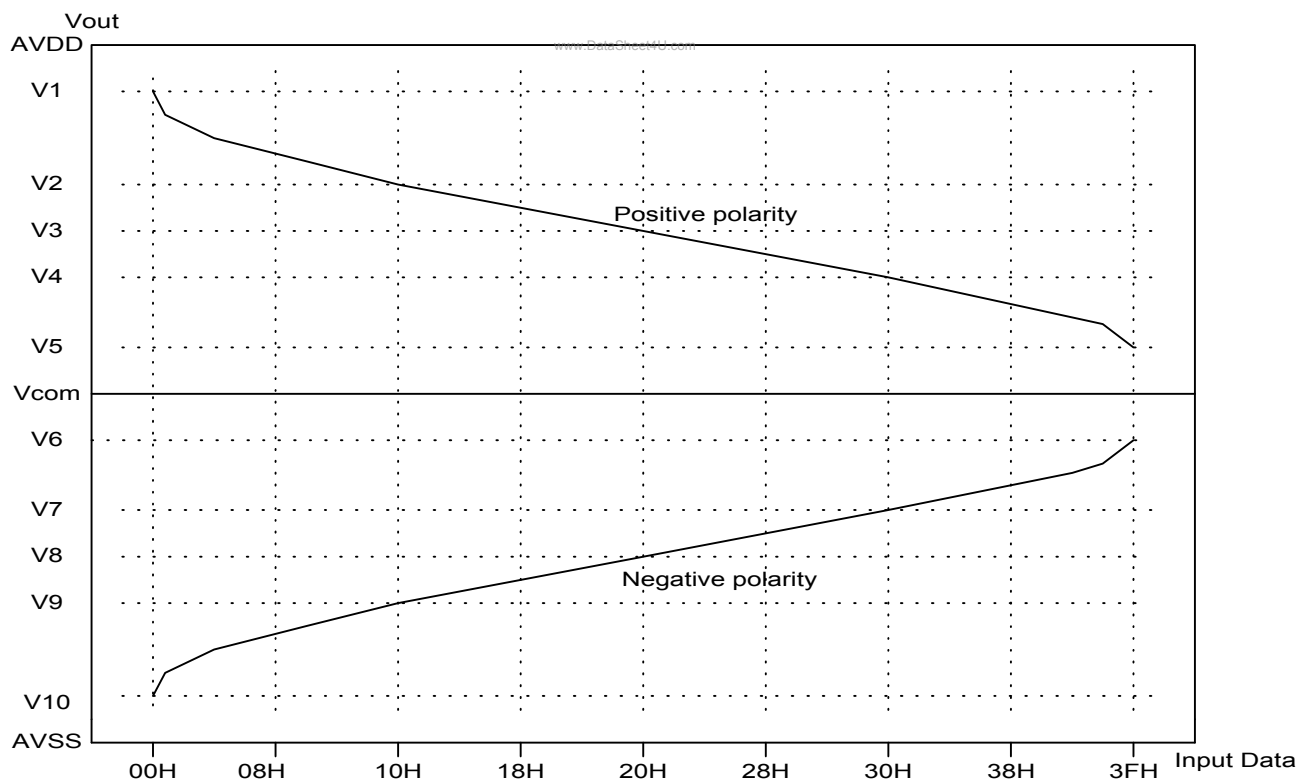
(2) SHL="0", shift left, a start pulse from DIO2

<b>Output</b>	OUT1	OUT2	OUT3	---	OUT307	OUT308	OUT309
<b>Order</b>	Last data			<---	First data		
<b>Data</b>	D05~D00	D15~D10	D25~D20	---	D05~D00	D15~D10	D25~D20

**Relationship between input data and output voltage**

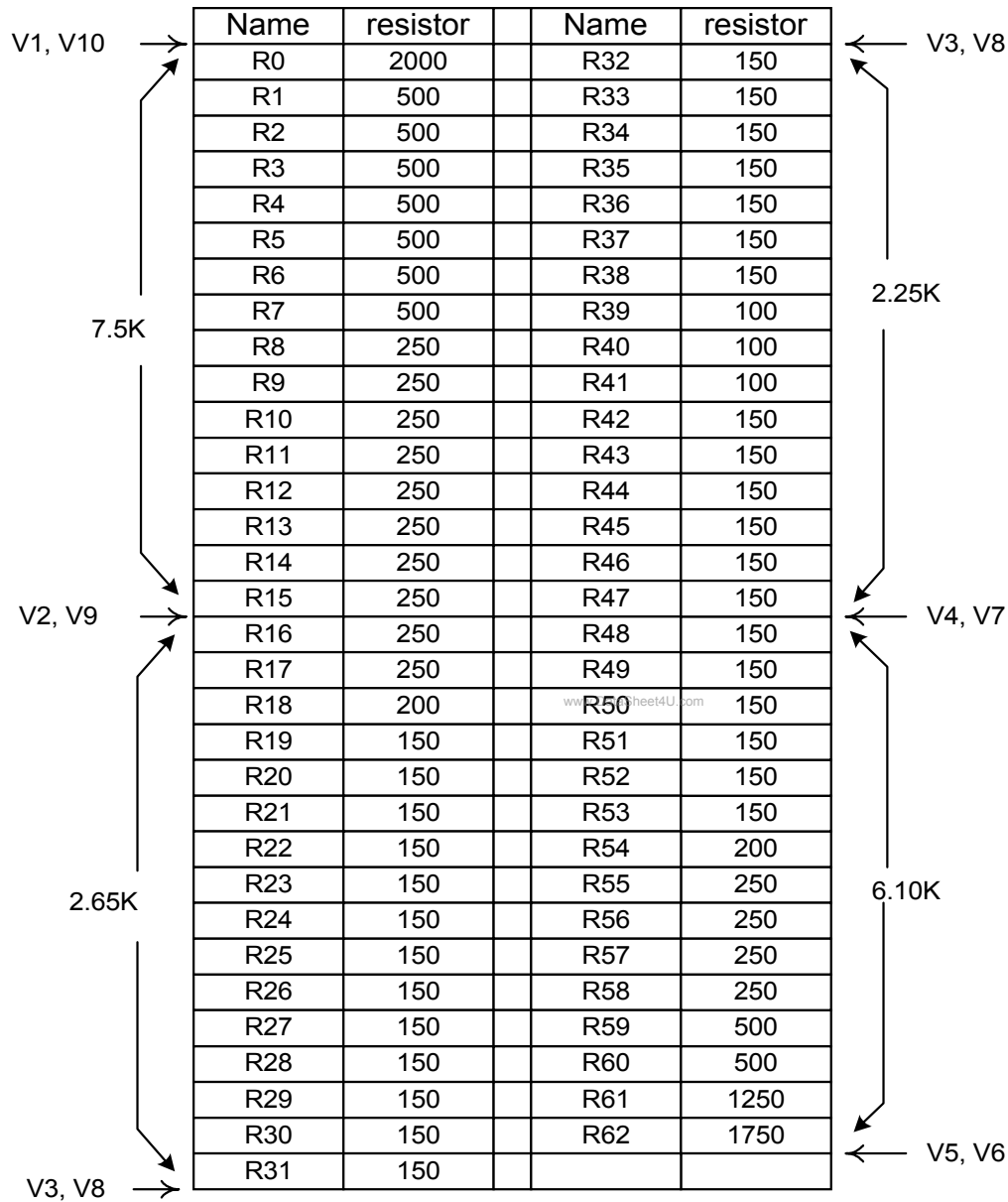
The figure below shows the relationship between the input data and the output voltage with the polarity. The range of V1~V5 is for positive polarity, and V6 ~ V10 for negative polarity. Please refer to the following pages to get the relative resistor value and voltage calculation method.

**Gamma correction diagram**



Remark :  $AVDD-0.1 \geq V1 \geq V2 \geq V3 \geq V4 \geq V5$  ;  $V6 \geq V7 \geq V8 \geq V9 \geq V10 \geq AVSS+0.1V$   
 Actual application( for reference only): AVDD=8.4V, V1=8.2V, V2=7.16V, V3=6.72V, V4=6.38V, V5=4.98V, V6=3.44V, V7=2.08V, V8=1.70V, V9=1.28V, V10=0.20V.

**Gamma correction resistor**



Total impedance,  $R_n=R_0 \sim R_{62}$ , equals 18.5K

**Output Voltage V.S. Input Data**

Data	Output Voltage ( Positive polarity )	Output Voltage ( Negative polarity )
00H	V1	V10
01H	$V2 + (V1 - V2) \times 5500/7500$	$V10 + (V9 - V10) \times 2000/7500$
02H	$V2 + (V1 - V2) \times 5000/7500$	$V10 + (V9 - V10) \times 2500/7500$
03H	$V2 + (V1 - V2) \times 4500/7500$	$V10 + (V9 - V10) \times 3000/7500$
04H	$V2 + (V1 - V2) \times 4000/7500$	$V10 + (V9 - V10) \times 3500/7500$
05H	$V2 + (V1 - V2) \times 3500/7500$	$V10 + (V9 - V10) \times 4000/7500$
06H	$V2 + (V1 - V2) \times 3000/7500$	$V10 + (V9 - V10) \times 4500/7500$
07H	$V2 + (V1 - V2) \times 2500/7500$	$V10 + (V9 - V10) \times 5000/7500$
08H	$V2 + (V1 - V2) \times 2000/7500$	$V10 + (V9 - V10) \times 5500/7500$
09H	$V2 + (V1 - V2) \times 1750/7500$	$V10 + (V9 - V10) \times 5750/7500$
0AH	$V2 + (V1 - V2) \times 1500/7500$	$V10 + (V9 - V10) \times 6000/7500$
0BH	$V2 + (V1 - V2) \times 1250/7500$	$V10 + (V9 - V10) \times 6250/7500$
0CH	$V2 + (V1 - V2) \times 1000/7500$	$V10 + (V9 - V10) \times 6500/7500$
0DH	$V2 + (V1 - V2) \times 750/7500$	$V10 + (V9 - V10) \times 6750/7500$
0EH	$V2 + (V1 - V2) \times 500/7500$	$V10 + (V9 - V10) \times 7000/7500$
0FH	$V2 + (V1 - V2) \times 250/7500$	$V10 + (V9 - V10) \times 7250/7500$
10H	V2	V9
11H	$V3 + (V2 - V3) \times 2400/2650$	$V9 + (V8 - V9) \times 250/2650$
12H	$V3 + (V2 - V3) \times 2150/2650$	$V9 + (V8 - V9) \times 500/2650$
13H	$V3 + (V2 - V3) \times 1950/2650$	$V9 + (V8 - V9) \times 700/2650$
14H	$V3 + (V2 - V3) \times 1800/2650$	$V9 + (V8 - V9) \times 850/2650$
15H	$V3 + (V2 - V3) \times 1650/2650$	$V9 + (V8 - V9) \times 1000/2650$
16H	$V3 + (V2 - V3) \times 1500/2650$	$V9 + (V8 - V9) \times 1150/2650$
17H	$V3 + (V2 - V3) \times 1350/2650$	$V9 + (V8 - V9) \times 1300/2650$
18H	$V3 + (V2 - V3) \times 1200/2650$	$V9 + (V8 - V9) \times 1450/2650$
19H	$V3 + (V2 - V3) \times 1050/2650$	$V9 + (V8 - V9) \times 1600/2650$
1AH	$V3 + (V2 - V3) \times 900/2650$	$V9 + (V8 - V9) \times 1750/2650$
1BH	$V3 + (V2 - V3) \times 750/2650$	$V9 + (V8 - V9) \times 1900/2650$
1CH	$V3 + (V2 - V3) \times 600/2650$	$V9 + (V8 - V9) \times 2050/2650$
1DH	$V3 + (V2 - V3) \times 450/2650$	$V9 + (V8 - V9) \times 2200/2650$
1EH	$V3 + (V2 - V3) \times 300/2650$	$V9 + (V8 - V9) \times 2350/2650$
1FH	$V3 + (V2 - V3) \times 150/2650$	$V9 + (V8 - V9) \times 2500/2650$
20H	V3	V8
21H	$V4 + (V3 - V4) \times 2100/2250$	$V8 + (V7 - V8) \times 150/2250$
22H	$V4 + (V3 - V4) \times 1950/2250$	$V8 + (V7 - V8) \times 300/2250$
23H	$V4 + (V3 - V4) \times 1800/2250$	$V8 + (V7 - V8) \times 450/2250$
24H	$V4 + (V3 - V4) \times 1650/2250$	$V8 + (V7 - V8) \times 600/2250$
25H	$V4 + (V3 - V4) \times 1500/2250$	$V8 + (V7 - V8) \times 750/2250$
26H	$V4 + (V3 - V4) \times 1350/2250$	$V8 + (V7 - V8) \times 900/2250$
27H	$V4 + (V3 - V4) \times 1200/2250$	$V8 + (V7 - V8) \times 1050/2250$
28H	$V4 + (V3 - V4) \times 1100/2250$	$V8 + (V7 - V8) \times 1150/2250$
29H	$V4 + (V3 - V4) \times 1000/2250$	$V8 + (V7 - V8) \times 1250/2250$
2AH	$V4 + (V3 - V4) \times 900/2250$	$V8 + (V7 - V8) \times 1350/2250$
2BH	$V4 + (V3 - V4) \times 750/2250$	$V8 + (V7 - V8) \times 1500/2250$
2CH	$V4 + (V3 - V4) \times 600/2250$	$V8 + (V7 - V8) \times 1650/2250$
2DH	$V4 + (V3 - V4) \times 450/2250$	$V8 + (V7 - V8) \times 1800/2250$
2EH	$V4 + (V3 - V4) \times 300/2250$	$V8 + (V7 - V8) \times 1950/2250$
2FH	$V4 + (V3 - V4) \times 150/2250$	$V8 + (V7 - V8) \times 2100/2250$

**Output Voltage V.S. Input Data (continued)**

<b>Data</b>	<b>Output Voltage ( Positive polarity )</b>	<b>Output Voltage ( Negative polarity )</b>
30H	V4	V7
31H	$V5 + (V4 - V5) \times 5950/6100$	$V7 + (V6 - V7) \times 150/6100$
32H	$V5 + (V4 - V5) \times 5800/6100$	$V7 + (V6 - V7) \times 300/6100$
33H	$V5 + (V4 - V5) \times 5650/6100$	$V7 + (V6 - V7) \times 450/6100$
34H	$V5 + (V4 - V5) \times 5500/6100$	$V7 + (V6 - V7) \times 600/6100$
35H	$V5 + (V4 - V5) \times 5350/6100$	$V7 + (V6 - V7) \times 750/6100$
36H	$V5 + (V4 - V5) \times 5200/6100$	$V7 + (V6 - V7) \times 900/6100$
37H	$V5 + (V4 - V5) \times 5000/6100$	$V7 + (V6 - V7) \times 1100/6100$
38H	$V5 + (V4 - V5) \times 4750/6100$	$V7 + (V6 - V7) \times 1350/6100$
39H	$V5 + (V4 - V5) \times 4500/6100$	$V7 + (V6 - V7) \times 1600/6100$
3AH	$V5 + (V4 - V5) \times 4250/6100$	$V7 + (V6 - V7) \times 1850/6100$
3BH	$V5 + (V4 - V5) \times 4000/6100$	$V7 + (V6 - V7) \times 2100/6100$
3CH	$V5 + (V4 - V5) \times 3500/6100$	$V7 + (V6 - V7) \times 2600/6100$
3DH	$V5 + (V4 - V5) \times 3000/6100$	$V7 + (V6 - V7) \times 3100/6100$
3EH	$V5 + (V4 - V5) \times 1750/6100$	$V7 + (V6 - V7) \times 4350/6100$
3FH	V5	V6

www.DataSheet4U.com



**Absolute Maximum Ratings\***

Logic supply voltage, Vcc	-0.5V to 5V
Supply voltage, AVDD	-0.5V to +11V
Supply voltage, V1~ V5	0.4AVDD ~AVDD+0.3
Supply range, V6 ~ V10	-0.3 ~ 0.6AVDD
Storage temperature	-55 <sup>o</sup> C to 100 <sup>o</sup> C
Operating temperature	-30 <sup>o</sup> C to 85 <sup>o</sup> C

**\*Comments**

Stresses above those listed under “Absolute Maximum Ratings” may cause permanent damage to the device. These are stress ratings only. Functional operation of this device at these or under any other conditions above those indicated in the operational sections of this specification are not implied and exposure to absolute maximum rating conditions for extended periods may affect device reliability.

**DC Electrical Characteristics** (Vcc =3.3V , AVDD=8.4V, AVSS=GND=0V, TA=-30<sup>o</sup>C ~85<sup>o</sup>C) (For the digital circuit)

Parameter	Symbol	Min.	Typ.	Max.	Unit	Conditions
Supply Voltage	Vcc	3	3.3	3.6	V	Digital power
Low Level Input Voltage	Vil	GND	-	0.3xVcc	V	Digital input pins
High Level Input Voltage	Vih	0.7xVcc	-	Vcc	V	Digital input pins
High Level Output Voltage	Voh	Vcc-0.4	-	-	V	DIO1, DIO2, Ioh=1mA
Low Level Output Voltage	Vol	GND	-	GND+0.4	V	DIO1, DIO2, Iol=-1mA
Input Leakage Current	Ii	-	-	±1	µA	Digital input pins, SELT exclusive
Pull-up Impedance	Rin	70K	100K	130K	ohm	SELT pin
Digital Stand-by Current	Ist	-	10	100	µA	CLK is stopped, SELT is floating
Digital Operating Current	Icc	-	1.5	4	mA	Fclk=65 MHz

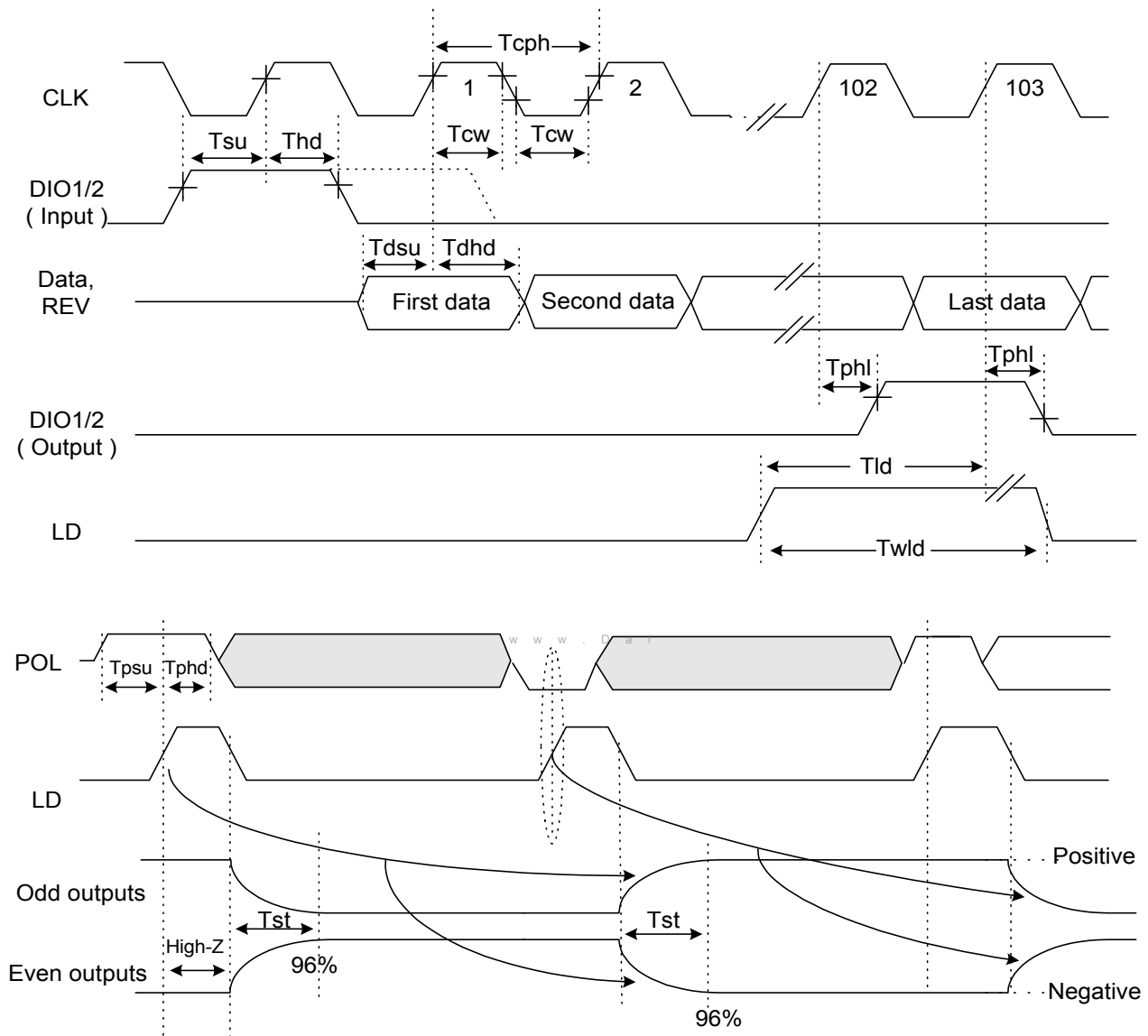
(For the analog circuit)

Parameter	Symbol	Min.	Typ.	Max.	Unit	Conditions
Supply Voltage	AVDD	6.5	8.4	10	V	For the analog circuit power
Input level of V1 ~ V5	Vref	0.4AVDD	-	AVDD-0.1	V	Gamma correction voltage
Input level of V6 ~ V10	Vref	0.1	-	0.6AVDD	V	Gamma correction voltage
Voltage Deviation of Outputs	Vvd	-	±20	±35	mV	Vo=0.1V ~ 1.5V & AVDD-1.5 ~ AVDD-0.1V
			±15	±25	mV	Vo=1.5V ~ AVDD-1.5V
Dynamic Range of Output	Vdr	0.1	-	AVDD-0.1	V	OUT1 ~ OUT309
Low-Level Output Current	IOL	-100	-150	-	µA	OUT1 ~ OUT309; Vo=0.1V V.S 1.1V
High-Level Output Current	IOH	100	200	-	µA	OUT1 ~ OUT309; Vo=8.3V V.S 7.3V
Impedance of Gamma Correction	Ri	0.8Rn	-	1.3Rn	ohm	Rn=18.5K, from V1 to V5, V6 to V10
Analog Operating Current	IDD	-	2.5	5	mA	No load, Fclk=33MHz, FLD=50KHz

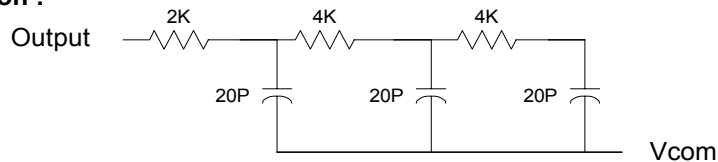
**AC Electrical Characteristics** (Vcc =3.0~3.6V , AVDD=8.4V, AVSS=GND=0V, TA= -30~85<sup>o</sup>C)

Parameter	Symbol	Min.	Typ.	Max.	Unit	Conditions
CLK frequency	Fclk	-	65	75	Mhz	Vcc=3.3V
CLK period cycle	Tcph	13	15	-	ns	
CLK pulse width	Tcw	4	-	-	ns	
DIO1/2 set-up time	Tsu	2	-	-	ns	DIO1/2 to CLK
DIO1/2 hold time	Thd	1	-	-	ns	DIO1/2 to CLK
Data set-up time	Tdsu	0	-	-	ns	D00 ~ D25 and REV to CLK
Data hold time	Tdhd	3	-	-	ns	D00 ~ D25 and REV to CLK
Propagation delay of DIO2/1	Tphl	2	-	11	ns	CL=10pF ( Output )
Time that LD leads the last data	Tld	-	-	1	Tcph	LD to the last data
Pulse width of LD	Twld	2	-	-	Tcph	
POL set-up time	Tpsu	5	-	-	ns	POL to LD
POL hold time	Tphd	2	-	-	ns	POL to LD
Output stable time	Tst	-	-	9	us	96% final value or below with 30mV precision , CL=60pF, R=10K
Output loading	CL	-	31	150	pF	

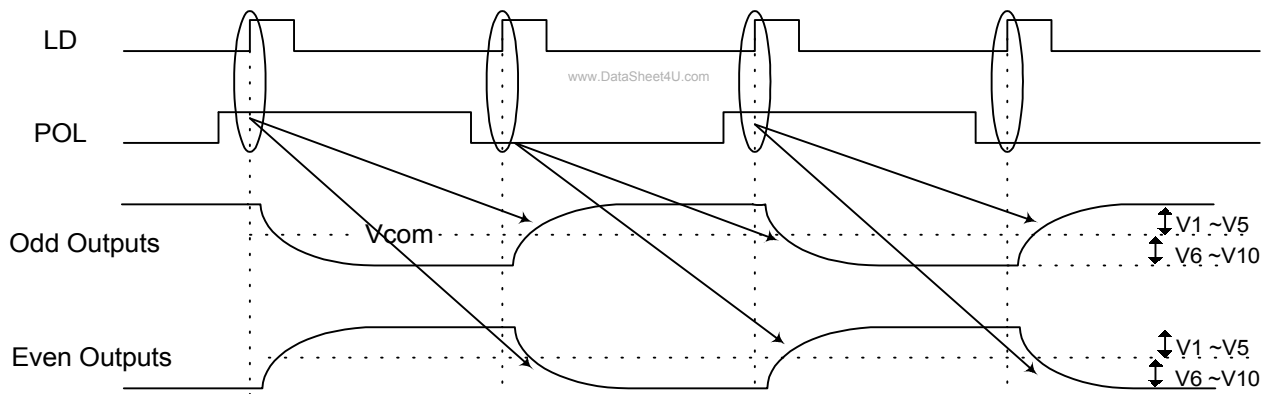
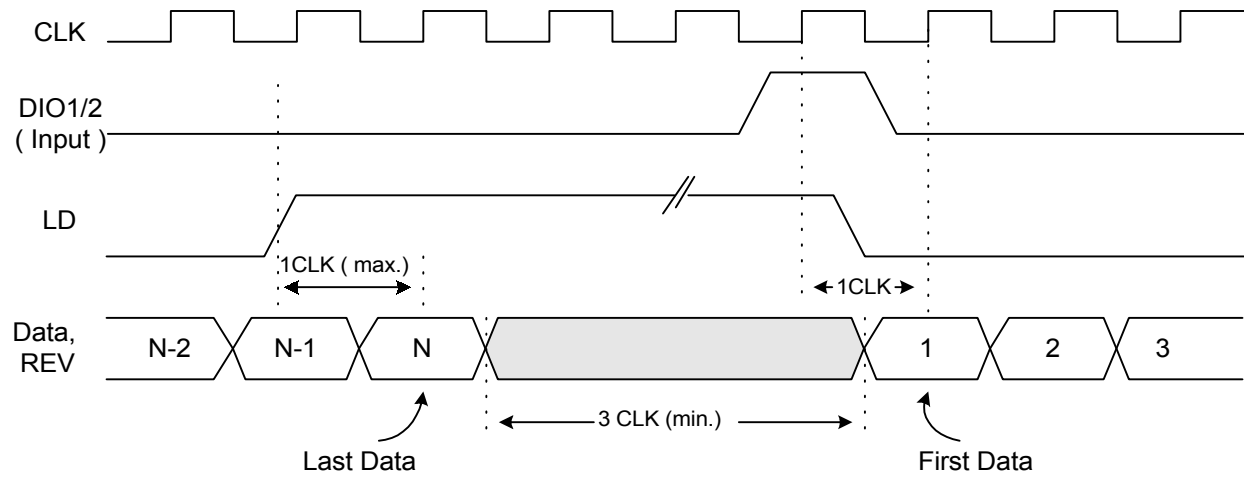
**Timing Diagram**

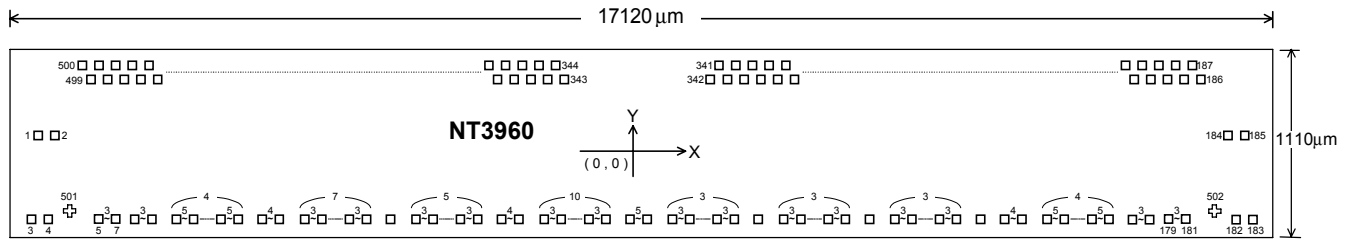


**Output load condition :**



**Function operation**



**Pad Diagram (Chip size includes the scribe line.)**


Pad No.	Designation	X	Y	Pad No.	Designation	X	Y
1	NC	-8385	221	31	REV	-5810	-427
2	NC	-8315	221	32	REV	-5740	-427
3	NC	-8430	-427	33	REV	-5670	-427
4	NC	-8360	-427	34	REV	-5600	-427
5	PASS1	-8050	-427	35	SHL	-5460	-427
6	PASS2	-7980	-427	36	SHL	-5390	-427
7	PASS3	-7910	-427	37	SHL	-5320	-427
8	DIO2	-7770	-427	38	GND	-5180	-427
9	DIO2	-7700	-427	39	GND	-5110	-427
10	DIO2	-7630	-427	40	GND	-5040	-427
11	AVDD	-7490	-427	41	POL	-4900	-427
12	AVDD	-7420	-427	42	POL	-4830	-427
13	AVDD	-7350	-427	43	POL	-4760	-427
14	AVDD	-7280	-427	44	LD	-4620	-427
15	AVDD	-7210	-427	45	LD	-4550	-427
16	AVSS	-7070	-427	46	LD	-4480	-427
17	AVSS	-7000	-427	47	D25	-4340	-427
18	AVSS	-6930	-427	48	D25	-4270	-427
19	AVSS	-6860	-427	49	D25	-4200	-427
20	AVSS	-6790	-427	50	D24	-4060	-427
21	GND	-6650	-427	51	D24	-3990	-427
22	GND	-6580	-427	52	D24	-3920	-427
23	GND	-6510	-427	53	D23	-3780	-427
24	GND	-6440	-427	54	D23	-3710	-427
25	GND	-6370	-427	55	D23	-3640	-427
26	Vcc	-6230	-427	56	NC	-3500	-427
27	Vcc	-6160	-427	57	D22	-3360	-427
28	Vcc	-6090	-427	58	D22	-3290	-427
29	Vcc	-6020	-427	59	D22	-3220	-427
30	Vcc	-5950	-427	60	D21	-3080	-427

**Pad Diagram (continued)**

Pad No.	Designation	X	Y	Pad No.	Designation	X	Y
61	D21	-3010	-427	101	V2	700	-427
62	D21	-2940	-427	102	V2	770	-427
63	D20	-2800	-427	103	V2	840	-427
64	D20	-2730	-427	104	V1	980	-427
65	D20	-2660	-427	105	V1	1050	-427
66	Test	-2520	-427	106	V1	1120	-427
67	Test	-2450	-427	107	AVDD	1260	-427
68	Test	-2380	-427	108	AVDD	1330	-427
69	SELT	-2240	-427	109	AVDD	1400	-427
70	SELT	-2170	-427	110	AVDD	1470	-427
71	SELT	-2100	-427	111	AVDD	1540	-427
72	AVSS	-1960	-427	112	D15	1680	-427
73	AVSS	-1890	-427	113	D15	1750	-427
74	AVSS	-1820	-427	114	D15	1820	-427
75	AVSS	-1750	-427	115	D14	1960	-427
76	AVSS	-1680	-427	116	D14	2030	-427
77	V10	-1540	-427	117	D14	2100	-427
78	V10	-1470	-427	118	D13	2240	-427
79	V10	-1400	-427	119	D13	2310	-427
80	V9	-1260	-427	120	D13	2380	-427
81	V9	-1190	-427	121	NC	2520	-427
82	V9	-1120	-427	122	D12	2660	-427
83	V8	-980	-427	123	D12	2730	-427
84	V8	-910	-427	124	D12	2800	-427
85	V8	-840	-427	125	D11	2940	-427
86	V7	-700	-427	126	D11	3010	-427
87	V7	-630	-427	127	D11	3080	-427
88	V7	-560	-427	128	D10	3220	-427
89	V6	-420	-427	129	D10	3290	-427
90	V6	-350	-427	130	D10	3360	-427
91	V6	-280	-427	131	NC	3500	-427
92	V5	-140	-427	132	D05	3640	-427
93	V5	-70	-427	133	D05	3710	-427
94	V5	0	-427	134	D05	3780	-427
95	V4	140	-427	135	D04	3920	-427
96	V4	210	-427	136	D04	3990	-427
97	V4	280	-427	137	D04	4060	-427
98	V3	420	-427	139	D03	4200	-427
99	V3	490	-427	139	D03	4270	-427
100	V3	560	-427	140	D03	4340	-427

**Pad Diagram (continued)**

Pad No.	Designation	X	Y	Pad No.	Designation	X	Y
141	NC	4480	-427	181	PASS6	8050	-427
142	D02	4620	-427	182	NC	8360	-427
143	D02	4690	-427	183	NC	8430	-427
144	D02	4760	-427	184	NC	8315	221
145	D01	4900	-427	185	NC	8385	221
146	D01	4970	-427	186	PASS6	8200	361
147	D01	5040	-427	187	PASS5	8150	431
148	D00	5180	-427	188	PASS4	8100	361
149	D00	5250	-427	189	OUT1	8050	431
150	D00	5320	-427	190	OUT2	8000	361
151	NC	5460	-427	191	OUT3	7950	431
152	CLK	5600	-427	192	OUT4	7900	361
153	CLK	5670	-427	193	OUT5	7850	431
154	CLK	5740	-427	194	OUT6	7800	361
155	CLK	5810	-427	195	OUT7	7750	431
156	Vcc	5950	-427	196	OUT8	7700	361
157	Vcc	6020	-427	197	OUT9	7650	431
158	Vcc	6090	-427	198	OUT10	7600	361
159	Vcc	6160	-427	199	OUT11	7550	431
160	Vcc	6230	-427	200	OUT12	7500	361
161	GND	6370	-427	201	OUT13	7450	431
162	GND	6440	-427	202	OUT14	7400	361
163	GND	6510	-427	203	OUT15	7350	431
164	GND	6580	-427	204	OUT16	7300	361
165	GND	6650	-427	205	OUT17	7250	431
166	AVSS	6790	-427	206	OUT18	7200	361
167	AVSS	6860	-427	207	OUT19	7150	431
168	AVSS	6930	-427	208	OUT20	7100	361
169	AVSS	7000	-427	209	OUT21	7050	431
170	AVSS	7070	-427	210	OUT22	7000	361
171	AVDD	7210	-427	211	OUT23	6950	431
172	AVDD	7280	-427	212	OUT24	6900	361
173	AVDD	7350	-427	213	OUT25	6850	431
174	AVDD	7420	-427	214	OUT26	6800	361
175	AVDD	7490	-427	215	OUT27	6750	431
176	DIO1	7630	-427	216	OUT28	6700	361
177	DIO1	7700	-427	217	OUT29	6650	431
178	DIO1	7770	-427	218	OUT30	6600	361
179	PASS4	7910	-427	219	OUT31	6550	431
180	PASS5	7980	-427	220	OUT32	6500	361

**Pad Diagram (continued)**

Pad No.	Designation	X	Y	Pad No.	Designation	X	Y
221	OUT33	6450	431	261	OUT73	4450	431
222	OUT34	6400	361	262	OUT74	4400	361
223	OUT35	6350	431	263	OUT75	4350	431
224	OUT36	6300	361	264	OUT76	4300	361
225	OUT37	6250	431	265	OUT77	4250	431
226	OUT38	6200	361	266	OUT78	4200	361
227	OUT39	6150	431	267	OUT79	4150	431
228	OUT40	6100	361	268	OUT80	4100	361
229	OUT41	6050	431	269	OUT81	4050	431
230	OUT42	6000	361	270	OUT82	4000	361
231	OUT43	5950	431	271	OUT83	3950	431
232	OUT44	5900	361	272	OUT84	3900	361
233	OUT45	5850	431	273	OUT85	3850	431
234	OUT46	5800	361	274	OUT86	3800	361
235	OUT47	5750	431	275	OUT87	3750	431
236	OUT48	5700	361	276	OUT88	3700	361
237	OUT49	5650	431	277	OUT89	3650	431
238	OUT50	5600	361	278	OUT90	3600	361
239	OUT51	5550	431	279	OUT91	3550	431
240	OUT52	5500	361	280	OUT92	3500	361
241	OUT53	5450	431	281	OUT93	3450	431
242	OUT54	5400	361	282	OUT94	3400	361
243	OUT55	5350	431	283	OUT95	3350	431
244	OUT56	5300	361	284	OUT96	3300	361
245	OUT57	5250	431	285	OUT97	3250	431
246	OUT58	5200	361	286	OUT98	3200	361
247	OUT59	5150	431	287	OUT99	3150	431
248	OUT60	5100	361	288	OUT100	3100	361
249	OUT61	5050	431	289	OUT101	3050	431
250	OUT62	5000	361	290	OUT102	3000	361
251	OUT63	4950	431	291	OUT103	2950	431
252	OUT64	4900	361	292	OUT104	2900	361
253	OUT65	4850	431	293	OUT105	2850	431
254	OUT66	4800	361	294	OUT106	2800	361
255	OUT67	4750	431	295	OUT107	2750	431
256	OUT68	4700	361	296	OUT108	2700	361
257	OUT69	4650	431	297	OUT109	2650	431
258	OUT70	4600	361	298	OUT110	2600	361
259	OUT71	4550	431	299	OUT111	2550	431
260	OUT72	4500	361	300	OUT112	2500	361

**Pad Diagram (continued)**

Pad No.	Designation	X	Y	Pad No.	Designation	X	Y
301	OUT113	2450	431	341	OUT153	450	431
302	OUT114	2400	361	342	OUT154	400	361
303	OUT115	2350	431	343	OUT155	-350	361
304	OUT116	2300	361	344	OUT156	-400	431
305	OUT117	2250	431	345	OUT157	-450	361
306	OUT118	2200	361	346	OUT158	-500	431
307	OUT119	2150	431	347	OUT159	-550	361
308	OUT120	2100	361	348	OUT160	-600	431
309	OUT121	2050	431	349	OUT161	-650	361
310	OUT122	2000	361	350	OUT162	-700	431
311	OUT123	1950	431	351	OUT163	-750	361
312	OUT124	1900	361	352	OUT164	-800	431
313	OUT125	1850	431	353	OUT165	-850	361
314	OUT126	1800	361	354	OUT166	-900	431
315	OUT127	1750	431	355	OUT167	-950	361
316	OUT128	1700	361	356	OUT168	-1000	431
317	OUT129	1650	431	357	OUT169	-1050	361
318	OUT130	1600	361	358	OUT170	-1100	431
319	OUT131	1550	431	359	OUT171	-1150	361
320	OUT132	1500	361	360	OUT172	-1200	431
321	OUT133	1450	431	361	OUT173	-1250	361
322	OUT134	1400	361	362	OUT174	-1300	431
323	OUT135	1350	431	363	OUT175	-1350	361
324	OUT136	1300	361	364	OUT176	-1400	431
325	OUT137	1250	431	365	OUT177	-1450	361
326	OUT138	1200	361	366	OUT178	-1500	431
327	OUT139	1150	431	367	OUT179	-1550	361
328	OUT140	1100	361	368	OUT180	-1600	431
329	OUT141	1050	431	369	OUT181	-1650	361
330	OUT142	1000	361	370	OUT182	-1700	431
331	OUT143	950	431	371	OUT183	-1750	361
332	OUT144	900	361	372	OUT184	-1800	431
333	OUT145	850	431	373	OUT185	-1850	361
334	OUT146	800	361	374	OUT186	-1900	431
335	OUT147	750	431	375	OUT187	-1950	361
336	OUT148	700	361	376	OUT188	-2000	431
337	OUT149	650	431	377	OUT189	-2050	361
338	OUT150	600	361	378	OUT190	-2100	431
339	OUT151	550	431	379	OUT191	-2150	361
340	OUT152	500	361	380	OUT192	-2200	431



**Pad Diagram (continued)**

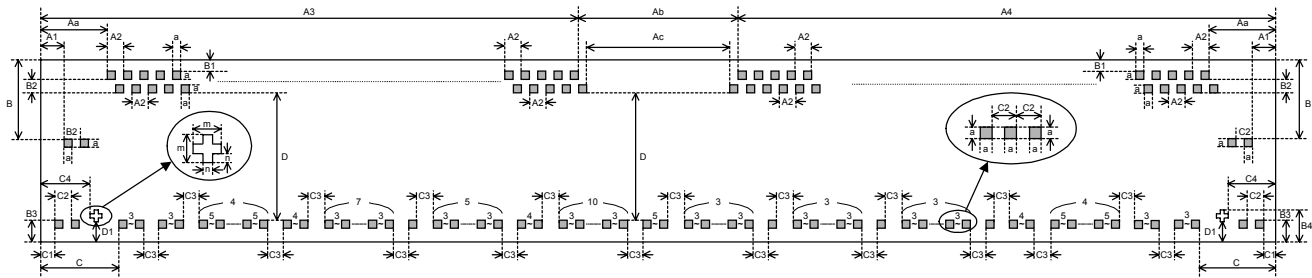
Pad No.	Designation	X	Y	Pad No.	Designation	X	Y
381	OUT193	-2250	361	421	OUT233	-4250	361
382	OUT194	-2300	431	422	OUT234	-4300	431
383	OUT195	-2350	361	423	OUT235	-4350	361
384	OUT196	-2400	431	424	OUT236	-4400	431
385	OUT197	-2450	361	425	OUT237	-4450	361
386	OUT198	-2500	431	426	OUT238	-4500	431
387	OUT199	-2550	361	427	OUT239	-4550	361
388	OUT200	-2600	431	428	OUT240	-4600	431
389	OUT201	-2650	361	429	OUT241	-4650	361
390	OUT202	-2700	431	430	OUT242	-4700	431
391	OUT203	-2750	361	431	OUT243	-4750	361
392	OUT204	-2800	431	432	OUT244	-4800	431
393	OUT205	-2850	361	433	OUT245	-4850	361
394	OUT206	-2900	431	434	OUT246	-4900	431
395	OUT207	-2950	361	435	OUT247	-4950	361
396	OUT208	-3000	431	436	OUT248	-5000	431
397	OUT209	-3050	361	437	OUT249	-5050	361
398	OUT210	-3100	431	438	OUT250	-5100	431
399	OUT211	-3150	361	439	OUT251	-5150	361
400	OUT212	-3200	431	440	OUT252	-5200	431
401	OUT213	-3250	361	441	OUT253	-5250	361
402	OUT214	-3300	431	442	OUT254	-5300	431
403	OUT215	-3350	361	443	OUT255	-5350	361
404	OUT216	-3400	431	444	OUT256	-5400	431
405	OUT217	-3450	361	445	OUT257	-5450	361
406	OUT218	-3500	431	446	OUT258	-5500	431
407	OUT219	-3550	361	447	OUT259	-5550	361
408	OUT220	-3600	431	448	OUT260	-5600	431
409	OUT221	-3650	361	449	OUT261	-5650	361
410	OUT222	-3700	431	450	OUT262	-5700	431
411	OUT223	-3750	361	451	OUT263	-5750	361
412	OUT224	-3800	431	452	OUT264	-5800	431
413	OUT225	-3850	361	453	OUT265	-5850	361
414	OUT226	-3900	431	454	OUT266	-5900	431
415	OUT227	-3950	361	455	OUT267	-5950	361
416	OUT228	-4000	431	456	OUT268	-6000	431
417	OUT229	-4050	361	457	OUT269	-6050	361
418	OUT230	-4100	431	458	OUT270	-6100	431
419	OUT231	-4150	361	459	OUT271	-6150	361
420	OUT232	-4200	431	460	OUT272	-6200	431

**Pad Diagram (continued)**

Pad No.	Designation	X	Y	Pad No.	Designation	X	Y
461	OUT273	-6250	361	482	OUT294	-7300	431
462	OUT274	-6300	431	483	OUT295	-7350	361
463	OUT275	-6350	361	484	OUT296	-7400	431
464	OUT276	-6400	431	485	OUT297	-7450	361
465	OUT277	-6450	361	486	OUT298	-7500	431
466	OUT278	-6500	431	487	OUT299	-7550	361
467	OUT279	-6550	361	488	OUT300	-7600	431
468	OUT280	-6600	431	489	OUT301	-7650	361
469	OUT281	-6650	361	490	OUT302	-7700	431
470	OUT282	-6700	431	491	OUT303	-7750	361
471	OUT283	-6750	361	492	OUT304	-7800	431
472	OUT284	-6800	431	493	OUT305	-7850	361
473	OUT285	-6850	361	494	OUT306	-7900	431
474	OUT286	-6900	431	495	OUT307	-7950	361
475	OUT287	-6950	361	496	OUT308	-8000	431
476	OUT288	-7000	431	497	OUT309	-8050	361
477	OUT289	-7050	361	498	PASS3	-8100	431
478	OUT290	-7100	431	499	PASS2	-8150	361
479	OUT291	-7150	361	500	PASS1	-8200	431
480	OUT292	-7200	431	501	Align Mark	-8230	-379
481	OUT293	-7250	361	502	Align Mark	8230	-379

**Chip Outline Dimensions (Bump size)**

unit:  $\mu\text{m}$



Symbol	Dimensions in $\mu\text{m}$	Symbol	Dimensions in $\mu\text{m}$
A1	148.5	B4	221
A2	100	C	483.5
A3	8186.5	C1	103.5
A4	8136.5	C2	70
Aa	333.5	C3	87
Ab	797	C4	285
Ac	697	D	735
B	307.5	D1	131
B1	97.5	a	53
B2	70	m	90
B3	154.5	n	30

**The information of version change**

Item	Version 0.2	Version 1.0	Spec. page
AVDD	6.5~11V	6.5~10 V	1, 3, 9
Voltage Deviation of Output 0.1~1.5 & AVDD-0.1~AVDD-1.5V 1.5V ~ AVDD-1.5V	Typ. Max. $\pm 10$ $\pm 20$ $\pm 5$ $\pm 10$	Typ. Max. $\pm 20$ $\pm 35$ $\pm 15$ $\pm 25$	9
Data set-up time/ hold time	Tsu=2nS, Thd=1nS ( base on 0.5Vcc level )	Tdsu=0nS, Tdhd=3nS ( base on Vih level )	9, 10
POL set-up time/ hold time	Tpsu=10nS, Tphd : 5nS (min. )	Tpsu=5nS, Tphd : 2nS (min.)	9
Output current ( IOL, IOH)	-250/250 uA( min. )	-100/100 uA( min.)	9
Propagation delay of DIO2/1	Tphl= 7nS ( Max. )	Tphl= 11nS ( Max.)	9
Chip size	17010 X 1002 $\mu\text{m}^2$ ( scribe line exclusive)	17120 X 1110 $\mu\text{m}^2$ ( scribe line inclusive)	12, 19