



# ***PALM TECHNOLOGY CO., LTD.***

***The LCD(M) Specialist***

*CONTACT ADDRESS : 10F-1, No.392, Yu-Cheng Rd., Tso-Ying Dist.,  
KHH, Taiwan, R.O.C.  
Tel: 886-7-5587228  
Fax: 886-7-5587229  
E-mail: sales@palmtech.com.tw*

PART NO. : PMC1601H-SBLW

FOR MESSRS. : \_\_\_\_\_

## **CONTENTS**

<b><i>NO.</i></b>	<b><i>ITEM</i></b>	<b><i>PAGE</i></b>
1.	COVER	1
2.	RECORD OF REVISION	2
3.	GENERAL SPECIFICATION	3
4.	MECHANICAL DATA	3
5.	ABSOLUTE MAXIMUM RATINGS	4
6.	ELECTRICAL CHARACTERISTICS	5
7.	OPTICAL CHARACTERISTICS	5
8.	OUTLINE DIMENSION	6
9.	BLOCK DIAGRAM	7
10.	POWER SUPPLY	7



ACCEPTED BY: \_\_\_\_\_

PROPOSED BY : \_\_\_\_\_

## RECORD OF REVISION

DATE	PAGE	SUMMARY

### 3. General specifications

#### 3.1 General specifications

PLEASE REFER TO:

“CUSTOMER ACCEPTANCE STANDARD SPECIFICATIONS (MS-10-12780)”.

#### 3.2 This individual specification is prior to general specifications

### 4. Mechanical data

- (1) NUMBER OF CHARACTERS -----16 CH \* 1 LINE
- (2) MODULE SIZE-----122.0 W \* 33.0 H \* 15.0 T (Max) mm
- (3) EFFECTIVE AREA-----99.0 W \* 13.0 H mm
- (4) CHARACTER PATTERN-----5 \* 7 DOTS + CURSOR
- (5) CHARACTER SIZE -----4.84 W \* 8.06 H mm
- (6) CHARACTER PITCH -----6.0 mm
- (7) DOT SIZE -----0.92 W \* 1.10 H mm
- (8) DOT PITCH -----0.98 W \* 1.16 H mm
- (9) VIEWING DIRECTION-----6 O’CLOCK
- (10) LCD TYPE -----STN.BLUE.TRANSMISSIVE.
- (11) LED COLOR -----WHITE

## 5. Absolute maximum ratings

### 5.1 Electrical absolute maximum ratings

<i>I T E M</i>	<i>SYMBOL</i>	<i>MIN.</i>	<i>MAX.</i>	<i>UNIT</i>	<i>COMMENT</i>
POWER SUPPLY FOR LOGIC	V <sub>DD</sub> -V <sub>SS</sub>	0	6.0	V	-----
INPUT VOLTAGE	V <sub>I</sub>	V <sub>SS</sub>	V <sub>DD</sub>	V	-----
STATIC ELECTRICITY	-----	-----	100	V	NOTE (1)
POWER SUPPLY FOR LED	-----	-----	6.0	V	-----

NOTE (1): ELECTRO-STATIC DISCHARGE RESISTANCE IS TESTED BY CHARGING A 200PF CAPACITOR AND DISCHARGING IT BY CONTACT WITH A INTERFACE CONNECTOR PIN.

### 5.2 Environmental absolute maximum ratings

<i>I T E M</i>	<i>OPERATING</i>		<i>STORAGE</i>		<i>COMMENT</i>
	<i>MIN.</i>	<i>MAX.</i>	<i>MIN.</i>	<i>MAX.</i>	
AMBIENT TEMPERATURE	0°C	50°C	-20°C	70°C	-----
HUMIDITY	NOTE (2)		NOTE (2)		NO CONDENSATION
VIBRATION NOTE (3)	-----	0.5G	-----	2G	10~300Hz XYZ DIRECTIONS 1 Hr EACH
SHOCK NOTE (3)	-----	3G	-----	50G	10 msec XYZ DIRECTIONS 1 TIME EACH
CORROSIVE GAS	NOT ACCEPTABLE		NOT ACCEPTABLE		-----

NOTE (2) : Ta ≤ 50°C: 90% RH MAX.

Ta > 50°C: ABSOLUTE HUMIDITY MUST BE LOWER THAN THE HUMIDITY OF 90% RH AT 50°C. (80% RH AT 60°C)

NOTE (3): 1G = 9.8 m/s<sup>2</sup>

**6. Electrical characteristics** $T_a = 25^{\circ}\text{C}$   $V_{DD} = 5.0 \pm 0.25 \text{ V}$ 

<i>I T E M</i>	<i>SYMBOL</i>	<i>CONDITION</i>	<i>MIN.</i>	<i>TYP.</i>	<i>MAX.</i>	<i>UNIT</i>
INPUT VOLTAGE	$V_{IH}$	-----	2.0	-----	$V_{DD}$	V
	$V_{IL}$	-----	$V_{SS}$	-----	0.8	V
OUTPUT VOLTAGE	$V_{OH}$	$-I_{OH} = 0.2 \text{ mA}$	2.4	-----	-----	V
	$V_{OL}$	$I_{OL} = 1.6 \text{ mA}$	-----	-----	0.4	V
POWER SUPPLY CURRENT	$I_{DD}$	$V_{DD} = 5.0\text{V}$	-----	1.0	1.5	mA
RECOMMENDED LCD DRIVING VOLTAGE	$V_{DD}-V_O$ DUTY= 1/16 $\Phi=10^{\circ}$	$T_a = 0^{\circ}\text{C}$	-----	4.9	-----	V
		$T_a = 25^{\circ}\text{C}$	-----	4.5	-----	V
		$T_a = 50^{\circ}\text{C}$	-----	4.1	-----	V
POWER SUPPLY CURRENT FOR LED	$I_{LED}$	$V_{LED} = 5.0\text{V}$	-----	40	60	mA

NOTE (1): RECOMMENDED LCD DRIVING VOLTAGE MAY FLUCTUATE ABOUT  $\pm 0.5\text{V}$  BY EACH MODULE.

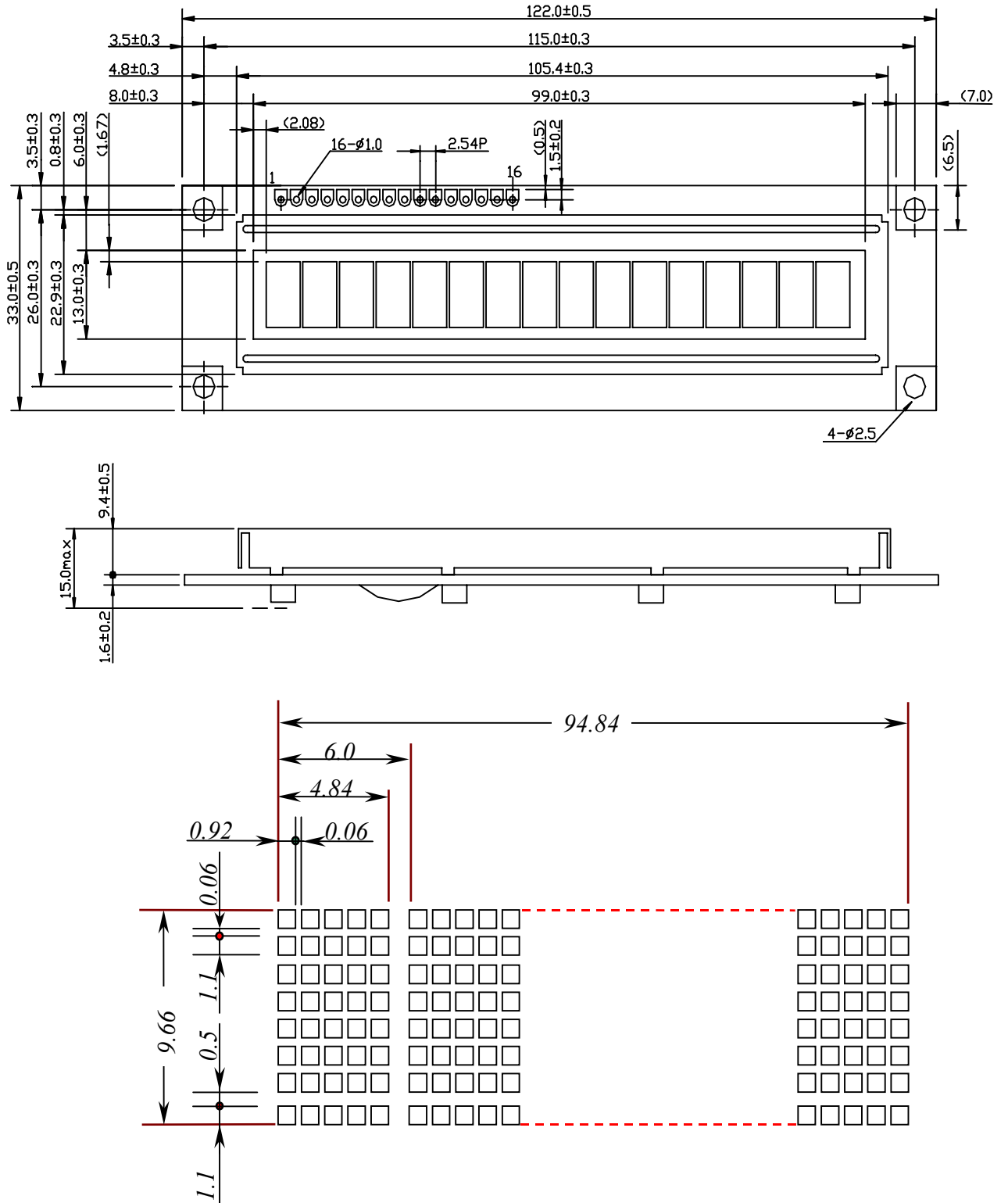
**7. Optical characteristics** $T_a = 25^{\circ}\text{C}$   $V_{DD} = 5.0\text{V}$ 

<i>I T E M</i>	<i>SYMBOL</i>	<i>CONDITION</i>	<i>MIN.</i>	<i>TYP.</i>	<i>MAX.</i>	<i>UNIT</i>	<i>NOTE</i>
VIEWING ANGLE	$\Phi 2-\Phi 1$	$K = 2.0$	30	40	-----	deg.	2
CONTRAST RATIO	K	$\Phi = 10^{\circ}$ $\theta = 0^{\circ}$	4.0	5.0	-----	-----	2
RESPONSE TIME	tr (rise)	$\Phi = 10^{\circ}$ $\theta = 0^{\circ}$	-----	200	350	ms	2
	tf (fall)	$\Phi = 10^{\circ}$ $\theta = 0^{\circ}$	-----	300	400	ms	2
BRIGHTNESS FOR LED BACKLIGHT	B	$\Phi = 0^{\circ}$ $\theta = 0^{\circ}$	6.0	-----	-----	$\text{cd/m}^2$	2,3

NOTE (2): SEE CUSTOMER ACCEPTANCE STANDARD SPECIFICATION FOR DEFINITION OF OPTICAL CHARACTERISTICS.

NOTE (3): UNDER NORMAL TEMPERATURE AND HUMIDITY IN A DARK ROOM.

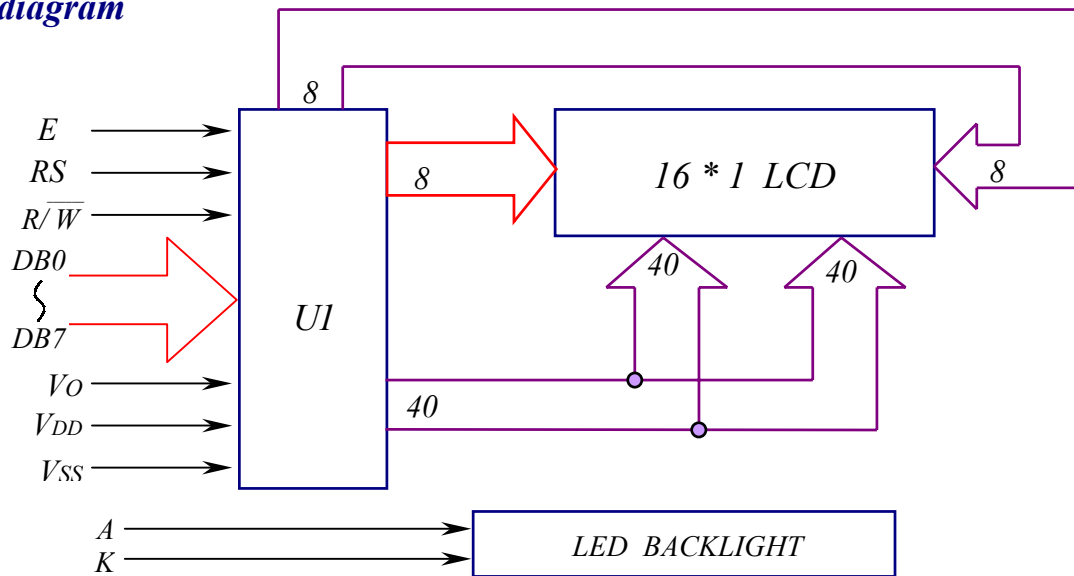
### 8. Outline dimension



#### Interface pin connection

<b>PIN NO.</b>	<b>1</b>	<b>2</b>	<b>3</b>	<b>4</b>	<b>5</b>	<b>6</b>	<b>7</b>	<b>8</b>
SYMBOL	V <sub>SS</sub>	V <sub>DD</sub>	V <sub>O</sub>	RS	R/ $\bar{W}$	E	DB0	DB1
<b>PIN NO.</b>	<b>9</b>	<b>10</b>	<b>11</b>	<b>12</b>	<b>13</b>	<b>14</b>	<b>15</b>	<b>16</b>
SYMBOL	DB2	DB3	DB4	DB5	DB6	DB7	A	K

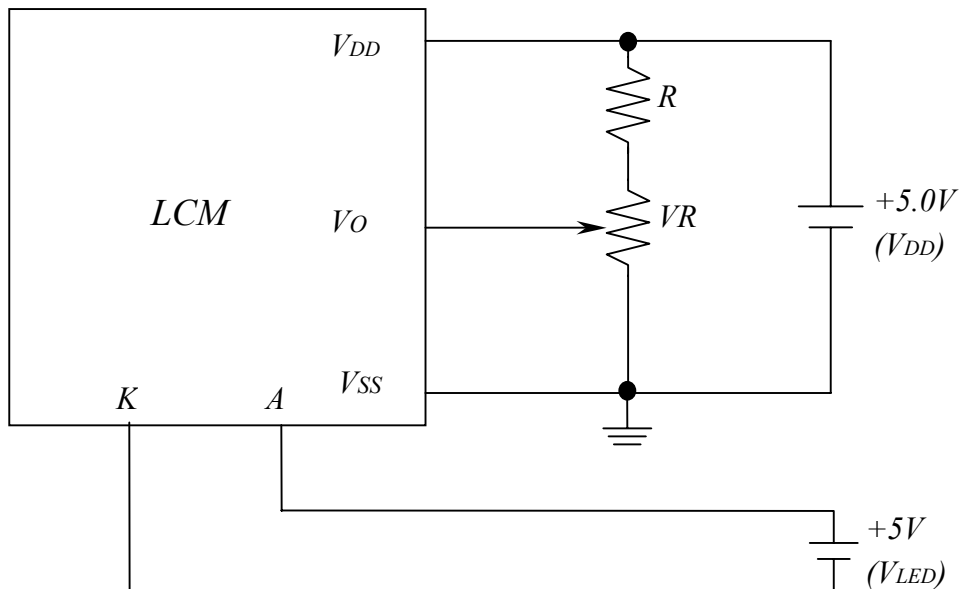
### 9 Block diagram



### Display data address charts

Character	1	2	3	4	5	6	7	8	9	10	11	12	13	14	15	16
LINE 1	00	01	02	03	04	05	06	07	08	09	0A	0B	0C	0D	0E	0F

### 10. Power supply for LCM



RECOMMENDED RESISTOR R:  $V_{DD} - V_O \geq 1.5V$

$V_{DD} - V_O$ : LCD DRIVING VOLTAGE

VR:  $10K\Omega \sim 20K\Omega$