

Type: YS-4

Product Description

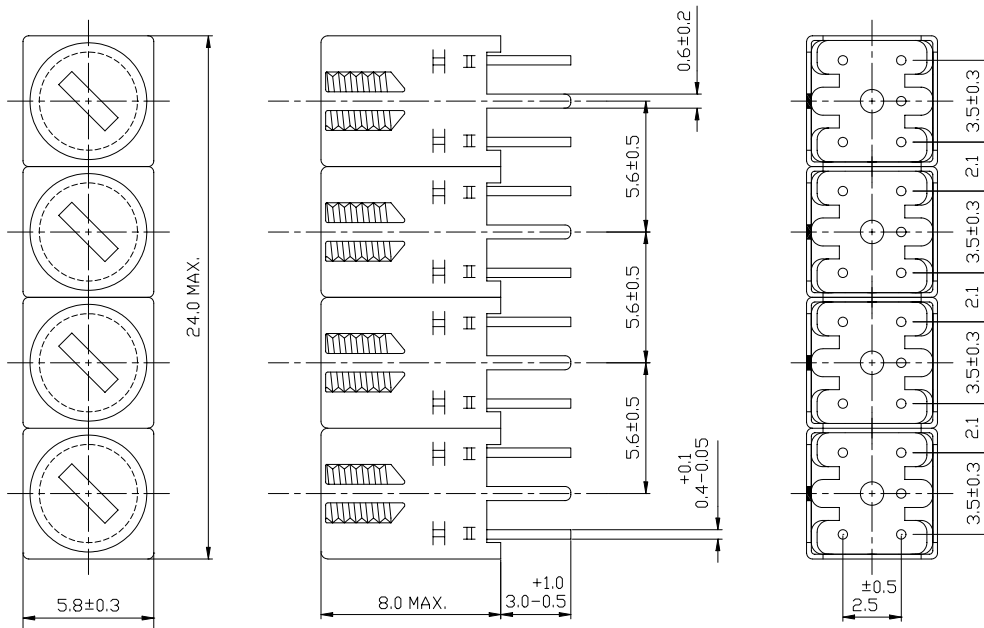
- 24.0 x 6.1mm Max.(L x W), 8.0mm Max. Height.
- Operating frequency:0.1~20MHz
- In addition to the reference versions of parameters shown here, custom designs are available to meet your exact requirements



www.DataSheet4U.com **Feature**

- Variable and/or fixed shielded type with four single coil combined.
- Two built-in chip capacitors are in one coil.
- Ideally used as video frequency LC filters for VCR, video cameras, etc. (LPF, BPF, Delay Line and Equalizers).
- Superior distortion factor.
- RoHS Compliance

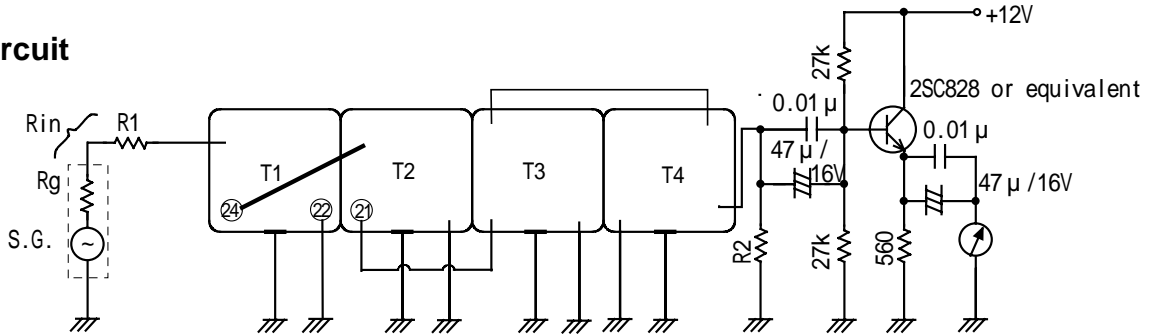
Dimensions (mm)



- * Dimension does not include solder used on coil.
- * Pin pitch should be measured at the root of terminal.

Type: YS-4

Testing circuit



$$R_{in} = R_g + R_1 = 1k$$

$$R_{out} = R_2 // 13.5k = 1k$$

$$R_2 = 1.08k$$

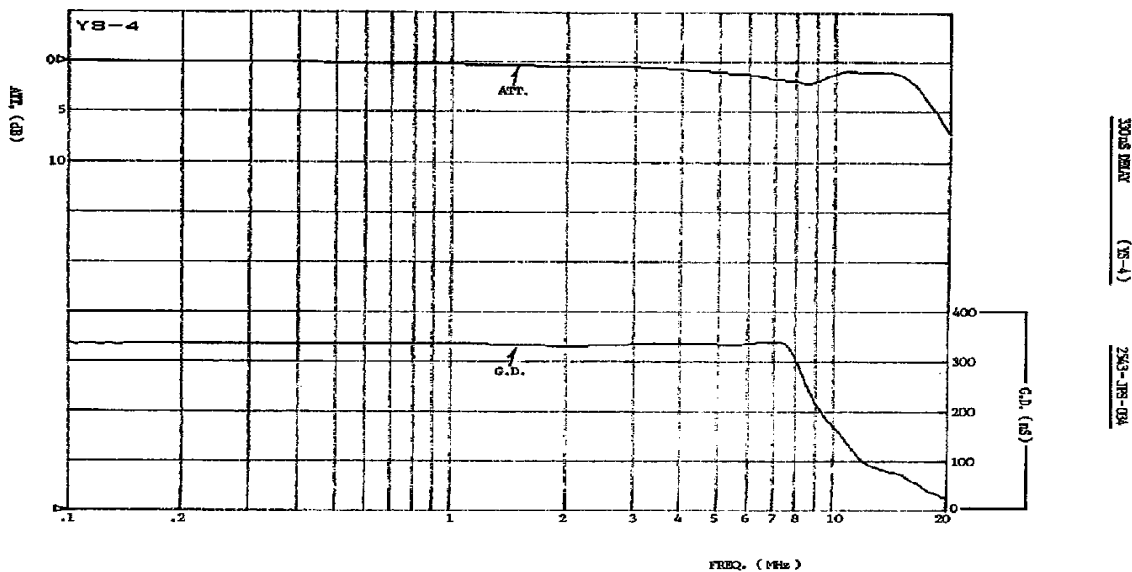
* $\text{---} \textcircled{24}$, --- , $\text{---} \textcircled{21}$ between are short.

* Terminal No.#3,#6,#8,#9,#10,#11 are floating.

Specification (Part Number: 2543-JPS-034)

Item	Specification
Input impedance (Rin)	1.0KΩ
Output impedance (Rout)	1.0KΩ
Attenuation 0.1 ~ 10MHz	4.0dB Max.
Group delay time	0.2 MHz
	1.0 MHz
	4.0 MHz
	7.5MHz
Insertion loss 0.1 MHz	1.2 dB Max.

Frequency Response (Attenuation 0dB at 0.1MHz)



Please refer to the sales offices on our website for a representative near you