

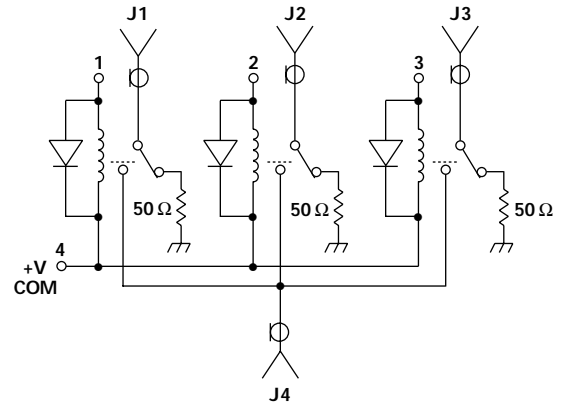
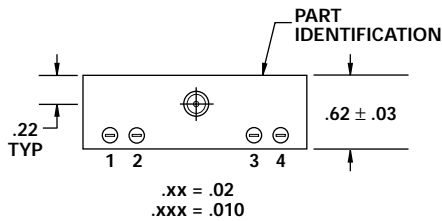
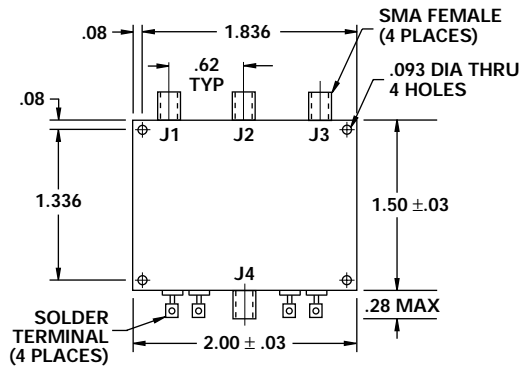
## FEATURES

- DC - 450 MHz
- 50 Ω or 75 Ω Terminations
- 20 Watts CW
- Non-Reflective
- SMA Connectors



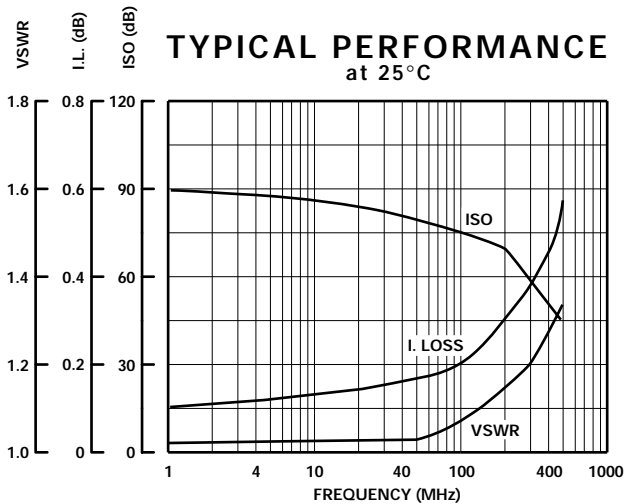
MODEL NO.  
100C0612

## SP3T Relay



## GUARANTEED PERFORMANCE

Parameter	Min	Typ	Max	Units	Conditions
Operating Frequency	DC		450	MHz	
DC Voltage					See Table
Insertion Loss		0.3	0.4	dB	DC - 250 MHz
		0.5	0.6		250 - 450 MHz
Isolation	60	64		dB	DC - 250 MHz
	45	52			250 - 450 MHz
VSWR	<i>Thru</i>	1.15/1	1.2/1		DC - 250 MHz
		1.3/1	1.4/1		250 - 450 MHz
Impedance		50		OHMS	
Switching Speed			5	mSEC	
RF Power			20	W	CW
Operating Temperature	-55	+25	+85	°C	TA



CONTROL VOLTAGE TABLE	
Voltage	Current - Typical
6	65 mA Per Throw
12	32 mA Per Throw
18	21 mA Per Throw
26	17 mA Per Throw

