

FEATURES

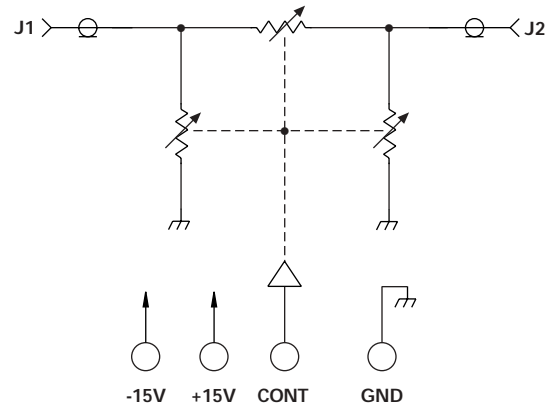
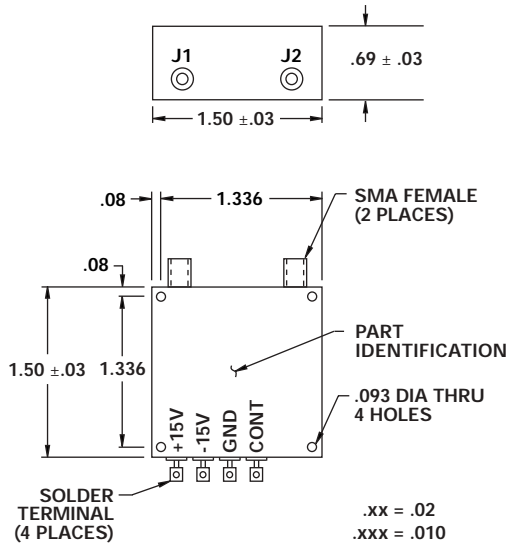
- 20 - 300 MHz
- 20 dB Linear Range
- ± 0.8 dB Linearity
- +44 dBm IP3
- 0.8 dB Insertion Loss
- SMA Connectors
- See DA0035 For DIP Version



MODEL NO.
100C0911

PIN Diode Linear VCA

VCA



GUARANTEED PERFORMANCE

Parameter	Min	Typ	Max	Units	Conditions
Operating Frequency	20		300	MHz	
DC Current		25		mA	At +15 VDC Supply At -15 VDC Supply
Control Current			1.0	mA	0 V = Insertion Loss +5 V = Max. Atten.
Insertion Loss		0.8	1.5	dB	At 0 V
Attenuation	Range	18		dB	Best Straight Line Fit From IL +1.5 dB to 18 dB At 35°C
	Slope	5	6.5	dB/V	
	Linearity		± 1	dB	
	VS Temperature		± 0.5	dB	
VSWR		1.1/1	1.25/1		
Impedance		50		OHMS	
Slew Rate			6	dB/ μ S	
RF Power	Operate		+10	dBm	
	No Damage		+20	dBm	
Operating Temperature	0	+25	+60	°C	TA

TYPICAL PERFORMANCE

Attenuation vs Control Voltage
at 25°C

