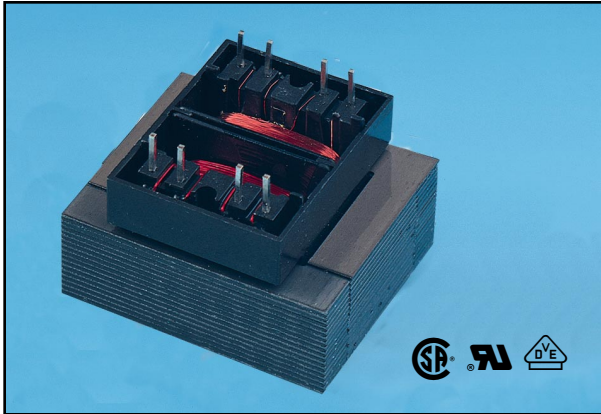


# One-4-All™ International Transformers Printed Circuit Mount



## International Standards at Lower Cost and Better Performance



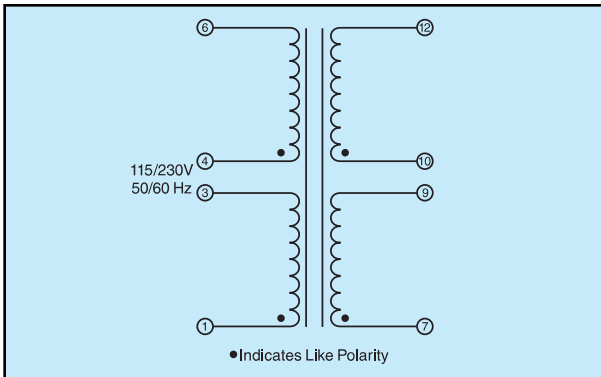
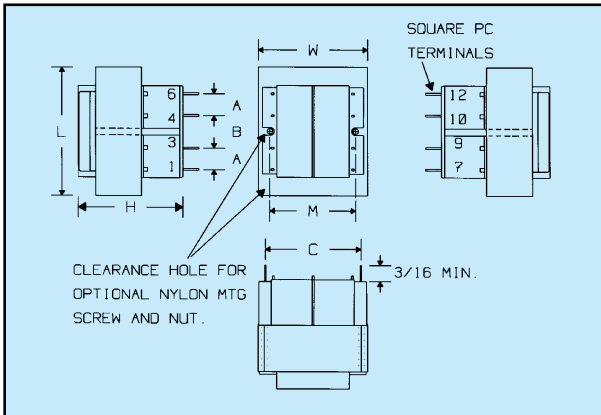
Signal's 14A transformers are used in low power applications and provide the high isolation, creepage and clearance necessary to comply with international safety standards.

### General Specifications

- **Power** – 2.5 VA to 10 VA
- **Dielectric Strength** – 4000VRMS Hipot
- **Primaries** – Dual primaries (115/230V - 50/60 Hz)
- **Secondaries** – Series or parallel secondaries
- **Electrostatic Shield** – Not necessary, split or dual bobbin construction
- **Insulation** – Class F insulation (155°C)
- **Flammability** – Bobbin and wrap around shroud material meet UL 94V0

### Agency Standards

- UL recognized to UL 506 (File #E63829)
- CSA certified to C22.2 #66 (File #LR 51265)
- VDE certified to VDE 0805 / EN 60950 (File #1446)
- VDE certified to IEC 950



Part No.	VA (Size)	Secondary RMS Rating	
		Series	Parallel
14A-2.5R-10	2.5	10VCT @ 0.25A	5V @ 0.50A
14A-5.0R-10	5.0	10VCT @ 0.50A	5V @ 1.00A
14A-10R-10	10.0	10VCT @ 1.00A	5V @ 2.00A
14A-2.5R-12	2.5	12.6VCT @ 0.20A	6.3V @ 0.40A
14A-5.0R-12	5.0	12.6VCT @ 0.40A	6.3V @ 0.80A
14A-10R-12	10.0	12.6VCT @ 0.80A	6.3V @ 1.60A
14A-2.5R-16	2.5	16VCT @ 0.15A	8V @ 0.30A
14A-5.0R-16	5.0	16VCT @ 0.31A	8V @ 0.62A
14A-10R-16	10.0	16VCT @ 0.62A	8V @ 1.25A
14A-2.5R-20	2.5	20VCT @ 0.12A	10V @ 0.24A
14A-5.0R-20	5.0	20VCT @ 0.25A	10V @ 0.50A
14A-10R-20	10.0	20VCT @ 0.50A	10V @ 1.00A
14A-2.5R-24	2.5	24VCT @ 0.10A	12V @ 0.20A
14A-5.0R-24	5.0	24VCT @ 0.21A	12V @ 0.42A
14A-10R-24	10.0	24VCT @ 0.42A	12V @ 0.84A
14A-2.5R-28	2.5	28VCT @ 0.09A	14V @ 0.18A
14A-5.0R-28	5.0	28VCT @ 0.18A	14V @ 0.36A
14A-10R-28	10.0	28VCT @ 0.36A	14V @ 0.72A
14A-2.5R-36	2.5	36VCT @ 0.07A	18V @ 0.14A
14A-5.0R-36	5.0	36VCT @ 0.14A	18V @ 0.28A
14A-10R-36	10.0	36VCT @ 0.28A	18V @ 0.56A

VA (Size)	Dimensions						Sq. Pin Dimensions	Mtg. Dim. M	Mtg. Screw		Wgt
	L	W	H	A	B	C			Size	Qty	
2.5	1.62" 41.3mm	1.43" 36.5mm	1.12" 28.6mm	0.200" 5.08mm	0.250" 6.35mm	1.000" 25.4mm	0.025" 0.635mm	1.06" 26.9mm	#4	2	0.25 lbs 0.113 kg
5.0	1.62" 41.3mm	1.43" 36.5mm	1.37" 34.9mm	0.200" 5.08mm	0.400" 10.16mm	1.000" 25.4mm	0.025" 0.635mm	1.06" 26.9mm	#4	2	0.37 lbs 0.168 kg
10.0	1.87" 47.6mm	1.56" 39.7mm	1.37" 34.9mm	0.200" 5.08mm	0.400" 10.16mm	1.140" 29.0mm	0.038" 0.965mm	1.25" 31.7mm	#4	2	0.53 lbs 0.240 kg

\*NOTE: Previously this dimension was 1.31"; now it is 1.43".

If you don't see a specific part that meets your requirement, see page 31 for our custom magnetics design data sheet.

**Signal Transformer**

CALL: 516-239-5777 • FAX: (24hrs) 516-239-7208

500 Bayview Avenue, Inwood, New York 11096