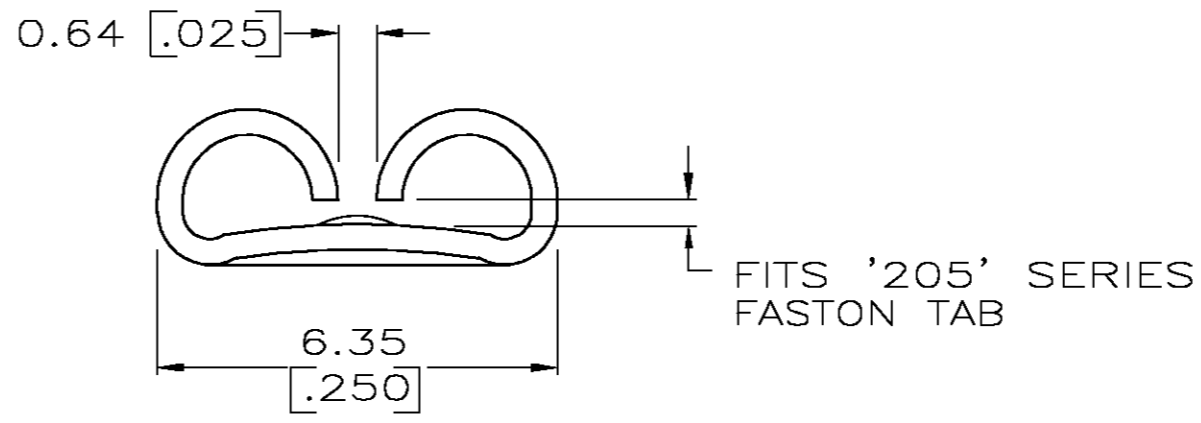
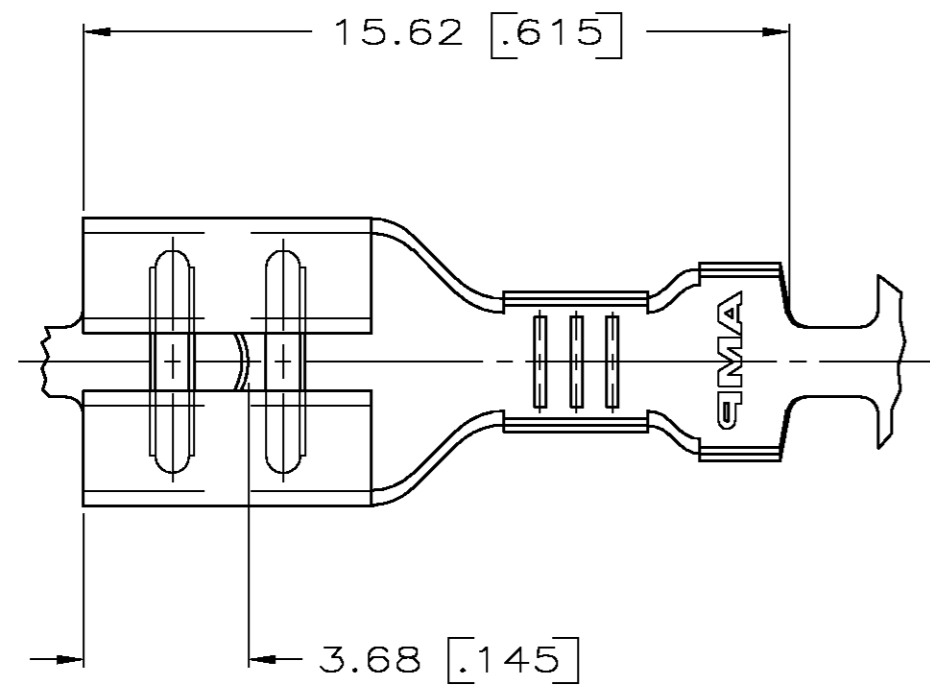


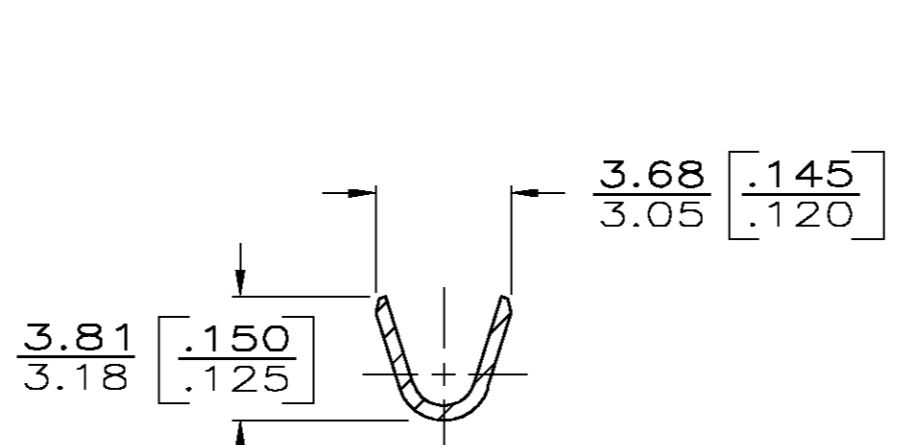
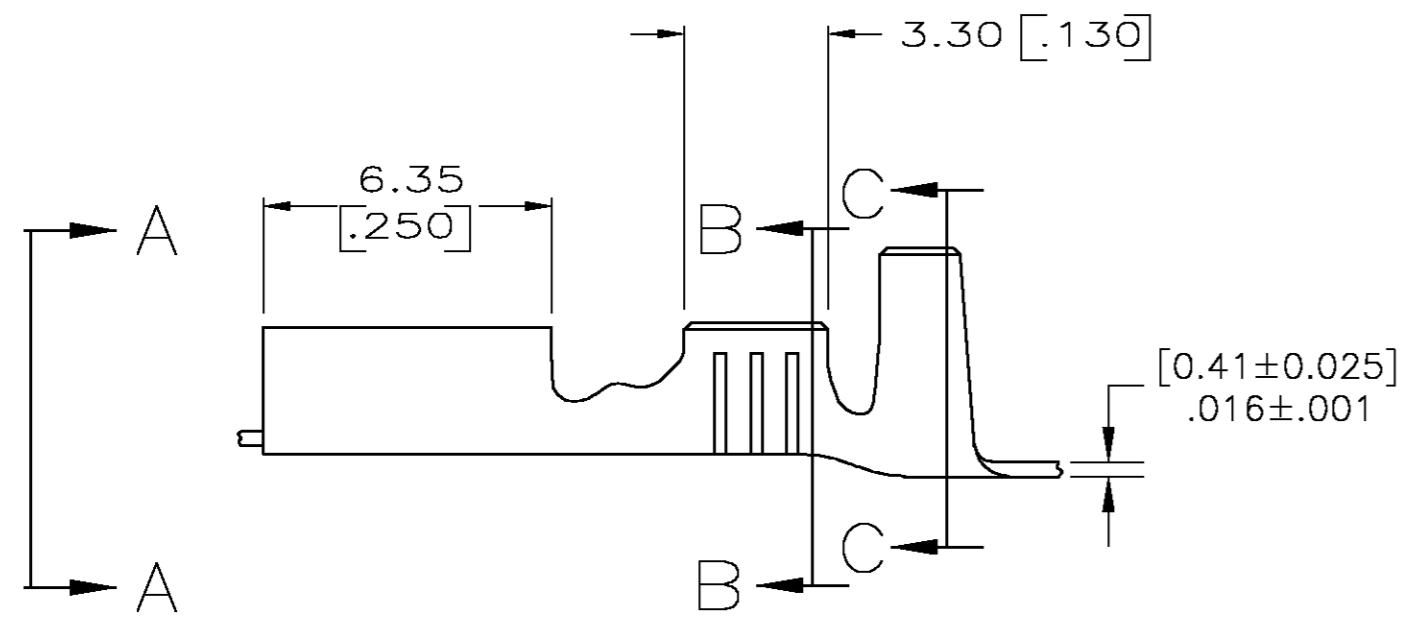
THIS DRAWING IS UNPUBLISHED. RELEASED FOR PUBLICATION  
 © COPYRIGHT BY TYCO ELECTRONICS CORPORATION. ALL RIGHTS RESERVED.

LOC		DIST		REVISIONS			
P	LTR	DESCRIPTION		DATE	DWN	APVD	
AF	50	V		REV PER OG3A-0077-03	30APR03	JR	PD

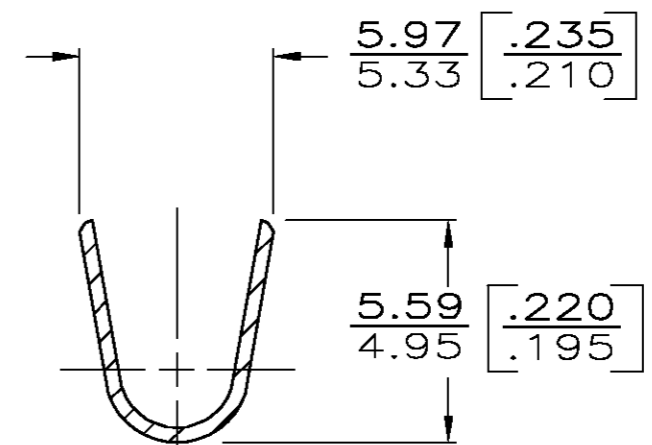
- 1 DIMENSIONS IN BRACKETS ARE IN INCHES.
- 2 CONTINUOUS STRIP ON REELS



VIEW A-A  
SCALE 8:1



SECTION B-B



SECTION C-C

3.30-4.57 [.130-.180]	0.8-2.0mm <sup>2</sup> [18-14]	-	#4 PHOS BRZ	0.81 [.032]	42233-8 OBS
		TIN	#4 PHOS BRZ		42233-7
		SILVER	#4 PHOS BRZ		42233-6
		GOLD	4M BRASS		42233-5 OBS
		GOLD	4M BRASS		42233-4 OBS
		SILVER	4M BRASS		42233-3 OBS
		TIN	4M BRASS		42233-2
		-	4M BRASS		42233-1 OBS
INSUL RANGE	WIRE SIZE	FINISH	MATERIAL	MATING TAB THK ±0.025[±.001]	PART NO

THIS DRAWING IS A CONTROLLED DOCUMENT.		DWN	JR RUTH	5/15/89	Tyco Electronics Corporation Harrisburg, PA 17105
DIMENSIONS: INCHES		CHK	MS FEHER	5/15/89	
TOLERANCES UNLESS OTHERWISE SPECIFIED:		APVD	MS FEHER	5/15/89	
0 PLC ± - 1 PLC ± - 2 PLC ± - 3 PLC ± 0.025 .010 4 PLC ± - ANGLES ± - FINISH SEE TABLE		PRODUCT SPEC APPLICATION SPEC WEIGHT -		NAME RECEPTACLE, FASTON, .205 SERIES	
MATERIAL SEE TABLE		SIZE	A2	CAGE CODE	00779
		DRAWING NO	C=42233		RESTRICTED TO
		SCALE	6:1	SHEET	1 OF 1
		CUSTOMER DRAWING		REV	V

42233