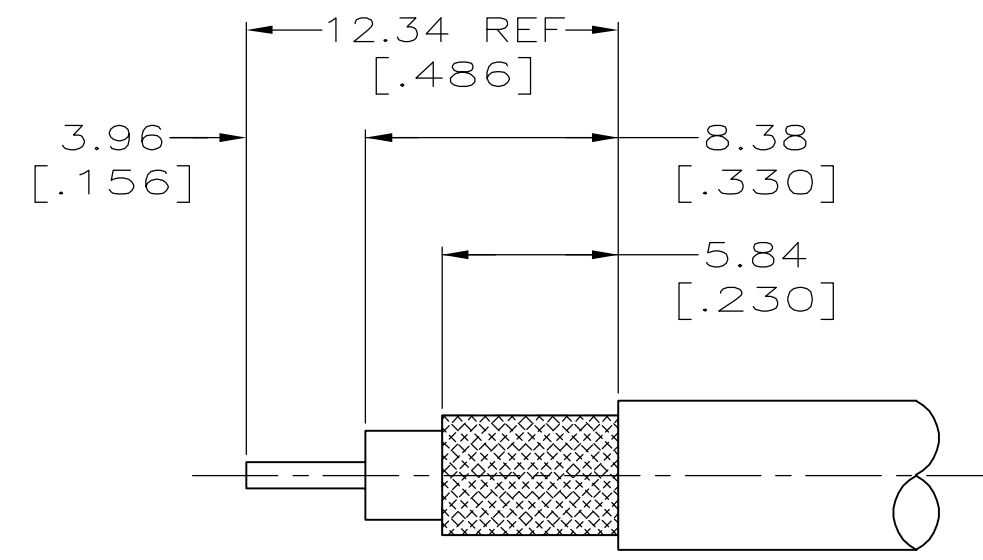
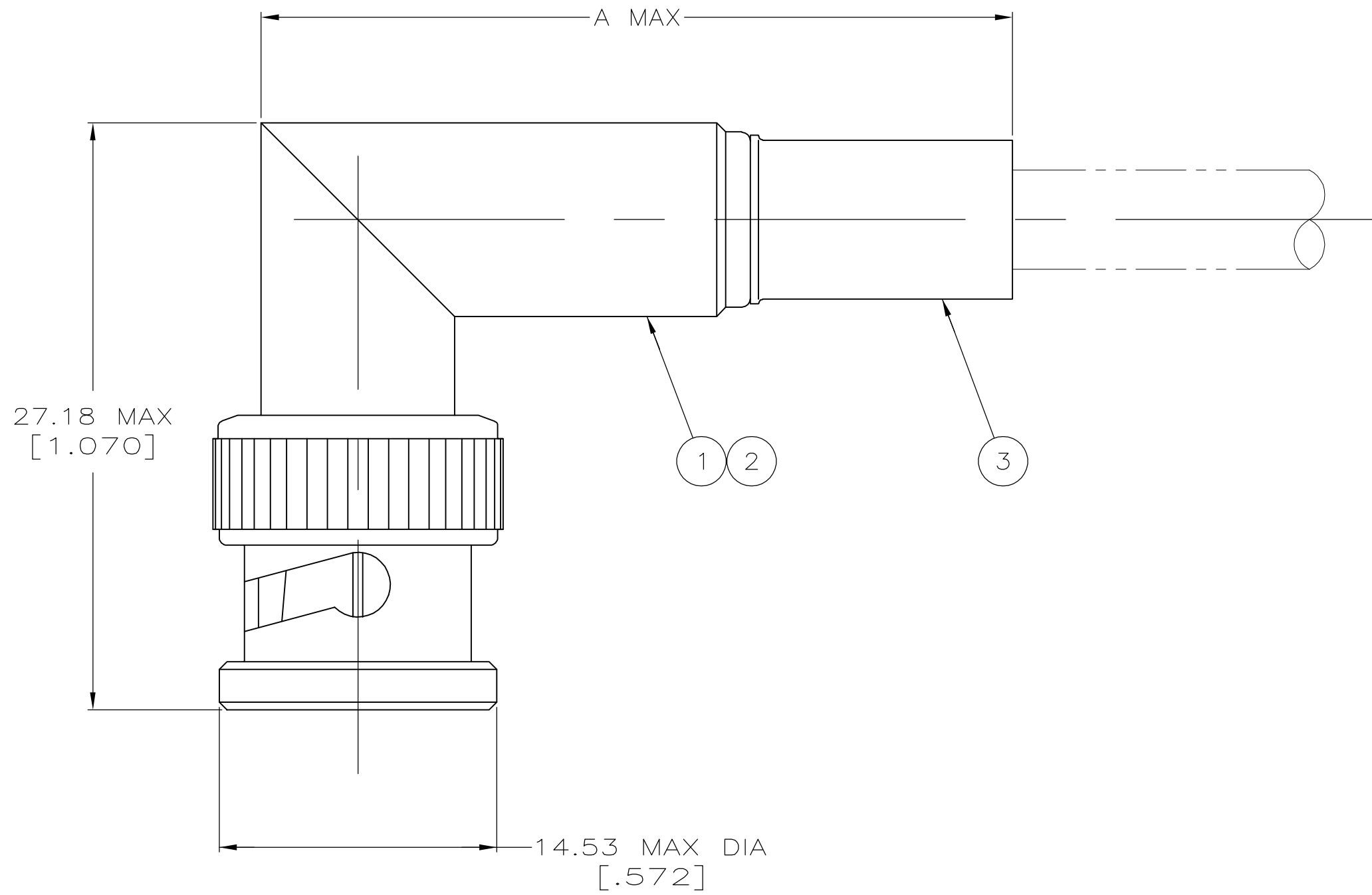


THIS DRAWING IS UNPUBLISHED. RELEASED FOR PUBLICATION
 © COPYRIGHT BY TYCO ELECTRONICS CORPORATION. ALL RIGHTS RESERVED.

LOC	DIST	REVISIONS			
P	LTR	DESCRIPTION	DATE	DWN	APVD
AJ	16	A	REVISED PER EC OS14-0150-05	30AUG05	BM JL

- 1. USE WITH PRO-CRIMPER 354940-1.
- 2. USE INSTRUCTION SHEET 408-9781



RECOMMENDED STRIP LENGTH

AT&T 735	58174-1	39.88 [1.570]	9-328666-2	221200-9	413947-2	5221402-7
BELDEN 9145	58085-1	39.88 [1.570]	9-50428-0	2-221200-5	413947-6	5221402-4
RG-59/U, 59A/U, 59B/U	58085-1	39.88 [1.570]	9-50428-0	221200-3	413947-6	5221402-2
BELDEN 9248 & MADISON W/18AWG C/C	58086-1	39.88 [1.570]	9-50427-0	3-221200-2	413947-5	5221402-1
CABLE	DIE SET	A	③ FERRULE QTY=1	② CONTACT QTY=1	① PLUG ASSEMBLY QTY=1	PART NUMBER

THIS DRAWING IS A CONTROLLED DOCUMENT.

DWN J. ALCORTA - DOCK5 21APR2005	Tyco Electronics Corporation Harrisburg, Pa 17105-3608					
CHK J. HAVENER 21APR2005						
APVD J. LIPPERT 21APR2005						
NAME PLUG, RIGHT ANGLE, 75 OHM, COMMERCIAL BNC						
DIMENSIONS: mm [INCHES]	TOLERANCES UNLESS OTHERWISE SPECIFIED:	PRODUCT SPEC 108-12020	SIZE A2	CAGE CODE 00779	DRAWING NO C=5221402	RESTRICTED TO
MATERIAL	FINISH	APPLICATION SPEC	WEIGHT	SCALE 4:1	SHEET 1 OF 1	REV A

CUSTOMER DRAWING