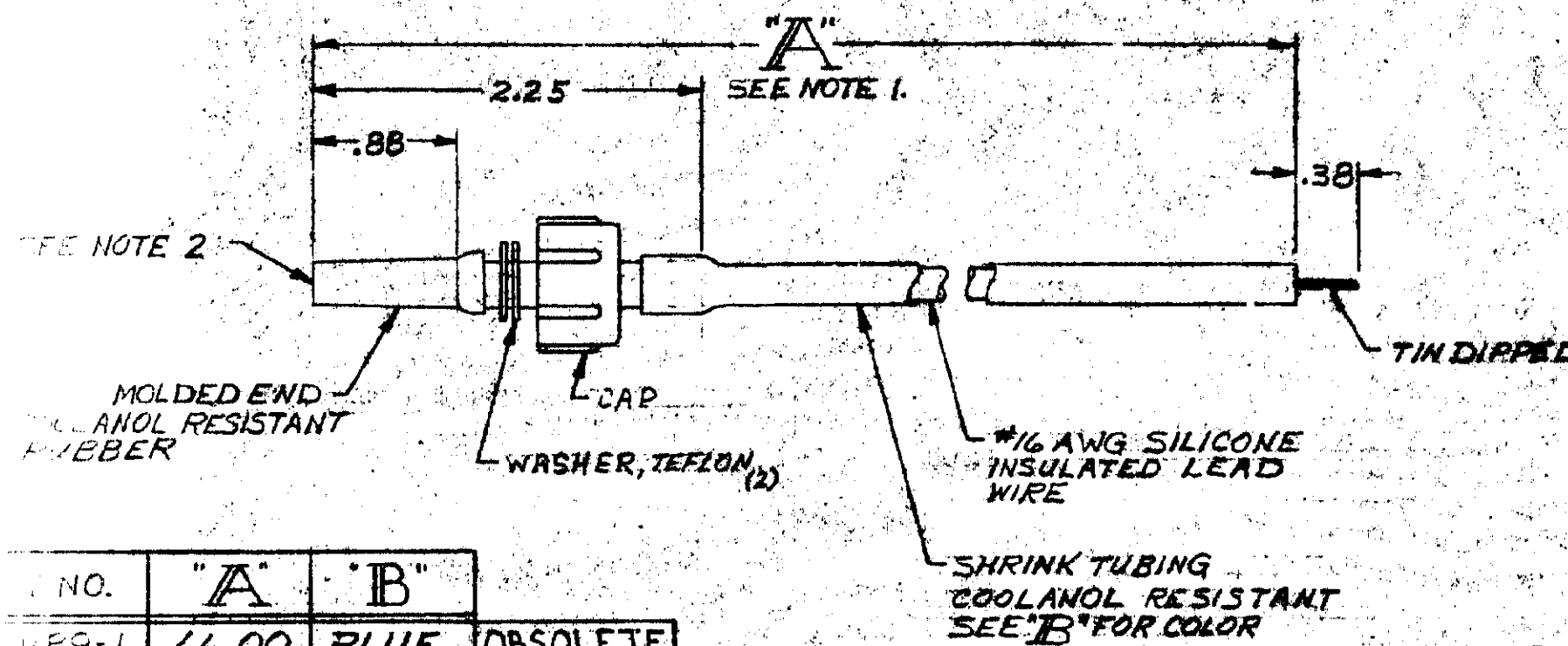


© 1979 BY AMP INCORPORATED. ALL RIGHTS RESERVED. AMP PRODUCTS COVERED BY PATENTS AND/OR PATENTS PENDING.

THIS PRODUCT DESIGNED AND BUILT BY AMP INCORPORATED. NO LICENSE TO USE THAT DESIGN IN MANUFACTURE, OR TO USE ANY ISSUED OR PENDING PATENTS WHICH ARE INVOLVED, IS IMPLIED.

REVISIONS						
P	R	ZONE	LTR	DESCRIPTION	DATE	APPROVED
		-	-	REF. SD 71506		
		4-C	A	2.25 WAS 2.38, ECN 3029	LOAC 9-24-71	WY
			B	REVISED	MMA 10-25-71	M.H.
		L	C	OBSOLETE -1 ECN U559	6-1-87	R8



NOTE:
 1. TOLERANCE : UP TO 24" - ± .12
 24" & UP - ± 1%
 2. TO MATE WITH AMP LGH -1 RECEPTACLE WITH .88" BARREL DEPTH

NO.	"A"	"B"	
860189-1	66.00	BLUE	OBSOLETE
860189-2	9.00	GREEN	

QTY REQD	QTY REQD	ITEM NO.	DWG SIZE	PART OR IDENTIFYING NO.	NOMENCLATURE OR DESCRIPTION	SYMBOL
-2	-1					

UNLESS OTHERWISE SPECIFIED: DIMENSIONS ARE IN INCHES TOLERANCES .30 - .02 ANGLES .000 - .005				CONTRACT NO. DR. <i>L. Shind</i> 9-14-71		AMP INCORPORATED CAPITRON DIVISION ELIZABETHTOWN, PENNSYLVANIA		
MATERIAL: <i>[Signature]</i>				CHK <i>[Signature]</i>				NAME LGH-1 MOLDED END REDUCED INSULATION COOLANOL RESISTANT LEAD ASS'Y (.88" MOLDED END)
FINISH: <i>[Signature]</i>				DESIGN APPD		SIZE B	CODE IDENT NO. 00779	NUMBER 860189
NEXT ASSY				OTHER APPD		SCALE N.T.S.		WT
QTY REQD				APPLICATION		SHEET		REV. C