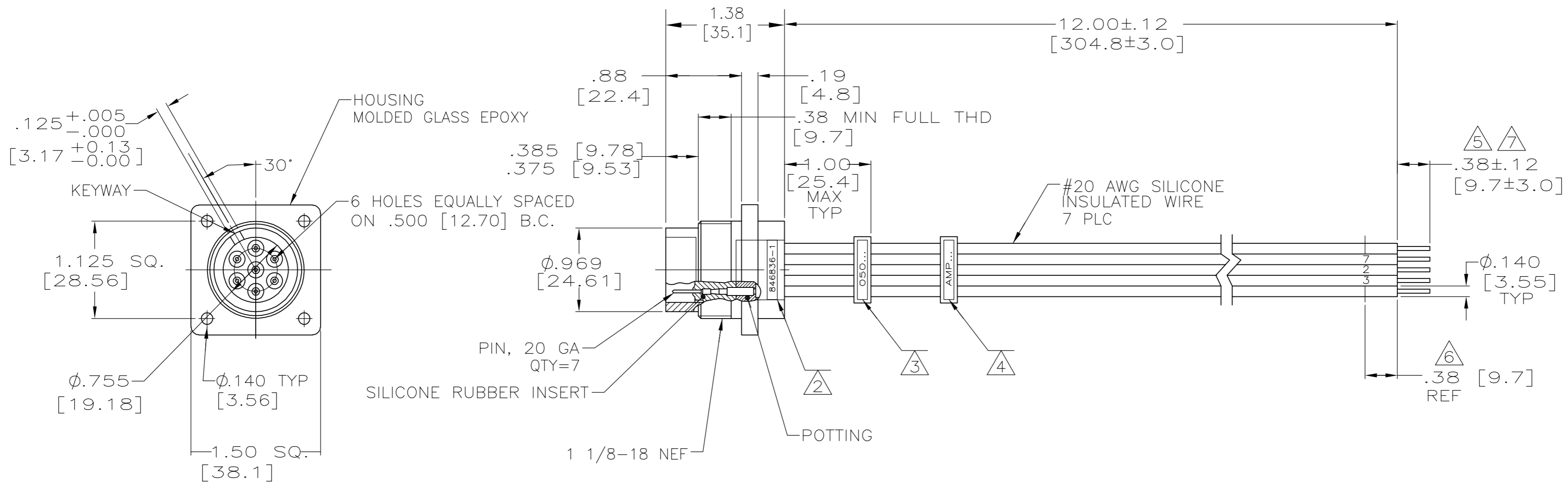


THIS DRAWING IS UNPUBLISHED. RELEASED FOR PUBLICATION
 © COPYRIGHT BY TYCO ELECTRONICS CORPORATION. ALL RIGHTS RESERVED.

LOC	DIST	REVISIONS					
DF	SO	P	LTR	DESCRIPTION	DATE	DWN	APVD
		E		REV PER ECO-05-014991	03FEB06	PY	DE



1. AMP RECEPTACLE 846836-1 TO MATE WITH AMP PLUG ASSY'S 846835-1 & 846835-2.
- ② MARKING SHALL BE STANDARD GOTHIC TYPE, COLOR TO BE WHITE. MARKING IS 846836-1.
- ③ MARKING SHALL BE STANDARD GOTHIC TYPE .06 [1.5] HIGH. COLOR TO BE BLACK. MARKING IS 05037,1011898-001
- ④ MARKING SHALL BE STANDARD GOTHIC TYPE .06 [1.5] HIGH. COLOR TO BE BLACK. MARKING IS AMP, 860245-1 & DATE CODE ONLY, PER MIL-STD-130.
- ⑤ PIGTAIL IS SOLDER DIPPED.
- ⑥ LEAD NUMBER IS MARKED ON EACH LEAD CORRESPONDING TO CAVITY I.D.
- ⑦ INSULATION CUT, BUT NOT REMOVED

⑦	5-860245-1
⑤	860245-1
REMARKS	PART NO.

THIS DRAWING IS A CONTROLLED DOCUMENT.		DWN	C.C.THOMAS	9-19-95	Tyco Electronics Corporation Harrisburg, Pa 17105-3608	
DIMENSIONS: INCHES		CHK	D.EABY	9-20-95		
TOLERANCES UNLESS OTHERWISE SPECIFIED:		APVD	D.EABY	9-20-95		
0 PLC ± - 1 PLC ± - 2 PLC ± .03 [0.8] 3 PLC ± .010 [0.25] 4 PLC ± - ANGLES ± - FINISH -		PRODUCT SPEC				
MATERIAL		APPLICATION SPEC			NAME	RCPT ASSY, 7 POSN WITH MOUNTING FLANGE & FLYING LEADS
		WEIGHT			SIZE	A2
		CUSTOMER DRAWING			CAGE CODE	00779
					DRAWING NO	C=860245
					RESTRICTED TO	-
					SCALE	1:1
					SHEET	1 OF 1
					REV	E

860245

A