

**CGM-18-6001**

## **Module Amplifier**

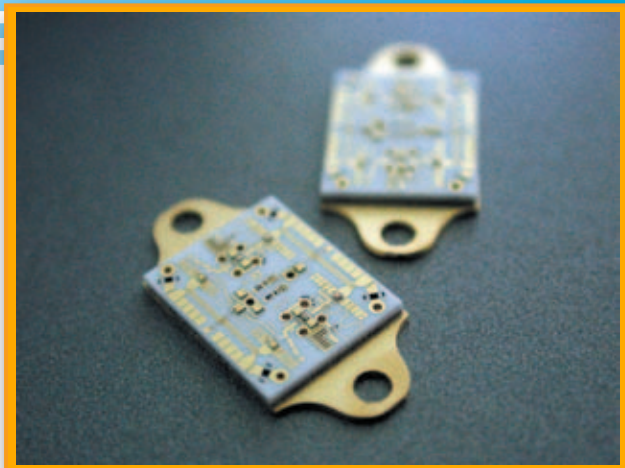
### **6 GHz - 18 GHz**

This Module Amplifier offers exceptional performance over the band 6 GHz to 18 GHz with 28 dBm P1dB output power and 4 dB Gain.

Teledyne Microwave amplifiers are balanced or feedback designs and manufactured with the latest MIC & MMIC technology. The GaAs FET's used in these amplifiers are well established proven devices from multiple sources.

Teledyne Microwave offers a complete line of Narrow and broadband Amplifiers covering the frequency range 500 MHz to 40 GHz. These products are available in either connectorized packages or as modules. For a complete list of these products and more, please visit our website.

Other products from Teledyne Microwave include: Transceivers, Synthesizers, and YIG Products



---

#### Specifications:

Model Number: CGM-18-6001  
Frequency Range: 6 GHz – 18 GHz  
Gain (min): 4 dB  
Gain Vs Temp Coefficient per 1 deg C: -0.011 dB  
Noise Figure (max): N/A dB  
Output Power @ 1dB Compression: 28 dBm  
Gain Flatness Vs Frequency: +/-0.8 dB  
3<sup>rd</sup> Order Intercept (Typ): Contact Factory  
Power Supply:  
    Input Voltage: 11.5 to 15 VDC  
    Current @ 12 VDC (typ): 640 mA  
    Current @ 12 VDC (max): Contact Factory  
Case Type (See attached Outline): 1248NP  
Temperature Range: +25C



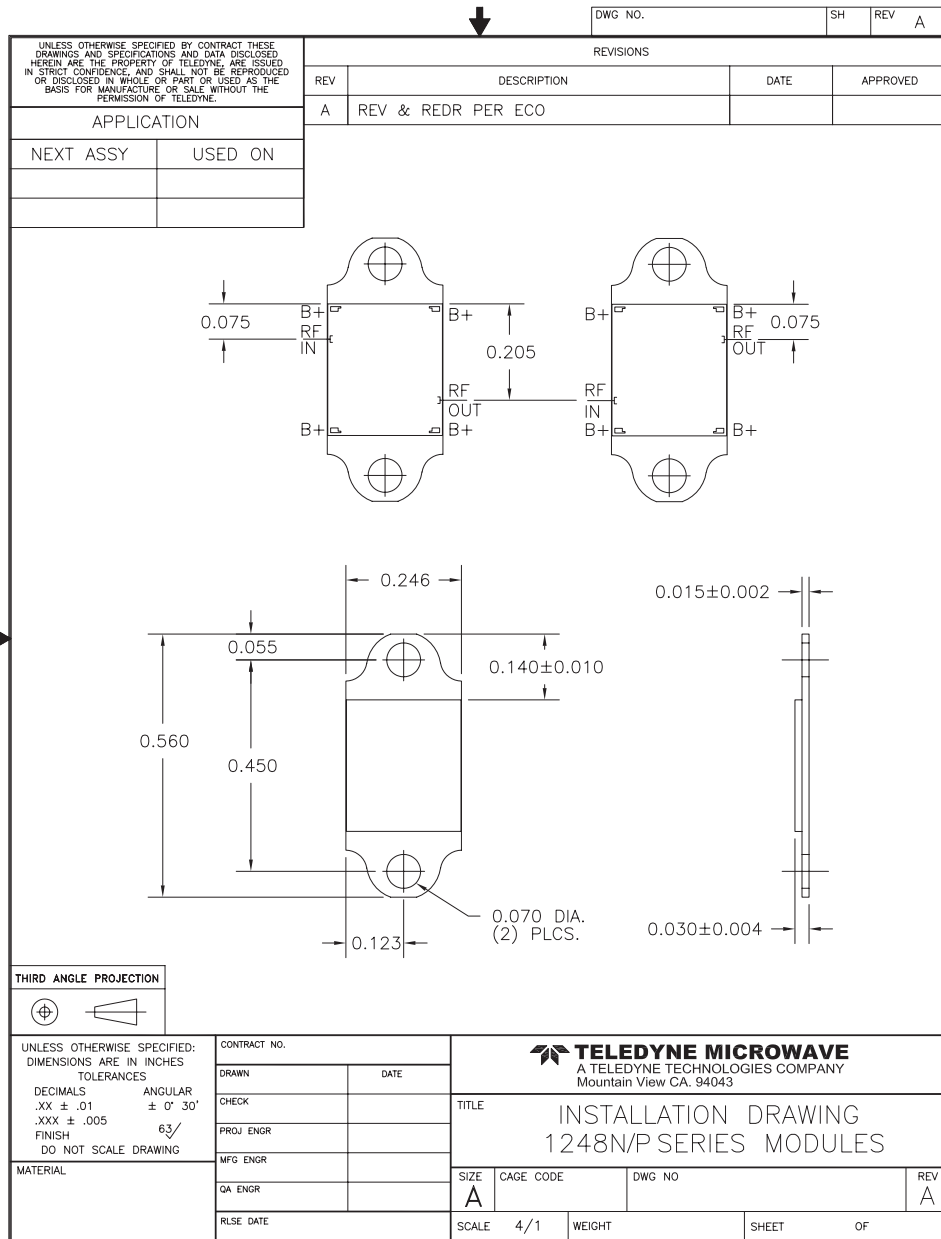
**ISO 9001:2000**

1274 Terra Bella Avenue, Mountain View, CA 94043 • PHN# 800.832.6869 or +1.650.962.6944 • FAX# 650.962.6845  
www.teledynemicrowave.com • microwave@teledyne.com

CGM-18-6001

# Module Amplifier

## 6 GHz - 18 GHz



THIRD ANGLE PROJECTION

|   |                      |              |      |   |           |        |  |
|---|----------------------|--------------|------|---|-----------|--------|--|
| UNLESS OTHERWISE SPECIFIED: DIMENSIONS ARE IN INCHES TOLERANCES |                      | CONTRACT NO. |      | <br><b>TELEDYNE MICROWAVE</b><br>A TELEDYNE TECHNOLOGIES COMPANY<br>Mountain View CA. 94043 |           |        |  |
| DECIMALS  | ANGULAR              | DRAWN        | DATE |   |           |        | <b>INSTALLATION DRAWING</b><br><b>1248N/P SERIES MODULES</b> |
| .XX ± .01   | ± 0° 30'             | CHECK        |      | SIZE  | CAGE CODE | DWG NO |  |
| .XXX ± .005   | 63/                  | PROJ ENGR    |      | A   |           |        | A  |
| FINISH  | DO NOT SCALE DRAWING | MFG ENGR     |      | SCALE   | 4/1       | WEIGHT | SHEET  |
| MATERIAL  |                      | QA ENGR      |      |   |           |        | OF   |
|   |                      | RLSE DATE    |      |   |           |        |  |



ISO 9001:2000

1274 Terra Bella Avenue, Mountain View, CA 94043 • PHN# 800.832.6869 or +1.650.962.6944 • FAX# 650.962.6845  
 www.teledynemicrowave.com • microwave@teledyne.com