

HKT100***F/HKT100Y01F

μ-Chip (RFID)

REJ03P0002-0100
Rev.1.00
Feb 16, 2006

Overview

- HKT100***F/HKT100Y01F is RFID (Radio Frequency Identification) for 2.45 GHz.
- It has a unique ID inside, then it is applicable for management of individual object.

Note: "****" or "Y01" is a ROM code.

Feature

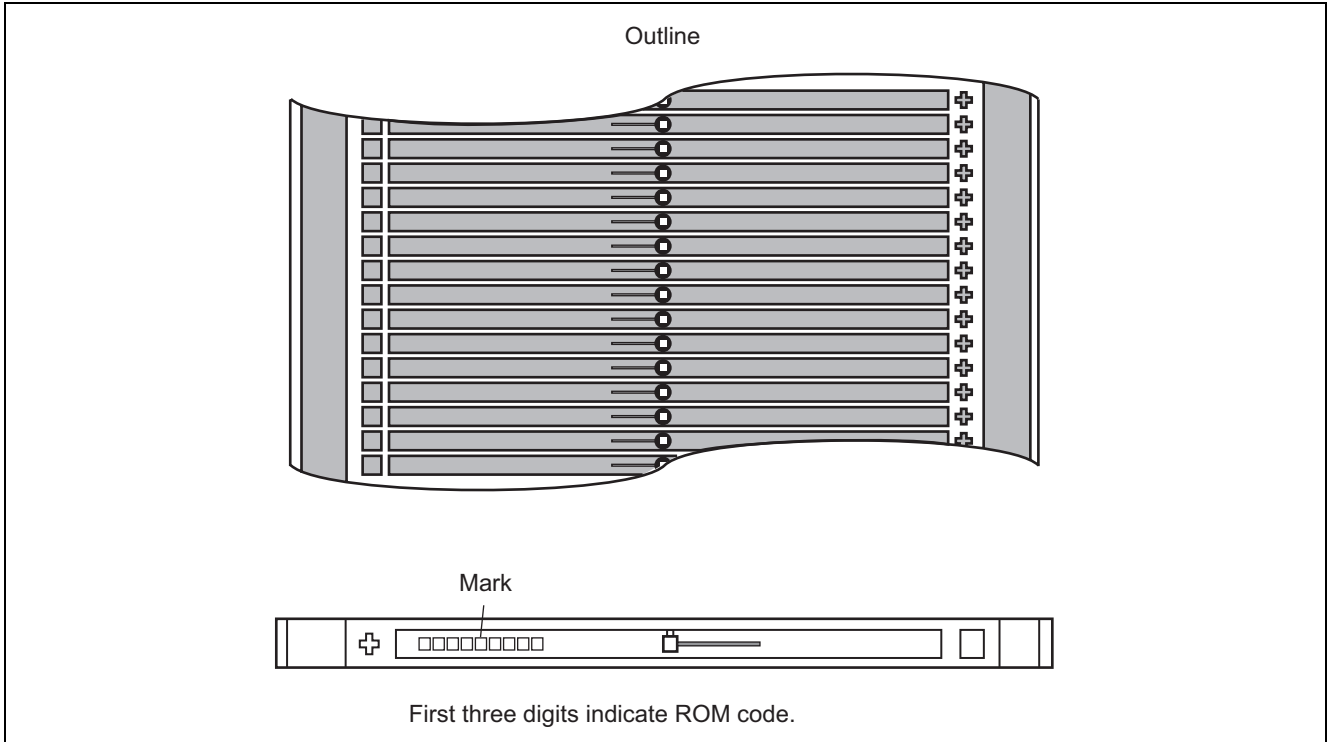
- Thin and small package: COA (Chip on Aluminum)
- Including unique μ-Chip ID which is not alterable
- Including a unique ID
- Communication without contact

Note: "μ-Chip" and the μ-Chip Logo are either registered Trademarks or Trademarks of Hitachi,Ltd. in Japan and in other countries.

Order Type Name

Order Type Name	Unit of Packaging	Packing Form	Unit of Order	Note
HKT100***F	8,000 min	Reel	75,000	
HKT100Y01F	10,000	Reel	10,000	

Outline and Mark



Absolute Maximum Ratings

Item	Symbol	Specification			Unit	Condition	Remark
		Min	Typ	Max			
Storage temperature	Tstg	-30	—	75	°C		
Ambient operation temperature	Ta	0	25	40	°C		No condensation
Received power	Pr	—	—	13.8	dBm		

Electrical Characteristics

Measurement conditions:

Unless otherwise specified, Ta = 25°C, fc = 2.416 ± 0.010 GHz, reader power = 150 mW

Single-patch antenna, linearity polarized waves, clock cycle = 10 μs, clock duty cycle = 85%

Period of reading operations: 8 clock cycles, number of read bits: 128 bits

Item	Specification			Unit	Condition	Remark
	Min	Typ	Max			
Communication distance	6	—	15	cm	Note4	Note1
μ-Chip ID Check	—	Passed	—	—	EDC Check	Note2, Note3

Notes: 1. The distance at which the read μ-Chip ID value matches the indicated value and the EDC check is passed.

2. Verification value calculated from the read μ-Chip ID value.

3. Detail data of μ-Chip ID is describe on the commodity specification.

4. Relation between the inlet and antenna positions;

The planes of the copper-foil pattern for the antenna and the antenna itself should be parallel, the center of the inlet should be on the line that passes through the center of the antenna plane, and the inlet copper-foil pattern's longer side should be within the antenna's plane of polarization.

Reader Specifications and Type No.: MR-STD2

Item	Symbol	Specification	Unit	Remarks
Operation temperature	Ta	25	°C	
Carrier frequency	fc	2.416 ± 0.010	GHz	
Power	Pw	150	mW	
Clock cycle	Tclk	10	μs	
Clock duty ratio	duty	85	%	
Data read cycle	Tfm	8	Clock	
Data read bit count	Nb	128	Bits	

Cable Specifications

Item	Symbol	Specification	Unit	Remarks
Cable material	—	semi-rigid	—	
Total length of cable	L	20	cm	

Antenna Specifications and Type No.: PA1-2450AS

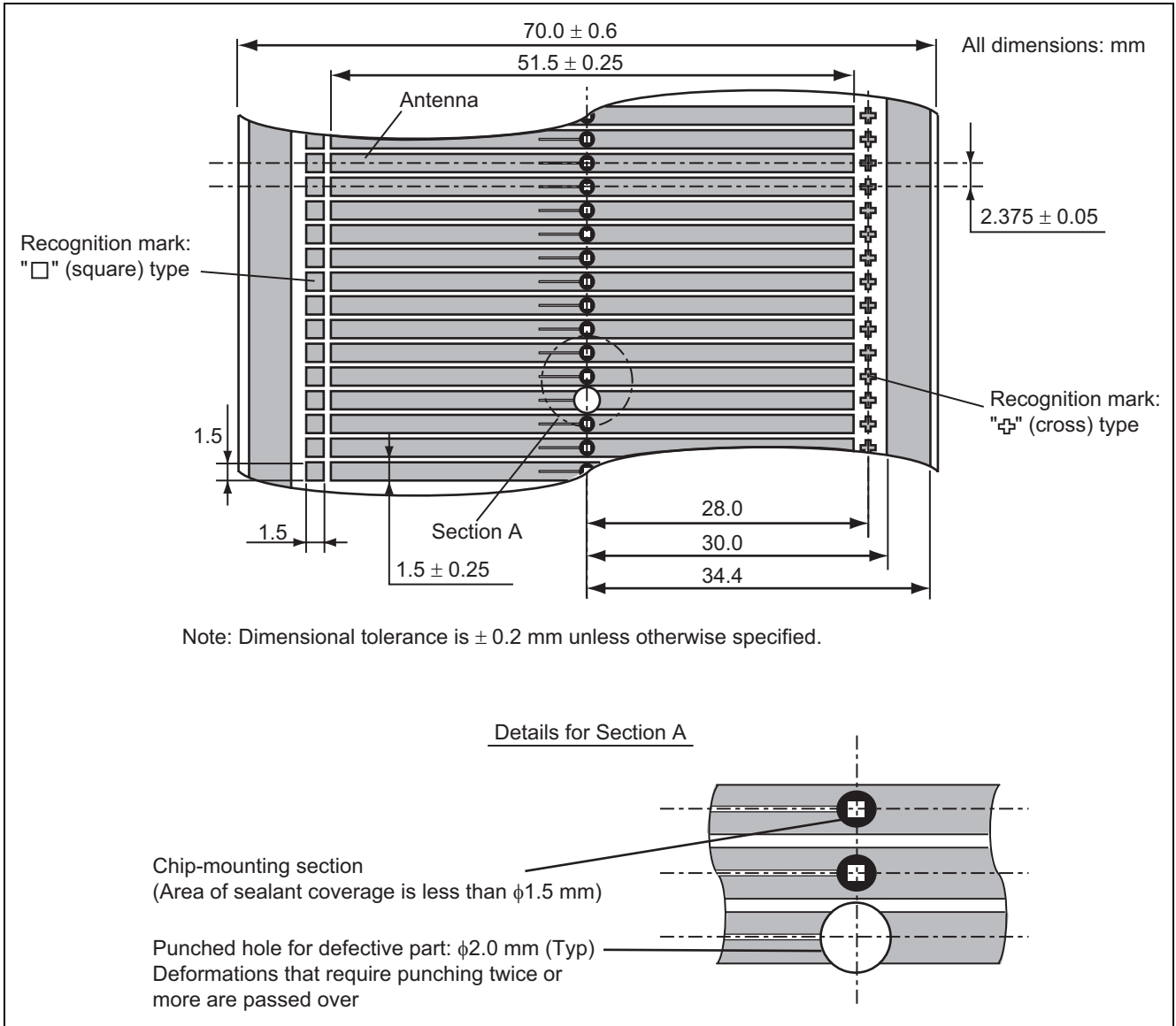
Item	Symbol	Specification	Unit	Remarks
Operation temperature	Ta	25	°C	
Polarization	—	Linear	—	
Number of patches	—	1	pcs	
Gain	—	7	dBi	

Dimension of Inlet Outline

Tape Dimensions

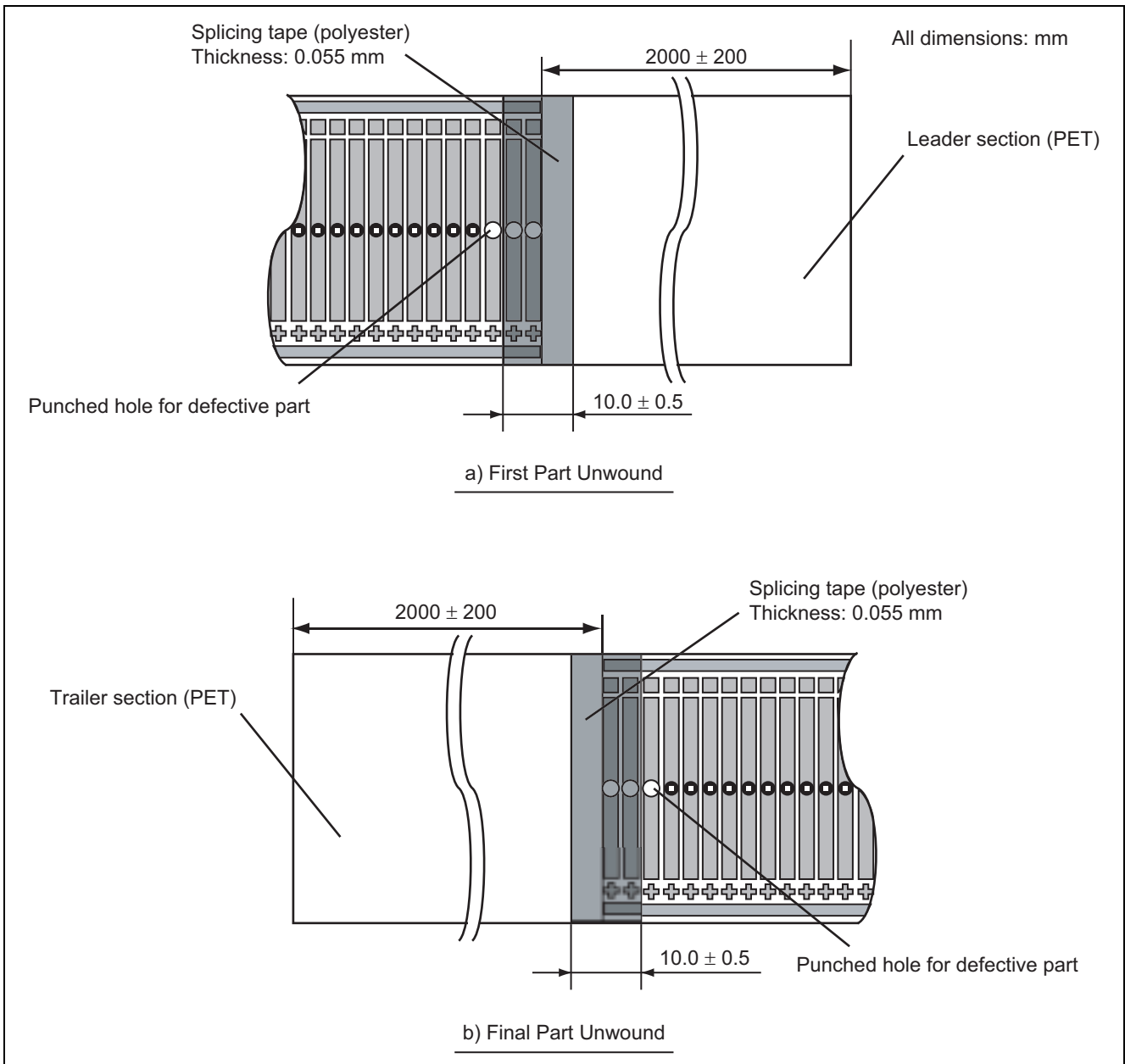
The products, each of which consists of an antenna and chip, are aligned and mounted on tape as shown in the figure below.

The chip-mounting section is punched through if the chip is defective.



Leader and Trailer Sections

This product includes leader and trailer sections that precede and follow the product section, i.e. the section that carries the chips, as shown in the figure below.



Punched Holes for Defective Part

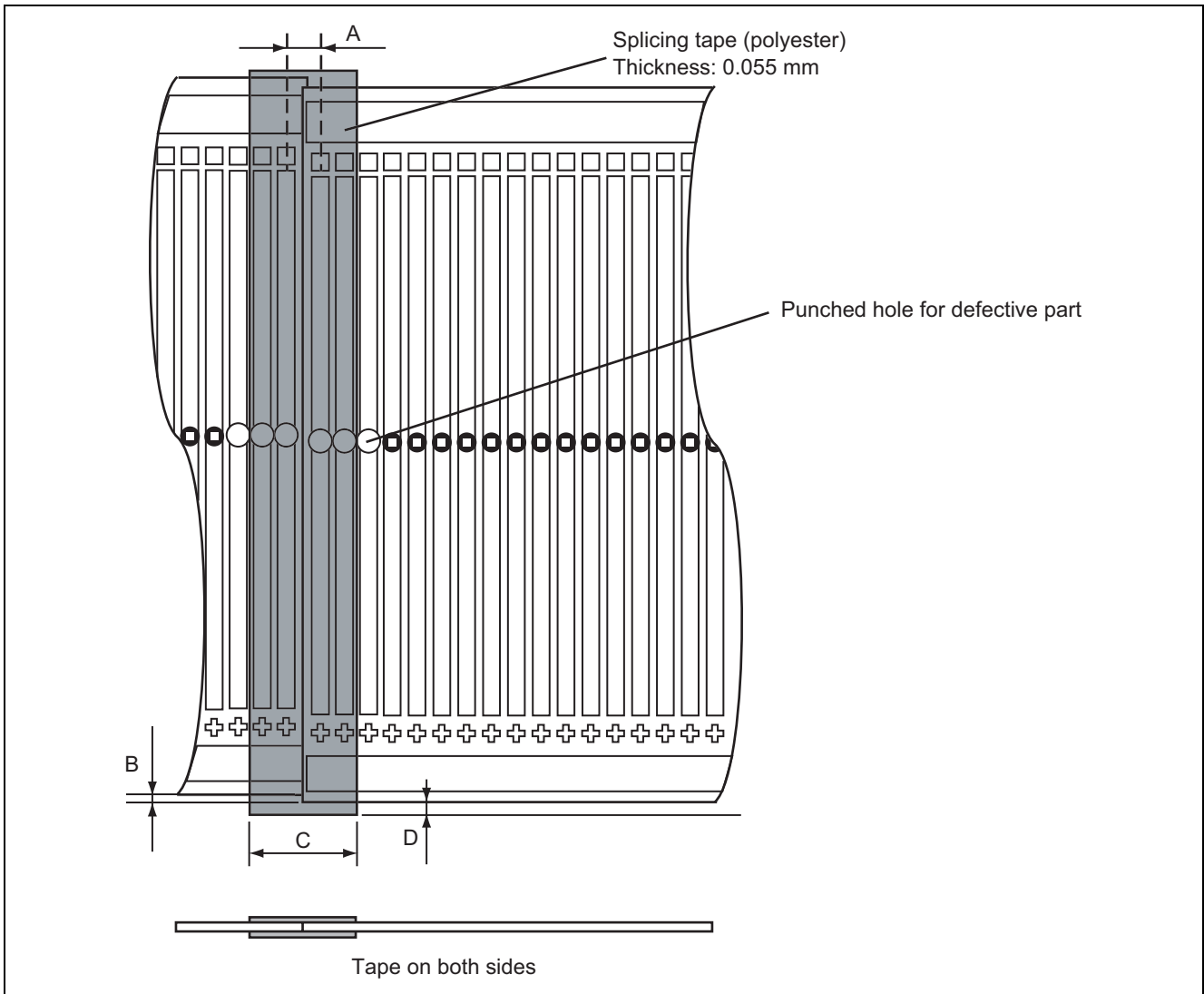
Chips of defective parts will be punched through with the hole size of $\phi 2.0$ mm.

Jointed Segments of Tape

This product may include splices, where two tapes are pasted together, as shown below.

The number of splices is no more than 5 per reel (excluding the attachment of leader/trailer tapes ^{Note}).

Products covered by the splicing tape will be punched through as defective parts.



Dimension	Description	Specification
A	The antenna pitch at spliced part	2.375 ± 0.2 mm
B	Misalignment at spliced point	± 0.2 mm
C	Splicing tape width	10.0 ± 0.5 mm
D	Overflow of splicing tape	< 0.5 mm

Note: If leader/trailer parts are broken or spoiled by creases, the tape will be cut and jointed again.
 The attachment of leader/trailer will not be punched through as defective parts.


Packing Specifications

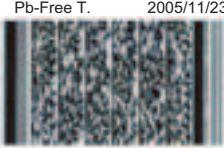
Packing Specifications and Quantity

- (1) As shipped, this product is packed in reel.
- (2) Quantity is 8,000 good pieces/reel Min.^{Note} However, quantity of HKT100Y01F is 10,000 good pieces/reel.
- (3) Quantity of punched hole for defective part is 10% or less of total quantity of antenna.

Note: Tapes can be joined to increase the quantity.

Example of Labeling



<p>(1) → P I D 05480P10CV-001</p> <p>(2) → D / N RKZ6.8TKJR1</p> <p>(3) → QTY 8000</p> <p>(4) → SPN RKZ6.8TKJR1 ZZZZ</p> <p>(5) → WP MADE IN JAPAN T/C 0548 FL90030E0</p> <p>(6) → AS MADE IN JAPAN S.LOT FL90030E0</p>	
---	--

Notes: (1) Pack-ID

(2) Device Name

(3) Quantity

(4) SAP Name

(5) Country of Wafer Process

(6) Country of Assembly
(Japan → MADE IN JAPAN / Malaysia → MADE IN MALAYSIA)

(7) Trace code

(8) Lot code

(9) Pb-Free indication (Only for Pb-free product)

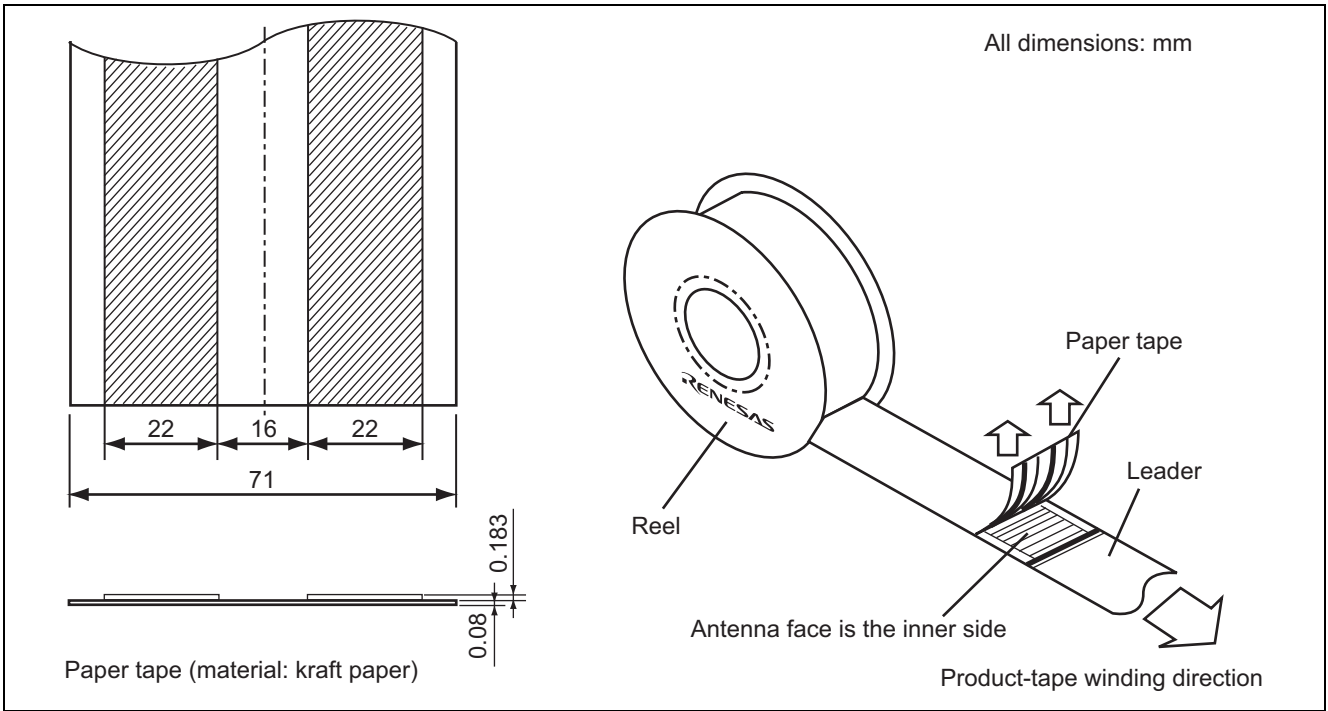
(10) Date of Label issuance

Form of Delivery

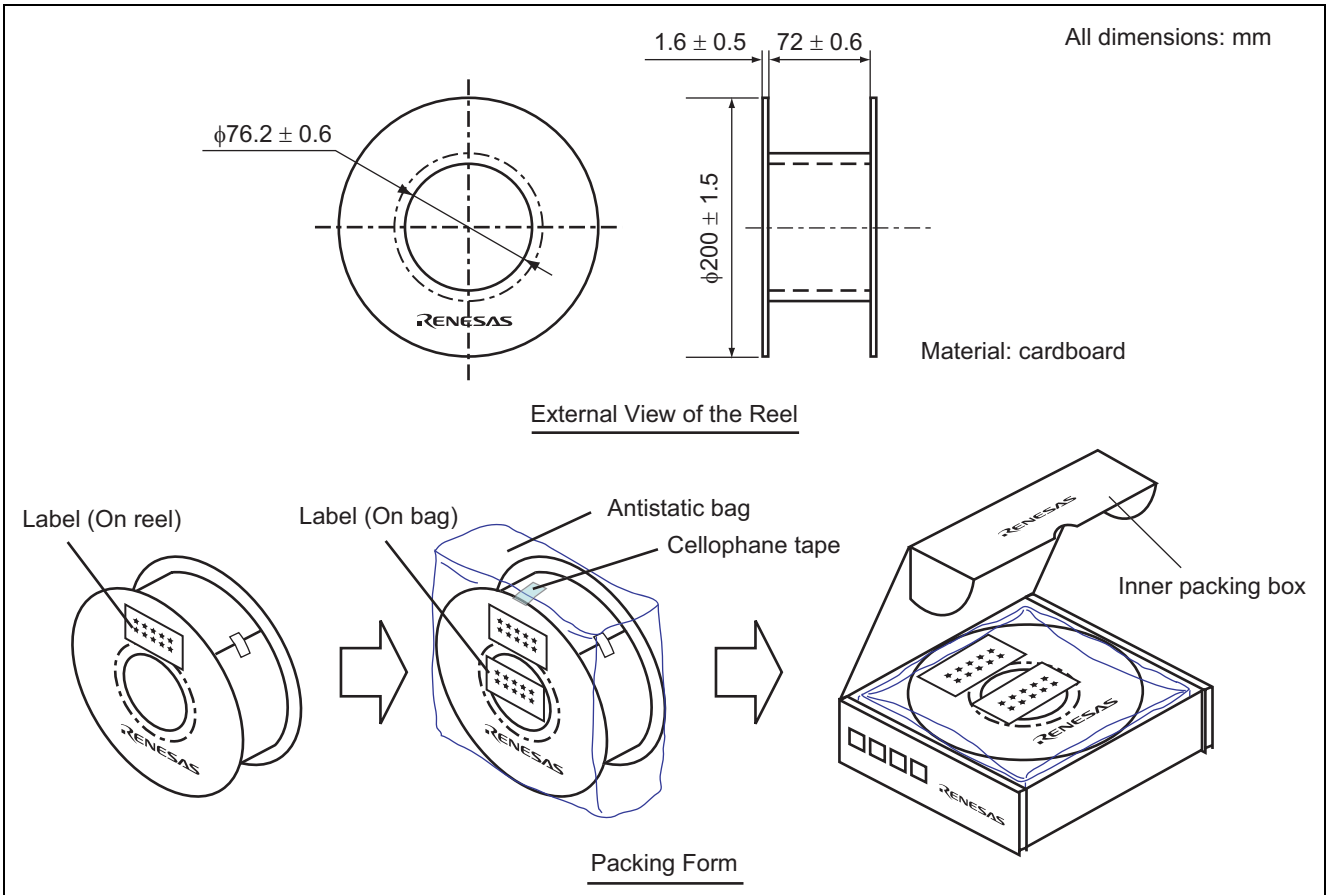
(1) Paper tape for spacers

Paper tape is inserted as a spacer for the product tape.

When wound onto the reel, the product tape is oriented so that the antenna face is on the inner side.



(2) Packing and reel dimensions



Appearance

There should not be any scratch or/and dirt that affect characteristics.

Quality Level

(Compliant with the JIS Z 9015)

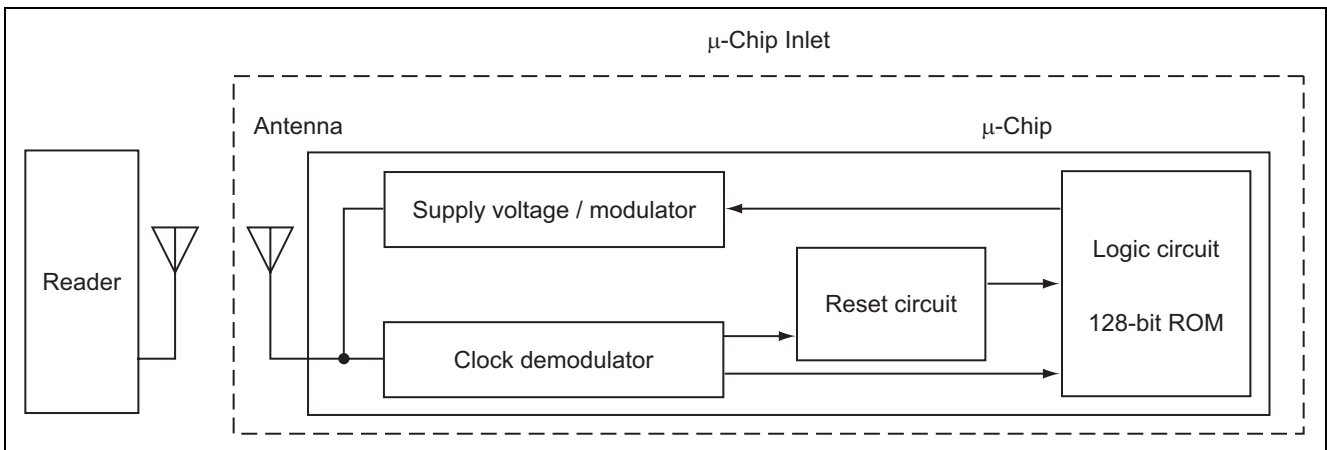
Electrical characteristics: AQL = 4.0%

Appearance: AQL = 4.0%

Precautions on Usage

1. Renesas Technology does not guarantee the product characteristics after it has been through assembly on the customer side.
2. Please refer to the mounting manual. (Document No.: REJ11P0002-0100)

System Outline



Function Blocks

Block Name	Description of Functions
Supply voltage/modulator	Generates power-supply voltage from carrier signals, varies the output impedance of the modulator circuit to match the input impedance of the antenna, and handles communications. The IC incorporates a power limiter for the protection of internal devices.
Reset circuit	Determines whether or not a clock signal is being supplied and cancels the reset mode in synchronization with the first clock cycle.
Clock demodulator	Demodulates the clock signal from the envelope signal of the received signal.
Logic circuit	The IC includes an on-chip 128-bit ROM from which data signals are sent out in synchronization with the clock signal.

Keep safety first in your circuit designs!

1. Renesas Technology Corp. puts the maximum effort into making semiconductor products better and more reliable, but there is always the possibility that trouble may occur with them. Trouble with semiconductors may lead to personal injury, fire or property damage. Remember to give due consideration to safety when making your circuit designs, with appropriate measures such as (i) placement of substitutive, auxiliary circuits, (ii) use of nonflammable material or (iii) prevention against any malfunction or mishap.

Notes regarding these materials

1. These materials are intended as a reference to assist our customers in the selection of the Renesas Technology Corp. product best suited to the customer's application; they do not convey any license under any intellectual property rights, or any other rights, belonging to Renesas Technology Corp. or a third party.
2. Renesas Technology Corp. assumes no responsibility for any damage, or infringement of any third-party's rights, originating in the use of any product data, diagrams, charts, programs, algorithms, or circuit application examples contained in these materials.
3. All information contained in these materials, including product data, diagrams, charts, programs and algorithms represents information on products at the time of publication of these materials, and are subject to change by Renesas Technology Corp. without notice due to product improvements or other reasons. It is therefore recommended that customers contact Renesas Technology Corp. or an authorized Renesas Technology Corp. product distributor for the latest product information before purchasing a product listed herein.
The information described here may contain technical inaccuracies or typographical errors.
Renesas Technology Corp. assumes no responsibility for any damage, liability, or other loss rising from these inaccuracies or errors.
Please also pay attention to information published by Renesas Technology Corp. by various means, including the Renesas Technology Corp. Semiconductor home page (<http://www.renesas.com>).
4. When using any or all of the information contained in these materials, including product data, diagrams, charts, programs, and algorithms, please be sure to evaluate all information as a total system before making a final decision on the applicability of the information and products. Renesas Technology Corp. assumes no responsibility for any damage, liability or other loss resulting from the information contained herein.
5. Renesas Technology Corp. semiconductors are not designed or manufactured for use in a device or system that is used under circumstances in which human life is potentially at stake. Please contact Renesas Technology Corp. or an authorized Renesas Technology Corp. product distributor when considering the use of a product contained herein for any specific purposes, such as apparatus or systems for transportation, vehicular, medical, aerospace, nuclear, or undersea repeater use.
6. The prior written approval of Renesas Technology Corp. is necessary to reprint or reproduce in whole or in part these materials.
7. If these products or technologies are subject to the Japanese export control restrictions, they must be exported under a license from the Japanese government and cannot be imported into a country other than the approved destination.
Any diversion or reexport contrary to the export control laws and regulations of Japan and/or the country of destination is prohibited.
8. Please contact Renesas Technology Corp. for further details on these materials or the products contained therein.



RENESAS SALES OFFICES

<http://www.renesas.com>

Refer to "<http://www.renesas.com/en/network>" for the latest and detailed information.

Renesas Technology America, Inc.

450 Holger Way, San Jose, CA 95134-1368, U.S.A
Tel: <1> (408) 382-7500, Fax: <1> (408) 382-7501

Renesas Technology Europe Limited

Dukes Meadow, Millboard Road, Bourne End, Buckinghamshire, SL8 5FH, U.K.
Tel: <44> (1628) 585-100, Fax: <44> (1628) 585-900

Renesas Technology (Shanghai) Co., Ltd.

Unit 204, 205, AZIACenter, No.1233 Lujiazui Ring Rd, Pudong District, Shanghai, China 200120
Tel: <86> (21) 5877-1818, Fax: <86> (21) 6887-7898

Renesas Technology Hong Kong Ltd.

7th Floor, North Tower, World Finance Centre, Harbour City, 1 Canton Road, Tsimshatsui, Kowloon, Hong Kong
Tel: <852> 2265-6688, Fax: <852> 2730-6071

Renesas Technology Taiwan Co., Ltd.

10th Floor, No.99, Fushing North Road, Taipei, Taiwan
Tel: <886> (2) 2715-2888, Fax: <886> (2) 2713-2999

Renesas Technology Singapore Pte. Ltd.

1 Harbour Front Avenue, #06-10, Keppel Bay Tower, Singapore 098632
Tel: <65> 6213-0200, Fax: <65> 6278-8001

Renesas Technology Korea Co., Ltd.

Kukje Center Bldg. 18th Fl., 191, 2-ka, Hangang-ro, Yongsan-ku, Seoul 140-702, Korea
Tel: <82> (2) 796-3115, Fax: <82> (2) 796-2145

Renesas Technology Malaysia Sdn. Bhd

Unit 906, Block B, Menara Amcorp, Amcorp Trade Centre, No.18, Jalan Persiaran Barat, 46050 Petaling Jaya, Selangor Darul Ehsan, Malaysia
Tel: <603> 7955-9390, Fax: <603> 7955-9510