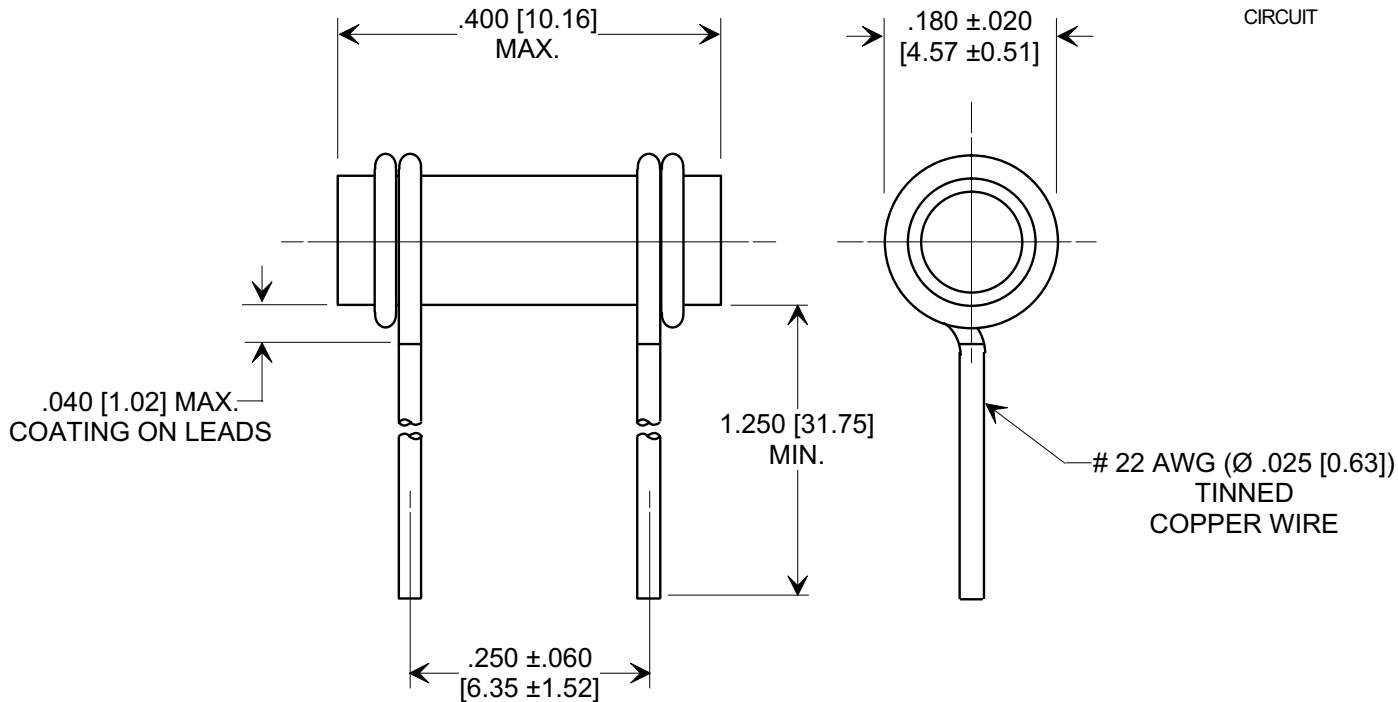
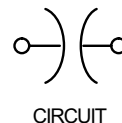
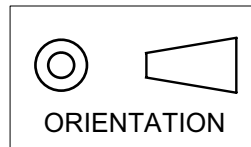


MARKETING SALES DRAWING

DIMENSIONS IN INCHES - DO NOT SCALE THIS DRAWING
DIMENSIONS IN METRIC - []

This drawing is the property of Tusonix, Inc., and may not be used, reproduced, published or disclosed to others without expressed authorization by Tusonix Inc.

Electrical Testing
per Tusonix standard
test plans and Mil-Std-202
Test Methods.



SPECIFICATIONS

TUSONIX PART NO.	301-086-C0H0-809-D
Style No:	301-086
Value:	8 pF
Value Tol.:	± .5 pF
Temp. Coef.:	C0H
Rating:	500 VDC
Operating Range:	-55°C TO 85°C
To Tusonix Spec Unless Stated Otherwise	

NOTE:
 CLEAR LAQUER COATING

REVISION RECORD Original Release C.O. 20010420-1-01 CORRECTED CIRCUIT. S.M. 03-04-03 20030304-1-01 CLEAR LAQUER WAS WHITE. S.M. 05-17-06 20060406-4-09	0	--TOLERANCES-- Unless Otherwise Specified	Title LAQUER COATED TUBULAR CAPACITOR	
	1		DECIMAL ±	Drawn S.M. 04-20-01 Scale 5 X
	2	ANGLES ±	Approved B.Mc. 04-20-01	
	TUSONIX TUCSON, ARIZONA		A 301-086-COH0-809D	