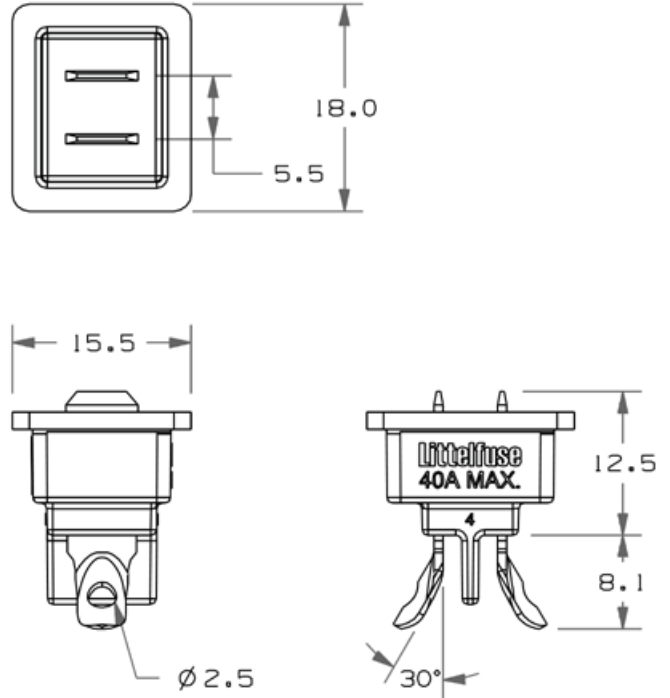


Low Profile JCASE® Panel-Mount Fuse Holder

RoHS



Dimensions in mm / Maße in mm



Used with LP JCASE® fuses up to 40A . Holder will use 12 AWG / 3 mm² wire. Fuse not included.

Part Number	Description	Fuse Rating
0FHJ3003U	Low Profile JCASE® Holder with soldering tabs	40 A max