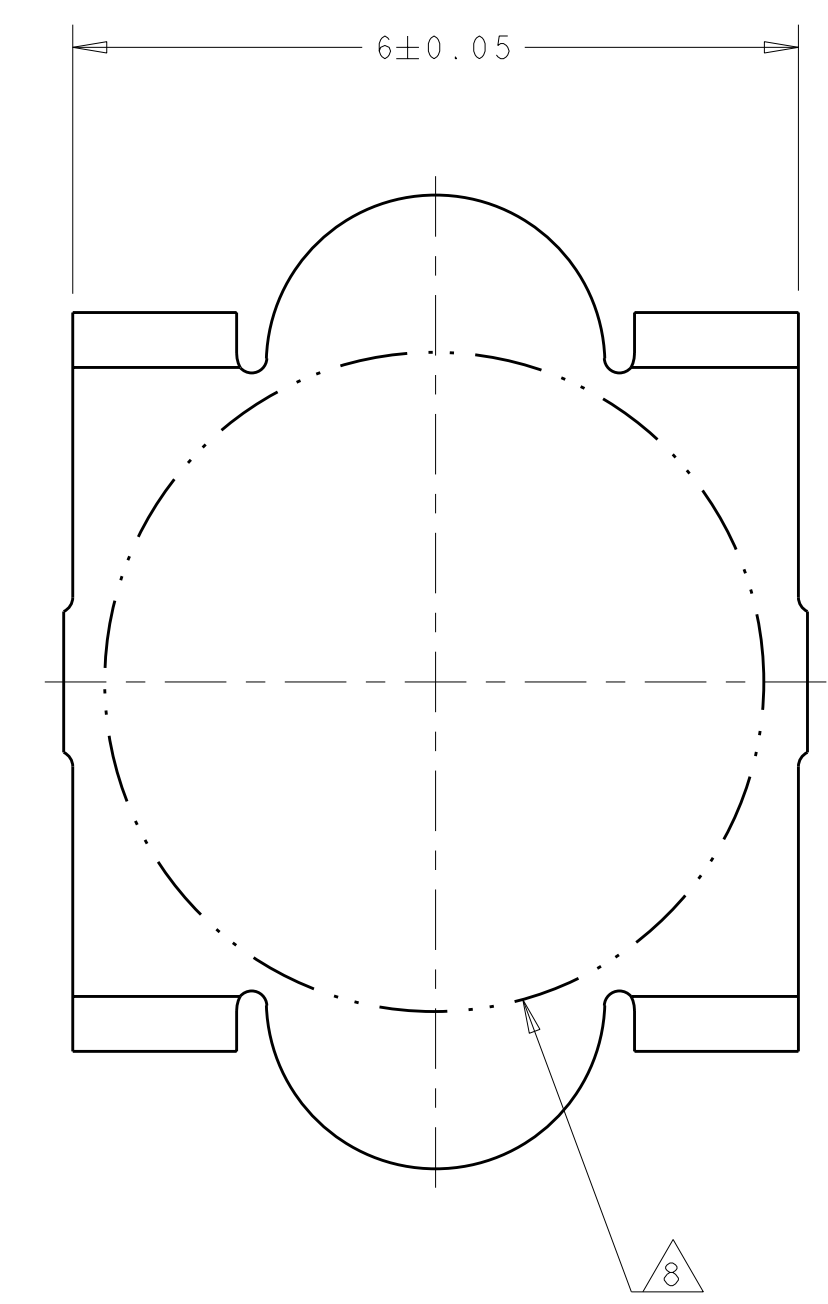
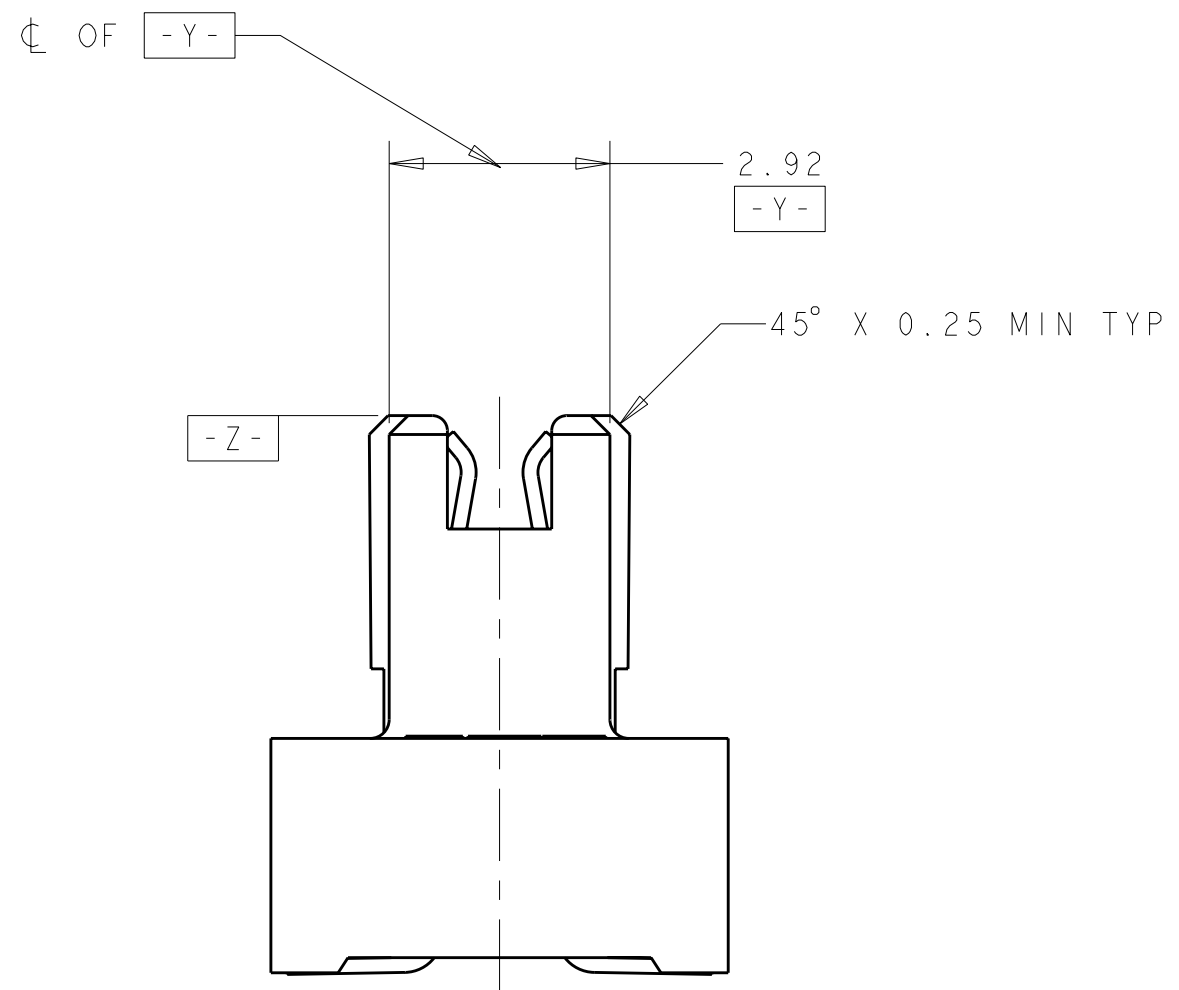
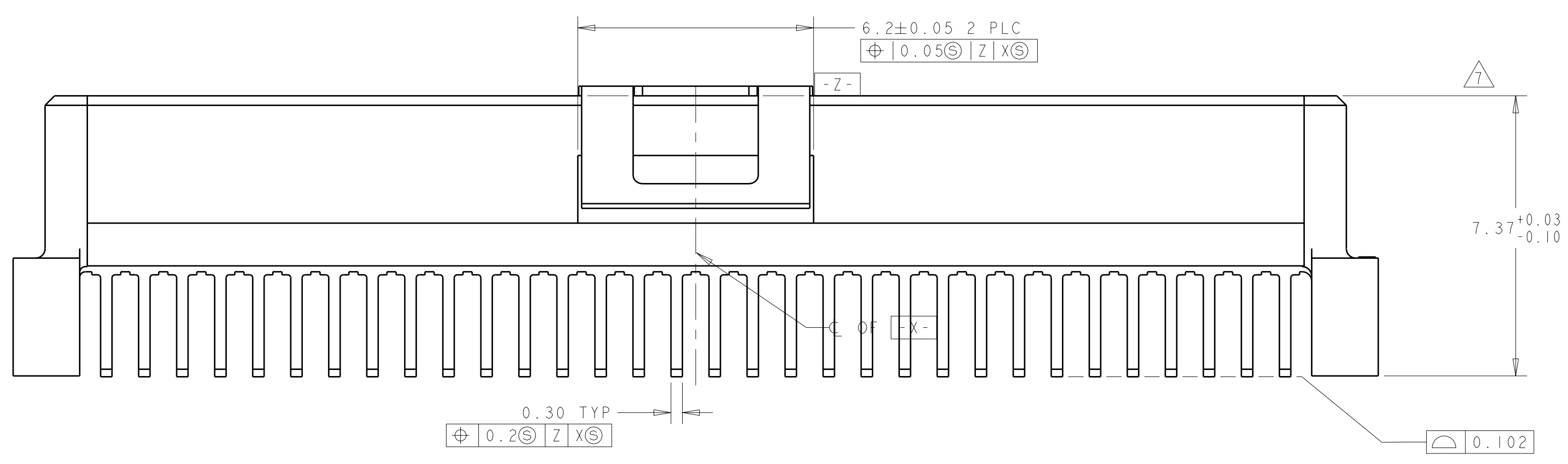
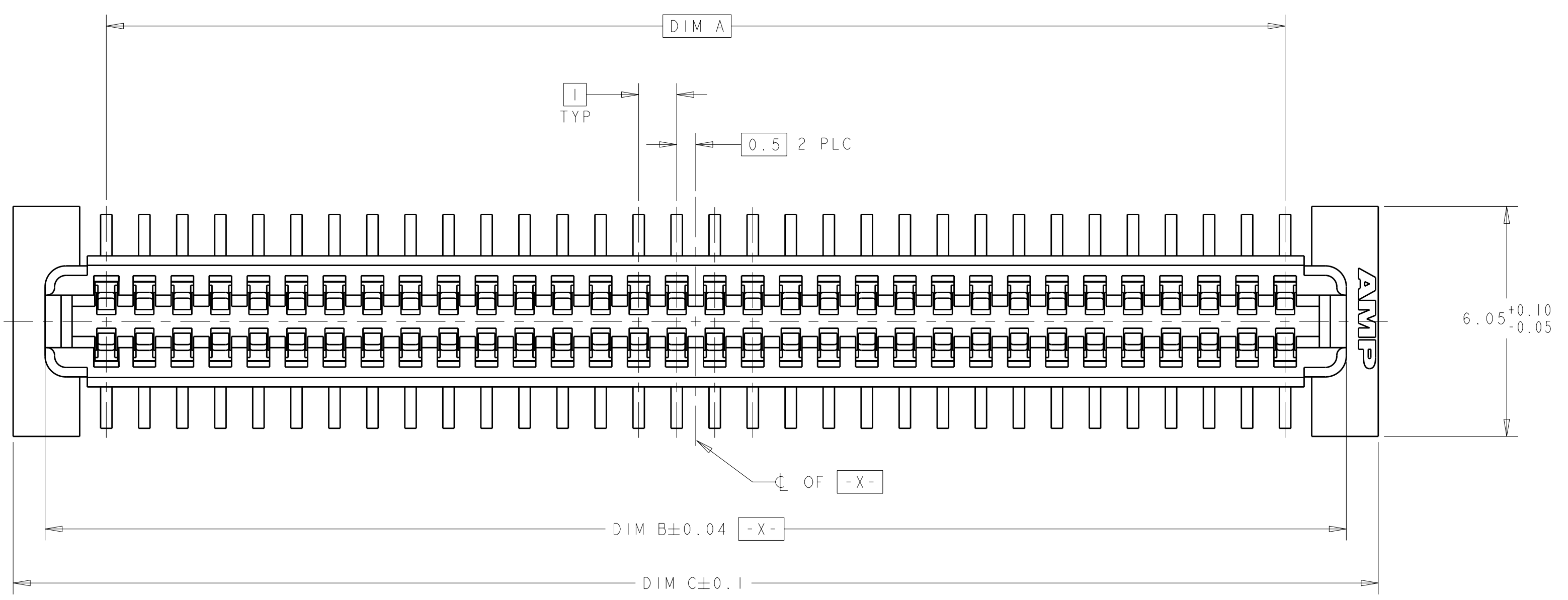
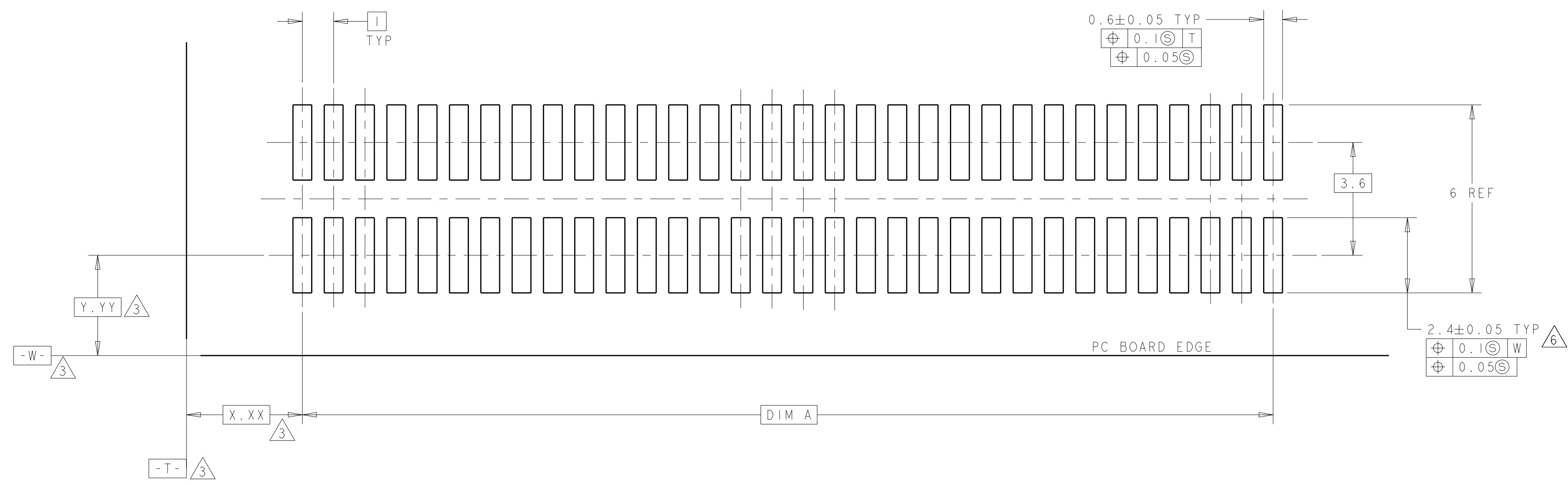


LOC	DIST	REVISIONS			
		REV	DATE	BY	APPD
AD	39	G	10FEB2004	RWS	RHW
		H	12FEB2004	RWS	RHW
		J	10JUL2008	DH	DB

- 1 HOUSING MATERIAL: HIGH TEMPERATURE THERMOPLASTIC, COLOR: BLACK  
CONTACT MATERIAL: PHOSPHOR BRONZE
- 2 CONTACT FINISH: NICKEL UNDERPLATE ALL OVER, MATING SURFACES  
PLATED TO MEET PLI PERFORMANCE REQUIREMENTS OF INDUSTRY  
SPECIFICATION EIA-700AAAB, SOLDER TAILS PLATED TIN-LEAD.
- 3 DATUM LOCATIONS AND BASIC DIMENSIONS TO BE ESTABLISHED BY THE  
CUSTOMER. CONSULT AMP ENGINEERING WHEN PLACING MULTIPLE  
CONNECTORS ON A PC BOARD.
4. PACKAGED IN TAPE ON REEL PER EIA-481.
5. VACUUM COVER DESIGNED FOR 4mm DIA. NOZZLE. COVER TO BE REMOVED  
AFTER SOLDERING. VACUUM COVER OMITTED FROM SOME VIEWS FOR  
DIMENSIONAL CLARITY.
- 6 SHORTER SOLDER LANDS MAY BE USED PER EIA 700AAAB, HOWEVER 2.4  
LENGTH ASSURES OPTIMUM SOLDER FILLET REGARDLESS OF MANUFACTURER  
OF CONNECTOR.
- 7 REFERRED TO AS DIM H = 7.30±0.1 IN EIA 700AAAB SPECIFICATION.
- 8 5.5 MIN DIA TARGET AREA FOR VACUUM PICK-UP.
- 9 CONTACT FINISH: 0.00381 MINIMUM MATTE TIN-LEAD (93-7)  
ON SOLDER AREA, 0.00127 MINIMUM GOLD ON MATING AREA,  
BOTH OVER 0.00127 MINIMUM NICKEL ON ENTIRE CONTACT.



VACUUM COVER



RECOMMENDED PC BOARD LAYOUT

FINISH	DIM C	DIM B	DIM A	MATING CONNECTOR	STACK HGTS	POS	PART NO
9	45.9	44.22	41	120534-2	12	84	1-120529-2
9	45.9	44.22	41	120533-2	11	84	1-120529-2
9	35.9	34.22	31	120534-1	12	64	1-120529-1
9	35.9	34.22	31	120533-1	11	64	1-120529-1
2	45.9	44.22	41	120534-2	12	84	120529-2
2	45.9	44.22	41	120533-2	11	84	120529-2
2	35.9	34.22	31	120534-1	12	64	120529-1
2	35.9	34.22	31	120533-1	11	64	120529-1

DIMENSIONS: mm TOLERANCES UNLESS OTHERWISE SPECIFIED: 9 PLC ± 1 PLC ±0.03 5 PLC ±0.003 4 PLC ± ANGLES ±0°-1'		DWN J. REED 2/15/97 CHK L. VO 2/15/97 APVD - NAME PRODUCT SPEC 502-1079 APPLICATION SPEC SIZE 114-25045 WEIGHT CUSTOMER DRAWING		AMP Tyco Electronics Harrisburg, PA 17105-3608 RECEPTACLE ASSEMBLY, W/ COVER, 1.0mm FH(IEEE1386) CONNECTOR SIZE CAGE CODE DRAWING NO A11 00779 C=120529 RESTRICTED TO SCALE 10:1 SHEET 1 OF 1 REV J	
--	--	---	--	--	--