

THIS DRAWING IS UNPUBLISHED. RELEASED FOR PUBLICATION DEC ,2005.
 © COPYRIGHT 2005 BY TYCO ELECTRONICS CORPORATION. ALL RIGHTS RESERVED.

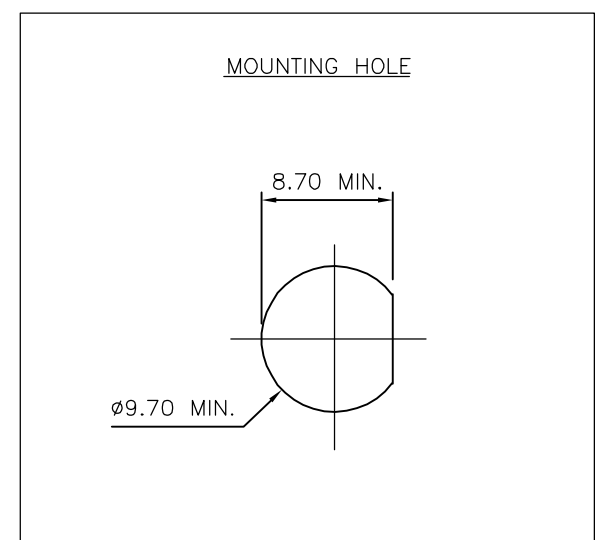
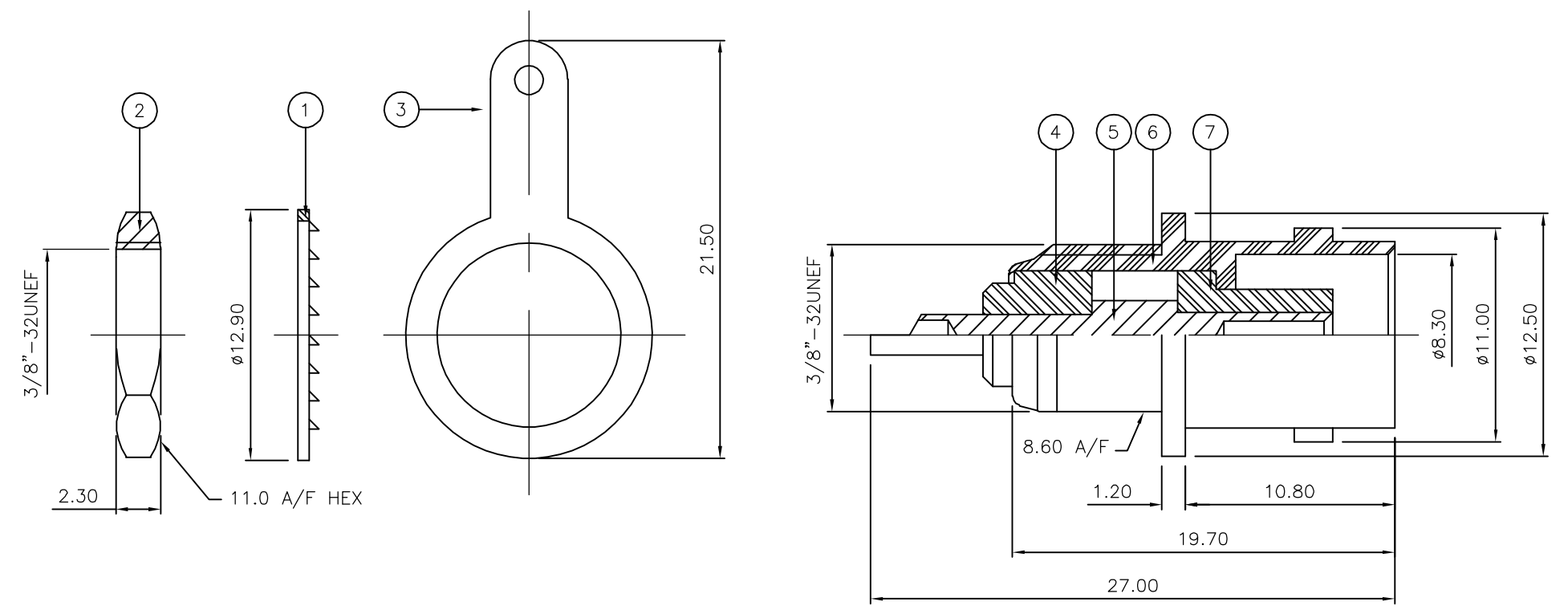
LOC	DIST	REVISIONS					
E	B	P	LTR	DESCRIPTION	DATE	DWN	APVD
		C		ECR-05-017969	13DEC05	JMS	FWK

- NOTES:
- 1 PACK IN ACCORDANCE WITH AMP SPEC 107-3275
 - 2 100 TRAY PACK IN ACCORDANCE WITH AMP SPEC 107-3275
 - 3 Ag PLATING
 - 4 ELECTRICAL CHARACTERISTICS

FREQUENCY RANGE:	DC - 4 GHz
NOMINAL IMPEDANCE:	50 Ohm
INSULATION RESISTANCE:	5000 MOhm
WORKING VOLTAGE:	500 Volts RMS at Sea Level
DIELECTRIC WITHSTAND VOLTAGE:	1500 Volts RMS Max
CONTACT RESISTANCE:	
CENTRE CONTACT:	1.50 mOhm Max
OUTER CONTACT:	0.20 mOhm Max
VSWR @ xGHz:	N/A
INSERTION LOSS xdb:	N/A
 - 5 MECHANICAL CHARACTERISTICS

COUPLING RETENTION FORCE:	N/A
CABLE RETENTION FORCE:	N/A
MOUNT NUT RECOMMENDED TORQUE:	2.5N
DURABILITY:	500 Cycles Min
 - 6 ENVIRONMENTAL CHARACTERISTICS

OPERATING TEMPERATURE:	-65 to +165 DegC
------------------------	------------------



QTY	QTY PER ASSY	MATERIAL	DESCRIPTION	ITEM
1	1	PTFE	INSULATION	7
1	1	BRASS	BODY	6
1	1	BRASS	CONTACT	5
1	1	PTFE	INSULATION	4
1	1	BRASS	SOLDER TAG	3
1	1	BRASS	HEX NUT	2
1	1	STEEL	LOCKWASHER	1
6--0	1--0	MATERIAL	DESCRIPTION	ITEM

THIS DRAWING IS A CONTROLLED DOCUMENT.		DWN J.SANDWELL 13DEC05	Tyco Electronics Corporation Bideford EX39 4HE											
DIMENSIONS: mm		CHK S.PARLOW 13DEC05												
TOLERANCES UNLESS OTHERWISE SPECIFIED:		APVD F.WHEELER-KING 13DEC05	NAME BNC BULKHEAD SOCKET FRONT MOUNT 50 OHM + TAG											
<table border="0"> <tr><td>0 PLC</td><td>± -</td></tr> <tr><td>1 PLC</td><td>± -</td></tr> <tr><td>2 PLC</td><td>± -</td></tr> <tr><td>3 PLC</td><td>± -</td></tr> <tr><td>4 PLC</td><td>± -</td></tr> <tr><td>ANGLES</td><td>± -</td></tr> </table>		0 PLC			± -	1 PLC	± -	2 PLC	± -	3 PLC	± -	4 PLC	± -	ANGLES
0 PLC	± -													
1 PLC	± -													
2 PLC	± -													
3 PLC	± -													
4 PLC	± -													
ANGLES	± -													
MATERIAL SEE TABLE		FINISH -	SIZE A3 CAGE CODE 00779 DRAWING NO C-1337450 RESTRICTED TO -											
		WEIGHT -	CUSTOMER DRAWING SCALE NTS SHEET 1 OF 1 REV C											