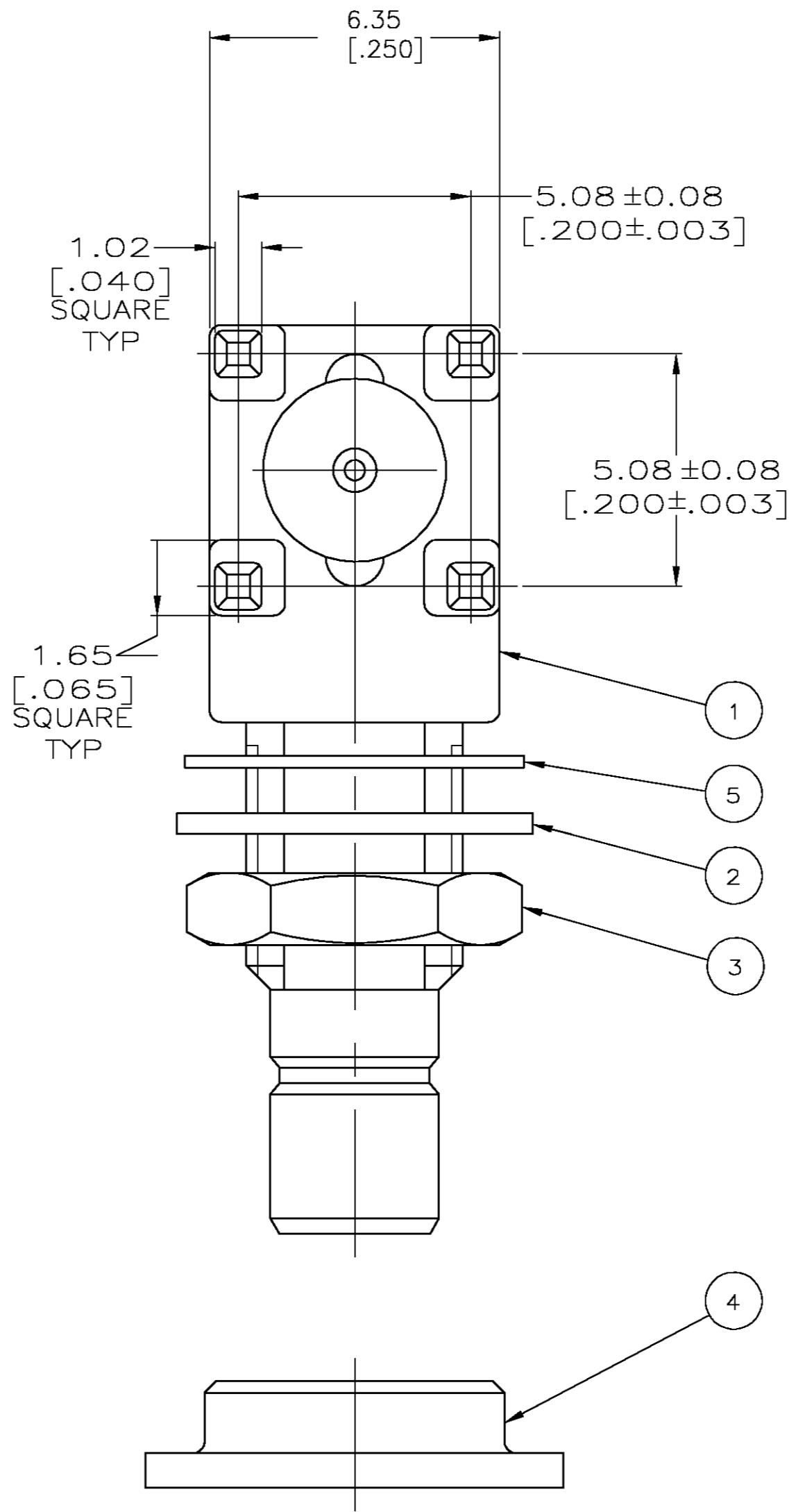
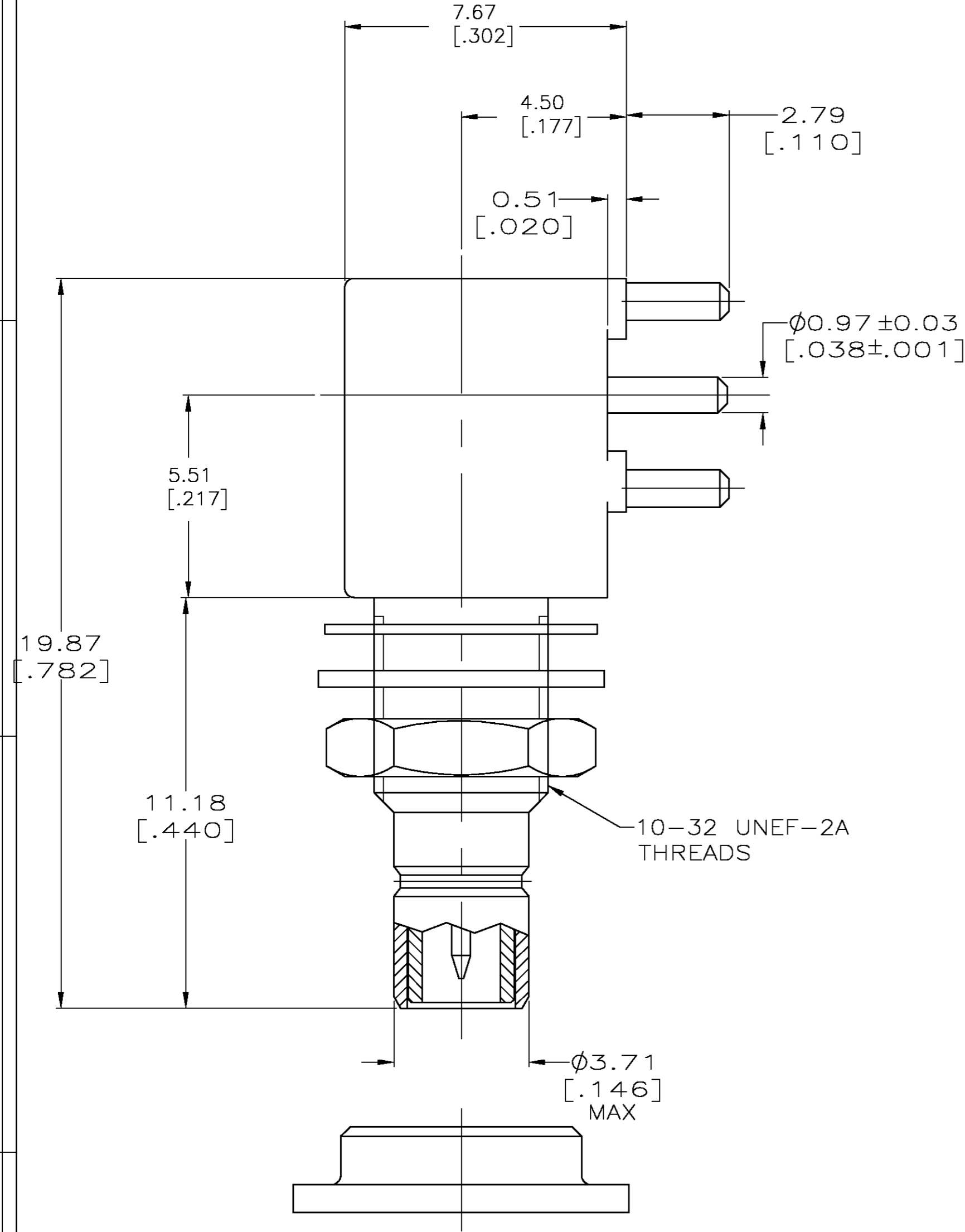
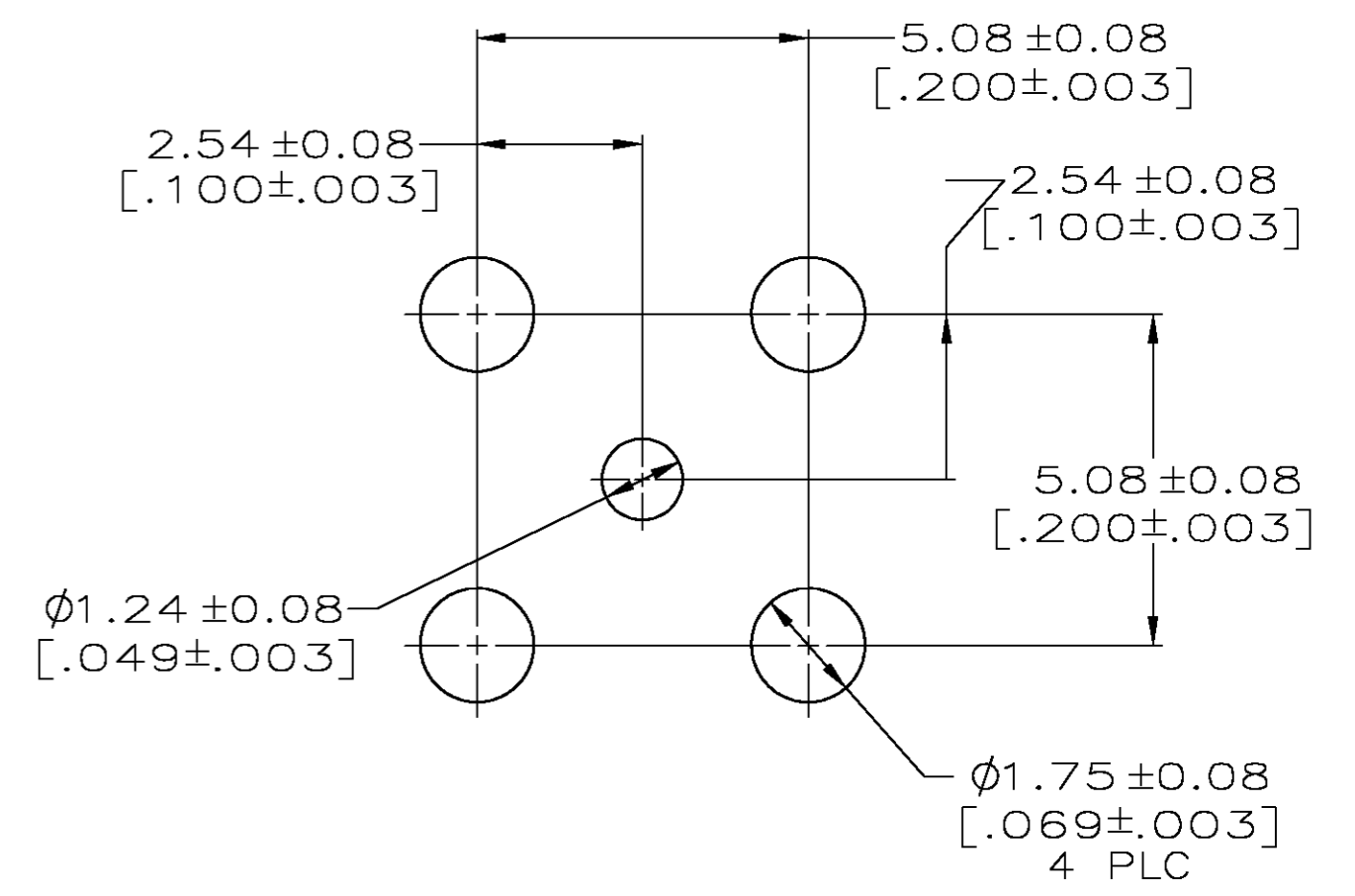


THIS DRAWING IS UNPUBLISHED. RELEASED FOR PUBLICATION
 © COPYRIGHT BY TYCO ELECTRONICS CORPORATION. ALL RIGHTS RESERVED.

LOC	DIST	REVISIONS			
P	LTR	DESCRIPTION	DATE	DWN	APVD
B		EC 0514-0303-03	07JUL03	RMF	RMF



1. PARTS PACKAGED UNASSEMBLED.



RECOMMENDED PCB CONFIGURATION

228019-3 ISOLATING WASHER QTY=1	415784-1 ISOLATING BUSHING QTY=1	414969-3 JAM NUT QTY=1	415001-2 LOCKWASHER QTY=1	414963-1 JACK ASSY QTY=1	1274330-1 PART NUMBER
---------------------------------------	--	------------------------------	---------------------------------	--------------------------------	--------------------------

THIS DRAWING IS A CONTROLLED DOCUMENT.

DIMENSIONS: MM	TOLERANCES UNLESS OTHERWISE SPECIFIED:	DWN B. MOYER 27APR99	Tyco Electronics Corporation Norwood, Mass, 02062
	0 PLC ± -	CHK B. MOYER 27APR99	
	1 PLC ± -	APVD B. MOYER 27APR99	
	2 PLC ± 0.13 [.005]	PRODUCT SPEC	
MATERIAL	3 PLC ± -	APPLICATION SPEC	NAME JACK, RIGHT ANGLE, PCB, BULKHEAD, 50 OHM, SMB
	4 PLC ± -	WEIGHT	SIZE A2 CAGE CODE 00779 DRAWING NO C=1274330 RESTRICTED TO
	ANGLES ± -	CUSTOMER DRAWING	SCALE 8:1 SHEET 1 OF 1 REV B
	FINISH		