



**230-015**  
**MIL-DTL-26482 Series I Type Hermetic**  
**Bayonet Coupling Jam Nut Receptacle**  
**MS3114 Type**



MIL-DTL  
26482 Type

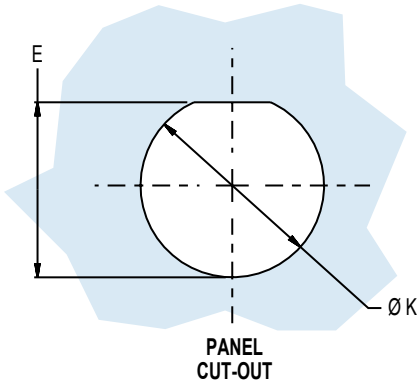


TABLE II	
Contact Size	Ø P
22D	.011
	.015
20	.024
	.028
16	.0635
	.0615
12	.095
	.093

HERMETIC LEAK RATE MOD CODES	
Designator	Required Leak Rate
-585A	1 x 10 <sup>-10</sup> cc's Helium per second
-585B	1 x 10 <sup>-9</sup> cc's Helium per second
-585C	1 x 10 <sup>-8</sup> cc's Helium per second

**TABLE I: CONNECTOR AND CUT-OUT DIMENSIONS (Continued Below)**

Shell Size	A Max	B Dia +.000 -.032 (0.8)	C Flat +.000 -.010 (0.3)	E +.010 (0.3) -.005 (0.1)	F Min	G ± .020 (0.5)	J O-Ring Seal MS29513-
8	.954 (24.2)	1.078 (27.4)	.530 (13.5)	.540 (13.7)	.384 (9.8)	.117 (3.0)	17
10	1.078 (27.4)	1.203 (30.6)	.655 (16.6)	.665 (16.9)	.384 (9.8)	.117 (3.0)	19
12	1.266 (32.2)	1.319 (33.5)	.818 (20.8)	.828 (21.0)	.384 (9.8)	.117 (3.0)	22
14	1.391 (35.3)	1.516 (38.5)	.942 (23.9)	.952 (24.2)	.384 (9.8)	.117 (3.0)	24
16	1.516 (38.5)	1.641 (41.7)	1.062 (27.0)	1.076 (27.3)	.384 (9.8)	.117 (3.0)	26
18	1.641 (41.7)	1.766 (44.9)	1.191 (30.3)	1.201 (30.5)	.384 (9.8)	.117 (3.0)	28
20	1.812 (46.0)	1.953 (49.6)	1.316 (33.4)	1.326 (33.7)	.446 (11.3)	.148 (3.8)	128
22	1.954 (49.6)	2.078 (52.8)	1.441 (36.6)	1.451 (36.9)	.446 (11.3)	.148 (3.8)	130
24	2.078 (52.8)	2.203 (56.0)	1.566 (39.8)	1.576 (40.0)	.479 (12.2)	.148 (3.8)	132

**TABLE I (Continued): CONNECTOR AND CUT-OUT DIMENSIONS**

Shell Size	K +.010 (0.3) -.005 (0.1)	L Max	M +.031 (0.8) -.000	R Max	S Panel Thickness		T O-Ring .011 (0.3)	V Thread UNEF-2A
					Min	Max		
8	.572	.875 (22.2)	.691 (17.6)	.329	.062 (1.6)	.125 (3.2)	.023 (0.6)	.5625-24
10	.697	.875 (22.2)	.691 (17.6)	.477	.062 (1.6)	.125 (3.2)	.023 (0.6)	.685-24
12	.885	.875 (22.2)	.691 (17.6)	.564	.062 (1.6)	.125 (3.2)	.023 (0.6)	.875-20
14	1.010	.875 (22.2)	.691 (17.6)	.689	.062 (1.6)	.125 (3.2)	.023 (0.6)	1.000-20
16	1.135	.875 (22.2)	.691 (17.6)	.814	.062 (1.6)	.125 (3.2)	.023 (0.6)	1.125-18
18	1.260	.875 (22.2)	.691 (17.6)	.907	.062 (1.6)	.125 (3.2)	.023 (0.6)	1.250-18
20	1.385	1.094 (27.8)	.879 (22.3)	1.039	.062 (1.6)	.250 (6.4)	.028 (0.7)	1.375-18
22	1.510	1.094 (27.8)	.879 (22.3)	1.164	.062 (1.6)	.250 (6.4)	.028 (0.7)	1.500-18
24	1.635	1.125 (28.6)	.912 (23.2)	1.289	.062 (1.6)	.250 (6.4)	.028 (0.7)	1.625-18