



**230-019**  
**MIL-DTL-26482 Series II Type Hermetic**  
**Quick Release Bayonet Receptacle**  
**Single Hole Jam-Nut Mount MS3443 Type**

**Connector Style**  
 019 = Hermetic Jam-Nut Single Hole Mount Receptacle

**Insert Arrangement**  
 Per MIL-STD-1669

**Alternate Insert Arrangement**  
 W, X, Y or Z  
 (Omit for Normal)

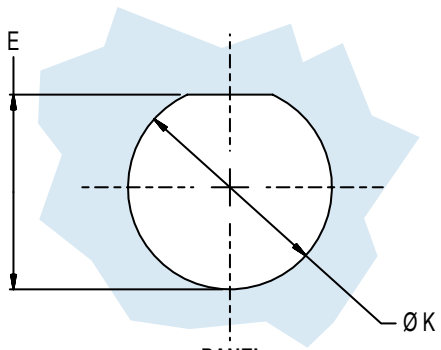
**230 - 019 FT 10 - 6 P X**

**Series 230 MIL-DTL-26482 Type**

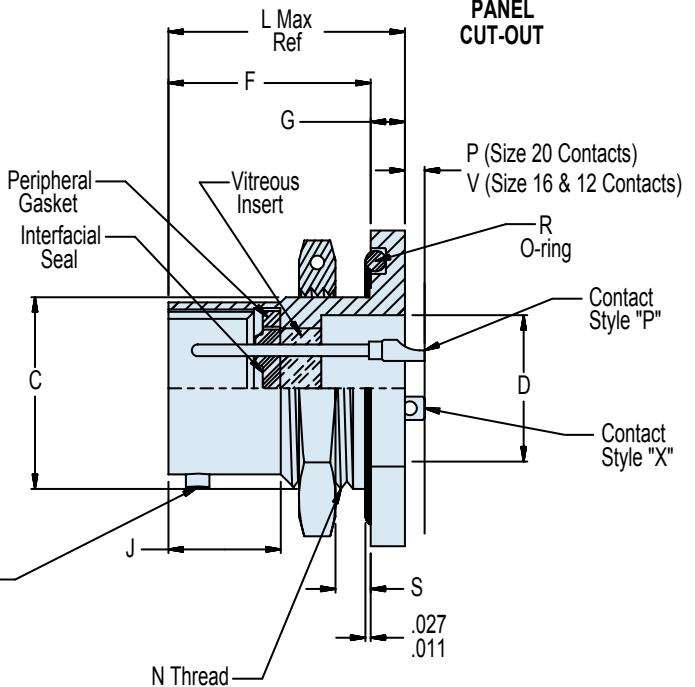
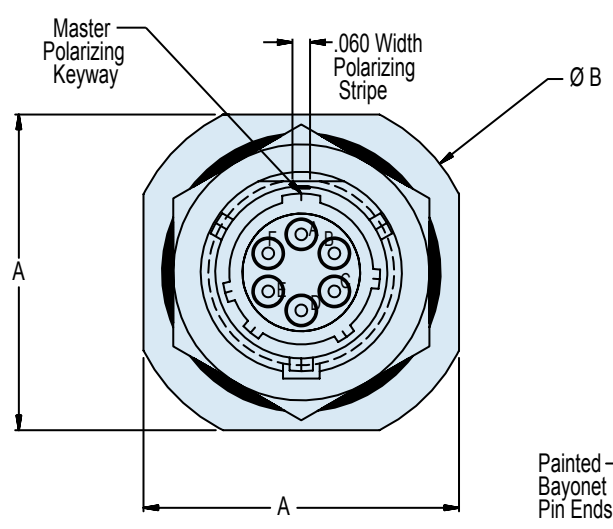
**Material/Finish**  
 Z1 = Stainless Steel/Passivated  
 FT = C1215 Stainless Steel/Tin Plated (See Note 2)

**Shell Size**

**Contact Type**  
 P = Solder Cup, Pin Face  
 X = Eyelet, Pin Face



**D**



**APPLICATION NOTES**

- To be identified with manufacturer's name, part number and date code, space permitting.
- Material/Finish:  
 Shell: Z1 - 304L stainless steel/passivate.  
 FT - C1215 stainless steel/tin plated.  
 Titanium and Inconel® available. Consult factory.  
 Contacts - 52 Nickel alloy/gold plate.  
 Bayonets - Stainless steel/passivate.  
 Seals - Silicone elastomer/N.A.  
 Insulation - Glass/N.A.
- Consult factory and/or MIL-STD-1669 for arrangement and insert position options.
- Glenair 230-019 will mate with any QPL MIL-DTL-26482 Series II bayonet coupling plug of same size and insert polarization.
- Performance:  
 Hermeticity -  $<1 \times 10^{-7}$  cc/sec @ 1 atm differential.  
 Dielectric withstanding voltage - Consult factory or MIL-STD-1669.  
 Insulation resistance - 5000 megohms min @500VDC.
- Metric Dimensions (mm) are indicated in parentheses.

**230-019**  
**MIL-DTL-26482 Series II Type Hermetic**  
**Quick Release Bayonet Receptacle**  
**Single Hole Jam-Nut Mount MS3443 Type**



MIL-DTL  
26482 Type

**TABLE I: CONNECTOR AND CUT-OUT DIMENSIONS (Continued Below)**

| Shell Size | A Length<br>+ .000 - .031<br>(+0 -0.8) | B Dia<br>+ .000 - .031<br>(+0 -0.8)<br>Across Flange<br>Corner | C<br>+.000 - .010<br>(+0 -0.3)<br>Mounting<br>Flat | D Dia<br>Min | E<br>Panel Flat<br>Location | F<br>Mounting<br>Flange<br>Location | G<br>Mounting<br>Flange<br>Thickness | J<br>To Thread<br>Chamfer<br>± .010 (0.3) | K<br>+ .010 - .005<br>(+0.3 -0.1)<br>Panel<br>Mounting Hole |
|------------|--|--|--|--------------|-----------------------------|-------------------------------------|--------------------------------------|---|---|
| 8          | .954 (24.2)                            | 1.078 (27.4)   | .530 (13.5)  | .403 (10.2)  | .536 (13.6)                 | .707/.691<br>(18.0/17.6)            | .113/.097<br>(2.9/2.5)               | .368 (9.3)                                | .572 (14.5)   |
| 10         | 1.078 (27.4)                           | 1.203 (30.6)   | .655 (16.6)  | .515 (13.1)  | .661 (16.8)                 | .707/.691<br>(18.0/17.6)            | .113/.097<br>(2.9/2.5)               | .368 (9.3)                                | .697 (17.7)   |
| 12         | 1.266 (32.2)                           | 1.391 (35.3)   | .818 (20.8)  | .630 (16.0)  | .824 (20.9)                 | .707/.691<br>(18.0/17.6)            | .113/.097<br>(2.9/2.5)               | .368 (9.3)                                | .885 (22.5)   |
| 14         | 1.391 (35.3)                           | 1.516 (38.5)   | .942 (23.9)  | .755 (19.2)  | .948 (24.1)                 | .707/.691<br>(18.0/17.6)            | .113/.097<br>(2.9/2.5)               | .368 (9.3)                                | 1.010 (25.7)  |
| 16         | 1.516 (38.5)                           | 1.641 (41.7)   | 1.062 (27.0)                                       | .880 (22.4)  | 1.072 (27.2)                | .707/.691<br>(18.0/17.6)            | .113/.097<br>(2.9/2.5)               | .368 (9.3)                                | 1.135 (28.8)  |
| 18         | 1.641 (41.7)                           | 1.766 (44.9)   | 1.191 (30.3)                                       | .980 (24.9)  | 1.197 (30.4)                | .707/.691<br>(18.0/17.6)            | .113/.097<br>(2.9/2.5)               | .368 (9.3)                                | 1.260 (32.0)  |
| 20         | 1.828 (46.4)                           | 1.954 (49.6)   | 1.316 (33.4)                                       | 1.105 (28.1) | 1.322 (33.6)                | .772/.754<br>(19.6/19.2)            | .148/.128<br>(3.8/3.3)               | .368 (9.3)                                | 1.385 (35.2)  |
| 22         | 1.954 (49.6)                           | 2.078 (52.8)   | 1.441 (36.6)                                       | 1.230 (31.2) | 1.447 (36.8)                | .772/.754<br>(19.6/19.2)            | .148/.128<br>(3.8/3.3)               | .368 (9.3)                                | 1.510 (38.4)  |
| 24         | 2.078 (52.8)                           | 2.203 (56.0)   | 1.566 (39.8)                                       | 1.385 (35.2) | 1.572 (39.9)                | .803/.785<br>(20.4/19.9)            | .148/.128<br>(3.8/3.3)               | .395 (10.0)                               | 1.635 (41.5)  |

D

**TABLE I (Continued): CONNECTOR AND CUT-OUT DIMENSIONS**

| Shell Size | L<br>Overall<br>Length | N<br>UNEF-2A<br>Mounting Thread | P                      | R<br>O-Ring Seal<br>MS29513- | S<br>Panel Thickness |            | V                      | Max.<br>Weight<br>(Lbs) |
|------------|------------------------|---------------------------------|------------------------|------------------------------|----------------------|------------|------------------------|-------------------------|
|            |                        |                                 |                        |                              | Min                  | Max        |                        |                         |
| 8          | .820 (20.8)            | .5625-24                        | .134/.074<br>(3.4/1.9) | 16                           | .062 (1.6)           | .187 (4.7) | .204/.144<br>(5.2/3.7) | .0430                   |
| 10         | .820 (20.8)            | .6875-24                        | .134/.074<br>(3.4/1.9) | 18                           | .062 (1.6)           | .187 (4.7) | .204/.144<br>(5.2/3.7) | .0610                   |
| 12         | .820 (20.8)            | .875-20                         | .134/.074<br>(3.4/1.9) | 21                           | .062 (1.6)           | .187 (4.7) | .204/.144<br>(5.2/3.7) | .0880                   |
| 14         | .820 (20.8)            | 1.000-20                        | .134/.074<br>(3.4/1.9) | 23                           | .062 (1.6)           | .187 (4.7) | .204/.144<br>(5.2/3.7) | .1100                   |
| 16         | .820 (20.8)            | 1.125-18                        | .134/.074<br>(3.4/1.9) | 25                           | .062 (1.6)           | .187 (4.7) | .204/.144<br>(5.2/3.7) | .1310                   |
| 18         | .820 (20.8)            | 1.250-18                        | .134/.074<br>(3.4/1.9) | 27                           | .062 (1.6)           | .187 (4.7) | .204/.144<br>(5.2/3.7) | .1720                   |
| 20         | .920 (23.4)            | 1.375-18                        | .099/.039<br>(2.5/1.0) | 29                           | .062 (1.6)           | .250 (6.4) | .169/.109<br>(4.3/2.8) | .2110                   |
| 22         | .920 (23.4)            | 1.500-18                        | .099/.039<br>(2.5/1.0) | 30                           | .062 (1.6)           | .250 (6.4) | .169/.109<br>(4.3/2.8) | .2420                   |
| 24         | .951 (24.2)            | 1.625-18                        | .099/.009<br>(2.5/0.2) | 31                           | .062 (1.6)           | .250 (6.4) | .139/.079<br>(3.5/2.0) | .2930                   |