

GENERAL DESCRIPTION

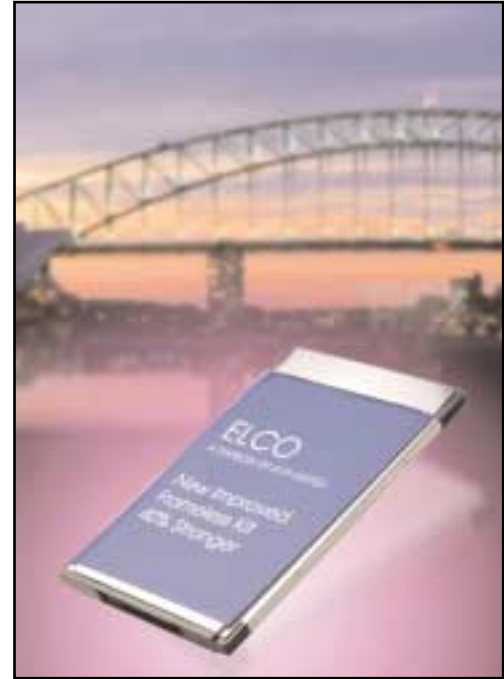
NEW IMPROVED FRAMELESS KIT FROM AVX/ELCO EUROPE – 9180 SERIES

AVX/Elco introduce an improved PCMCIA frameless kit with increased strength/torque. The design provides approximately 40 % improvement in strength/torque than the previous version. Modifying the AVX/Elco unique interlocking mechanism and increasing the thickness of the metal covers have helped to achieve this. These improvements will not compromise the printed circuit board (PCB) space within the kit and therefore still offers the user the greatest PCB board space available in the market.

Due to the improvements made to the interlocking mechanism the assembly process has been simplified. The kit can now be assembled by using a very simple and inexpensive bench press tool. The actual assembly time, i.e. to assemble the kit will take approximately 20 seconds. Typically, a single tooling press can easily assemble in excess of 340K kits per annum.

The kit can be modified to incorporate holes for Antenna, Slot for SIM CARD reader and extended plastic bulge, hence the final product could be developed for specific applications such as WLAN Card, Bluetooth Card, GPRS Card as well as Fax/modem cards.

The top/bottom covers offer excellent RF shielding at 2.4Ghz and at 5Ghz, and this product has been tested and approved to IEEE802.11 by AVX/Elco end OEM customers.



APPLICATION AREAS

- Bluetooth
- GPRS PC Cards
- WLAN
- Fax/modem



KEY FEATURES AND BENEFITS

- The kit strength/torque has been improved by approximately 40%.
- Greatest PCB board spacing available in the market hence allowing Engineers to compact more electronics.
- The kit can be assembled by using a very simple bench press tool.
- Kit can be modified to incorporate plastic extension, holes for LEDs and slots for SIM card reader.
- Top/bottom covers made from high grade stainless steel, hence will offer excellent RF shielding at 2.4GHz and at 5GHz.
- Standard product offering available in 68 position connector – includes 0mm offset, 0.4mm offset and 0.6mm offset.
- Optional plastic extension (30mm long x 5mm height, or 30mm long x 10mm height) available. Additional holes for MMCX can be incorporated at no extra cost.

HOW TO ORDER

3X - 9180 - XXXX - XX - XXX

PREFIX

3 = STANDARD FRAMELESS KIT

X = 0 OR 1

CODE	VOLTAGE KEY
0	5.0V
1	3.3V

SERIES

I / O CONNECTOR

CODE	DESCRIPTION
0001	BLANK I / O
0002	15 WAY I / O WITHOUT COAX
0003	15 WAY I / O WITH COAX
0011	EXTENDED 30 x 5 - NO COAX
0012	EXTENDED 30 x 10 - NO COAX
0013	EXTENDED 30 x 10 - TWIN COAX*
0014	EXTENDED 30 x 10 - COAX RIGHT*
0015	EXTENDED 30 x 10 - COAX LEFT*

*Coax versions have a suitable hole in the end of the kit.
The coax connectors are not included with the kit.

68 POSITION CONNECTOR

CODE	CONTACT ROWS	CARDBUS	PCB OFFSET
00	DOUBLE	NO	0.4mm DOWN
01	SINGLE	NO	0.4mm DOWN
02	SINGLE	YES	0.4mm DOWN

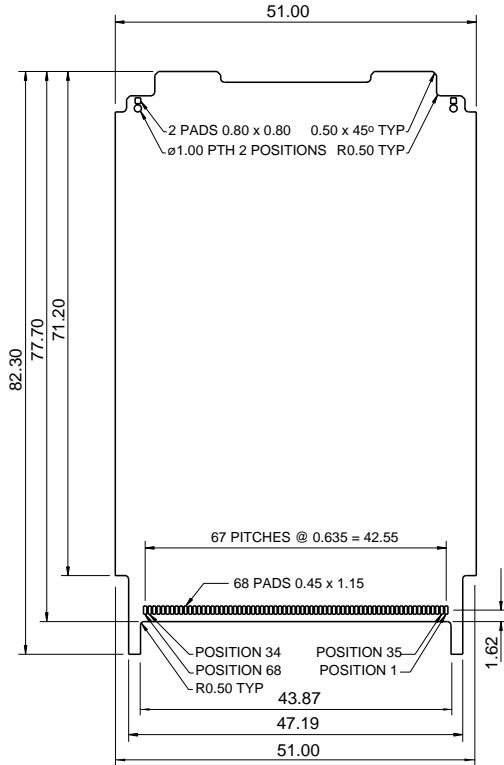
Contact factory for other Offsets

PACKAGING DETAILS

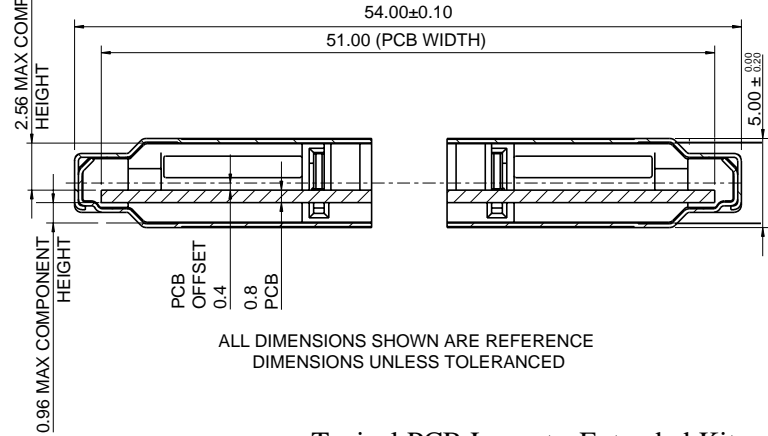
CODE	PACKAGING TYPE	PACKAGING QUANTITY	PACKAGING DETAIL
001	TRAY	576 (12 TRAYS)	48 PER TRAY
002	TAPE AND REEL	576 PER 330mm REEL	576 PER 330mm REEL
003	TUBE	576 (64 TUBES)	9 PER TUBE

DIMENSIONS

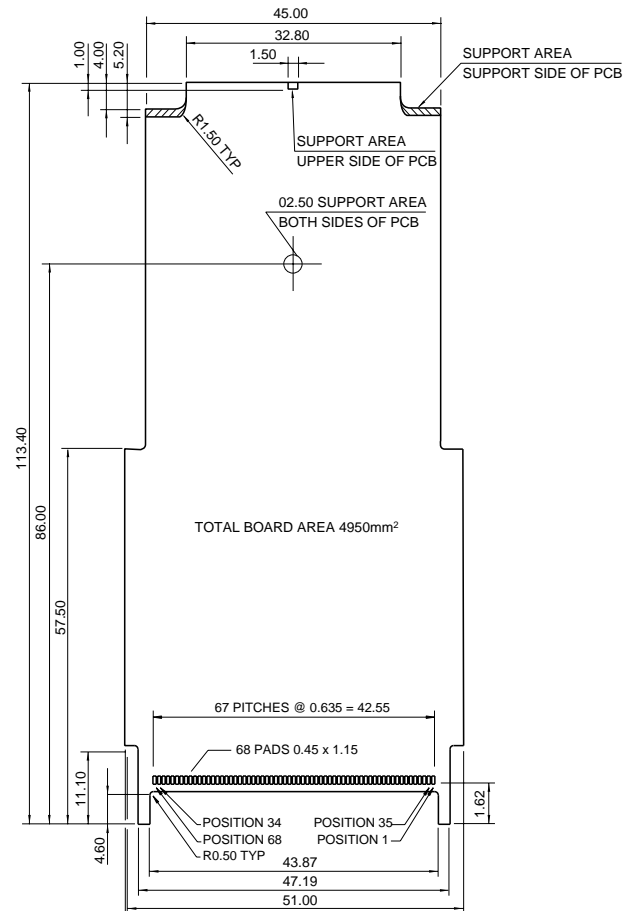
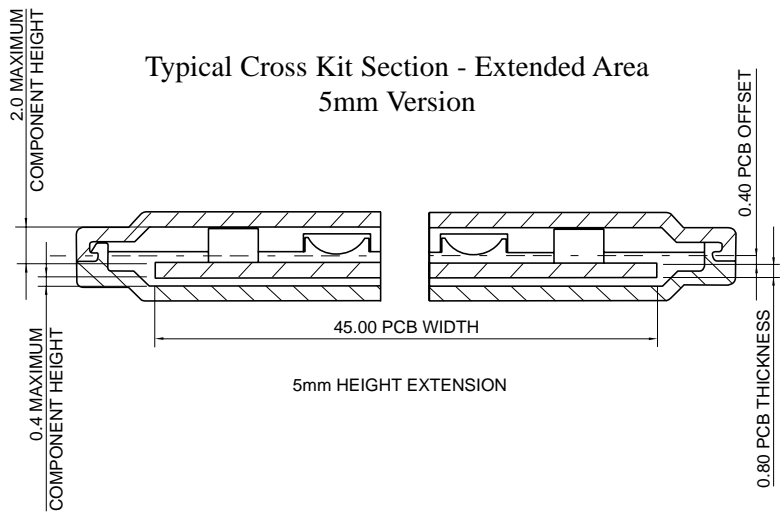
Typical PCB Layout



Typical Cross Section View

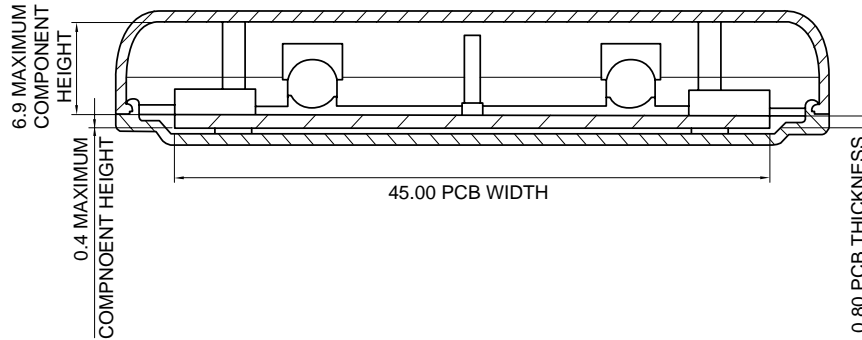


Typical PCB Layout - Extended Kit



All dimensions are shown in mm

Typical Cross kit section - Extended area
10mm Version



NOTICE: Specifications are subject to change without notice. Contact your nearest AVX Sales Office for the latest specifications. All statements, information and data given herein are believed to be accurate and reliable, but are presented without guarantee, warranty, or responsibility of any kind, expressed or implied. Statements or suggestions concerning possible use of our products are made without representation or warranty that any such use is free of patent infringement and are not recommendations to infringe any patent. The user should not assume that all safety measures are indicated or that other measures are indicated or that other measures may not be required. Specifications are typical and may not apply to all applications.



USA

AVX Myrtle Beach, SC Corporate Offices Tel: 843-448-9411 Fax: 843-626-5292	AVX Southwest, AZ Tel: 480-539-1496 Fax 480-539-1501
AVX Northwest, WA Tel: 360-669-8746 Fax: 360-699-8751	AVX South Central, TX Tel: 972-669-1223 Fax: 972-669-2090
AVX North Central, IN Tel: 317-848-7153 Fax: 317-844-9314	AVX Southeast, NC Tel: 919-878-6357 Fax: 919-878-6462
AVX Mid-Pacific, MN Tel: 952-974-9155 Fax: 952-974-9179	AVX Canada Tel: 905-564-8959 Fax: 905-564-9728

EUROPE

AVX Limited, England European Headquarters Tel: ++44 (0)1252 770000 Fax: ++44 (0)1252 770001	AVX GmbH, Germany - AVX Tel: ++49 (0) 8131 9004-0 Fax: ++49 (0) 8131 9004-44
AVX/ELCO, England Tel: ++44 (0)1638 675000 Fax: ++44 (0)1638 675001	AVX srl, Italy Tel: ++390 (0)2 614571 Fax: ++390 (0)2 614 2576
AVX S.A., France Tel: ++33 (1) 69.18.46.00 Fax: ++33 (1) 69.28.73.87	AVX Czech Republic s.r.o. Tel: ++420 (0)465 358111 Fax: ++420 (0)465 323010

ASIA-PACIFIC

AVX/Kyocera, Singapore Asia-Pacific Headquarters Tel: (656) 258-2833 Fax: (656) 350-4880	AVX/Kyocera, China Tel: (86) 21-6249-0314-16 Fax: (86) 21-6249-0313
AVX/Kyocera, Hong Kong Tel: (852) 2-363-3303 Fax: (852) 2-765-8185	AVX/Kyocera, Malaysia Tel: (60) 4-228-1190 Fax: (60) 4-228-1196
AVX/Kyocera, Korea Tel: (82) 2-785-6504 Fax: (82) 2-784-5411	Elco, Japan Tel: 045-943-2906/7 Fax: 045-943-2910
AVX/Kyocera, Taiwan Tel: (886) 2-2696-4636 Fax: (886) 2-2696-4237	Kyocera, Japan - AVX Tel: (81) 75-604-3426 Fax: (81) 75-604-3425
	Kyocera, Japan - KDP Tel: (81) 75-604-3424 Fax: (81) 75-604-3425

<http://www.avxcorp.com>