

**PLEASE CHECK WWW.MOLEX.COM FOR LATEST PART INFORMATION**

**Part Number:** [0010101068](#)  
**Status:** **Active**  
**Overview:** [kk](#)  
**Description:** 5.08mm (.200") Pitch KK® PC Board Connector, Top Entry Mount Style C, 0.38µm (15µ") Gold (Au), 6 Circuits

**Documents:**

[3D Model](#) [Product Specification PS-99020-0087 \(PDF\)](#)  
[Drawing \(PDF\)](#) [RoHS Certificate of Compliance \(PDF\)](#)

**Agency Certification**

CSA LR19980  
 UL E29179

**General**

Product Family PCB Receptacles  
 Series [3002](#)  
 Application Board-to-Board  
 Overview [kk](#)  
 Product Name KK®

**Physical**

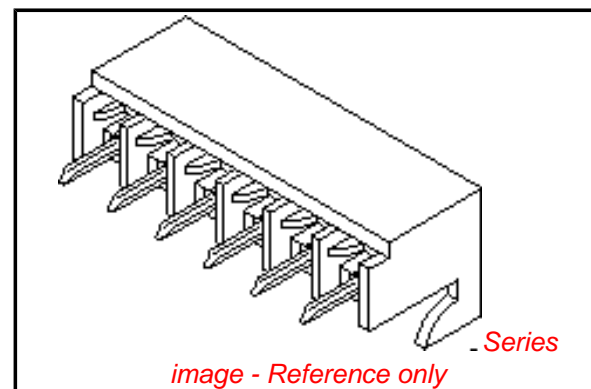
Circuits (Loaded) 6  
 Color - Resin Natural  
 Durability (mating cycles max) 25  
 Flammability 94V-2  
 Glow-Wire Compliant No  
 Material - Metal Phosphor Bronze  
 Material - Plating Mating Gold  
 Material - Plating Termination Gold  
 Material - Resin Nylon  
 Number of Rows 1  
 Orientation Vertical  
 PC Tail Length (in) 0.110 In  
 PC Tail Length (mm) 2.79 mm  
 PCB Locator No  
 PCB Retention None  
 PCB Thickness Recommended (in) 0.062 In  
 PCB Thickness Recommended (mm) 1.60 mm  
 Packaging Type Tray  
 Pitch - Mating Interface (in) 0.200 In  
 Pitch - Mating Interface (mm) 5.08 mm  
 Plating min: Mating (µin) 15  
 Plating min: Mating (µm) 0.375  
 Plating min: Termination (µin) 2  
 Plating min: Termination (µm) 0.05  
 Polarized to PCB No  
 Temperature Range - Operating 0°C to +75°C  
 Termination Interface: Style Through Hole

**Electrical**

Current - Maximum per Contact 7A  
 Voltage - Maximum 250V

**Material Info**

Old Part Number 300206CG



**EU RoHS**

**ELV and RoHS Compliant**  
**REACH SVHC**  
 Not Reviewed  
**Halogen-Free Status**  
**Not Reviewed**

**China RoHS**



**Need more information on product environmental compliance?**

Email [productcompliance@molex.com](mailto:productcompliance@molex.com)  
 For a multiple part number RoHS Certificate of Compliance, [click here](#)

Please visit the [Contact Us](#) section for any non-product compliance questions.

**Search Parts in this Series**

[3002Series](#)

**Mates With**

[3003](#) , [2599](#) , [3008](#)

**Reference - Drawing Numbers**

Product Specification  
Sales Drawing

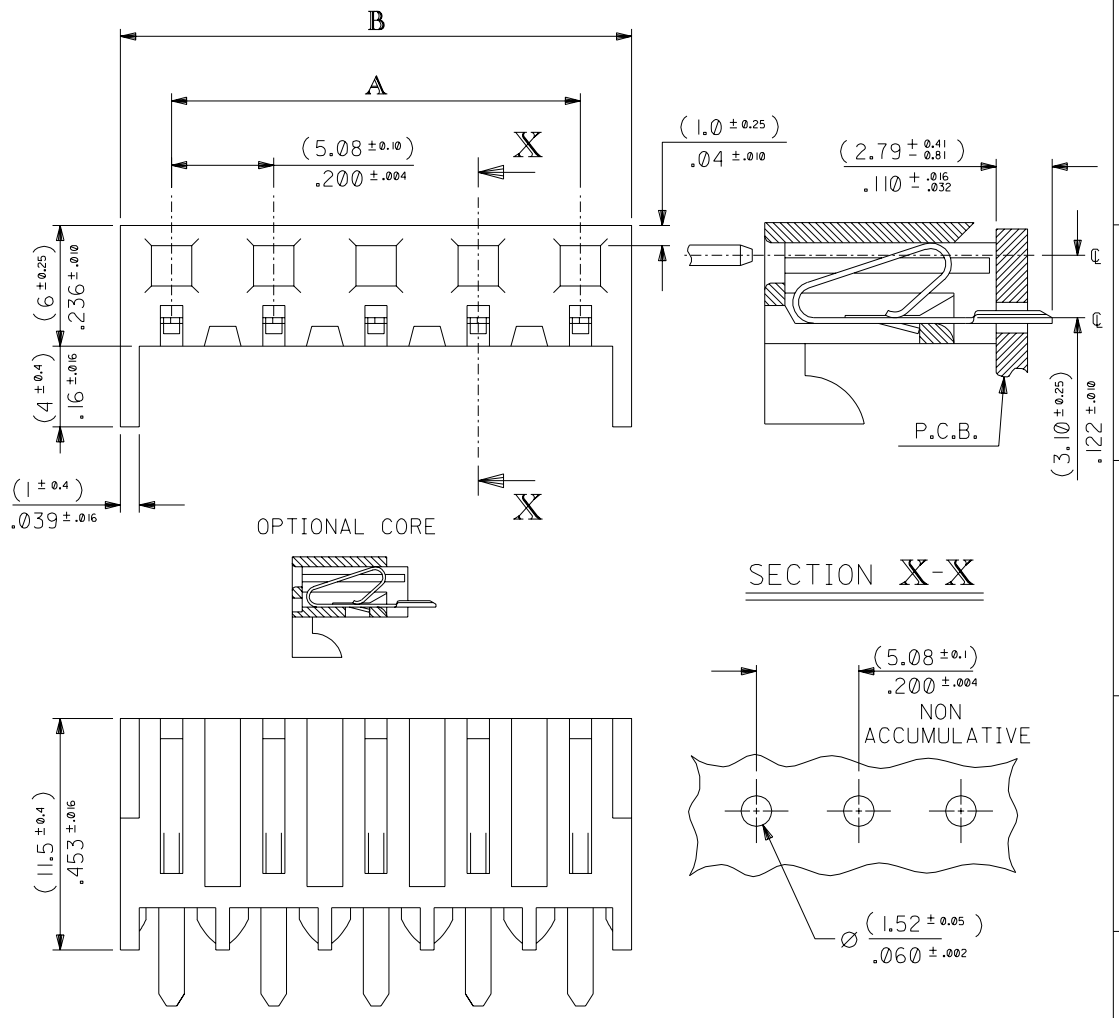
PS-99020-0087  
SDAE-3002-NCG

This document was generated on 05/21/2010

**PLEASE CHECK [WWW.MOLEX.COM](http://WWW.MOLEX.COM) FOR LATEST PART INFORMATION**

1 PART NO. SEE CHART  
2 DWG. NO. SDAE-3002-NCC

CCCT	PART No.	ENG No.	DIM A	DIM B
2	10-10-1028	AE-3002-2CG	(5.08 ± 0.10) .200 ± .004	(10.16 ± 0.2) .400 ± .008
3	↑ -1038	↑ -3CG	(10.16 ± 0.10) .400 ± .004	(15.24 ± 0.2) .600 ± .008
4	-1048	-4CG	(15.24 ± 0.10) .600 ± .004	(20.32 ± 0.15) .800 ± .006
5	-1058	-5CG	(20.32 ± 0.10) .800 ± .004	(25.40 ± 0.15) 1.000 ± .006
6	-1068	-6CG	(25.40 ± 0.10) 1.000 ± .004	(30.48 ± 0.20) 1.200 ± .008
7	-1078	-7CG	(30.48 ± 0.20) 1.200 ± .008	(35.56 ± 0.2) 1.400 ± .008
8	-1088	-8CG	(35.56 ± 0.20) 1.400 ± .008	(40.64 ± 0.20) 1.600 ± .008
9	-1098	-9CG	(40.64 ± 0.20) 1.600 ± .008	(45.72 ± 0.2) 1.800 ± .008
10	-1108	-10CG	(45.72 ± 0.20) 1.800 ± .008	(50.80 ± 0.2) 2.000 ± .008
11	-1118	-11CG	(50.80 ± 0.20) 2.000 ± .008	(55.88 ± 0.2) 2.200 ± .008
12	-1128	-12CG	(55.88 ± 0.25) 2.200 ± .010	(60.96 ± 0.2) 2.400 ± .012
13	-1138	-13CG	(60.96 ± 0.25) 2.400 ± .010	(66.04 ± 0.3) 2.600 ± .012
14	-1148	-14CG	(66.04 ± 0.25) 2.600 ± .010	(71.12 ± 0.3) 2.800 ± .012
15	-1158	-15CG	(71.12 ± 0.25) 2.800 ± .010	(76.20 ± 0.3) 3.000 ± .012
16	-1168	-16CG	(76.20 ± 0.25) 3.000 ± .010	(81.28 ± 0.3) 3.200 ± .012
17	-1178	-17CG	(81.28 ± 0.30) 3.200 ± .012	(86.36 ± 0.3) 3.400 ± .012
18	-1188	-18CG	(86.36 ± 0.30) 3.400 ± .012	(91.44 ± 0.3) 3.600 ± .012
19	↓ -1198	↓ -19CG	(91.44 ± 0.30) 3.600 ± .012	(96.52 ± 0.3) 3.800 ± .012
20	10-10-1208	AE-3002-20CG	(96.52 ± 0.30) 3.800 ± .012	(101.60 ± 0.40) 4.000 ± .016



- NOTES
- HOUSING: NYLON, 94V-2, NATURAL
  - TERMINAL: PHOS. BR, (0.00038)/.000015 MIN. SELECTIVE GOLD OVER (0.00076)/.000030 MIN. NICKEL.
  - HOUSING SUITABLE FOR (1.14±0.15)/.045±.006 RD. OR SQ. PINS
  - HOOKS AVAILABLE ON ENDS ONLY
  - FOR PRODUCT SPECIFICATION SEE PS 99020-0087

FOR PREVIOUS DRAWING ISSUES SEE MRI.

NEW PRODSPEC. 99020-0087 ADDED EC NO. E2003-0992 DRWN: PSHEAHAN 03/05/29 CHK: / / / APPR: / / /	DESCRIPTION MAJOR CRITICAL	QUALITY SYMBOLS	GENERAL TOLERANCES: (UNLESS SPECIFIED)	SCALE 4:1	DESIGN UNITS <input type="checkbox"/> mm <input type="checkbox"/> INCH	THIRD ANGLE PROJECTION	DIMENSIONS: <input type="checkbox"/> mm <input type="checkbox"/> INCH <input type="checkbox"/> mm <input type="checkbox"/> ONLY	SHT	REV
		REV	4 PLACES ±0. ±.	DRAWN BY & DATE JWP 29/07/86	<input type="checkbox"/> mm <input type="checkbox"/> INCH	TITLE: KONEKTCON AND P.C. TAIL TERMINAL ASSEMBLY (5.08)/.200 PITCH	REVISE ON CAD ONLY		
G			2 PLACES ±0. ±.	CHECKED BY & DATE					
			1 PLACE ±0. ±.	APPROVED BY & DATE					
			ANGULAR: ± °	CAD FILENAME SA3002NCC DCN	MATERIAL NO. SEE CHART	DRAWING NO. SDAE-3002-NCC			
			DRAFT WHERE APPLICABLE MUST REMAIN WITHIN DIMENSIONS	THIS DRAWING CONTAINS INFORMATION THAT IS PROPRIETARY TO MOLEX INCORPORATED AND SHOULD NOT BE USED WITHOUT WRITTEN PERMISSION.					