



CONNOR-WINFIELD CORPORATION

AURORA, IL. 60505

PHONE (708) 851-4722

FAX (708) 851-5040

OSCILLATORS

14 PIN DIP ADVANCED CMOS

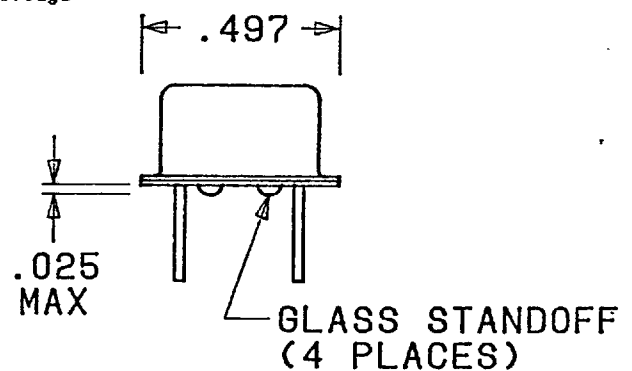
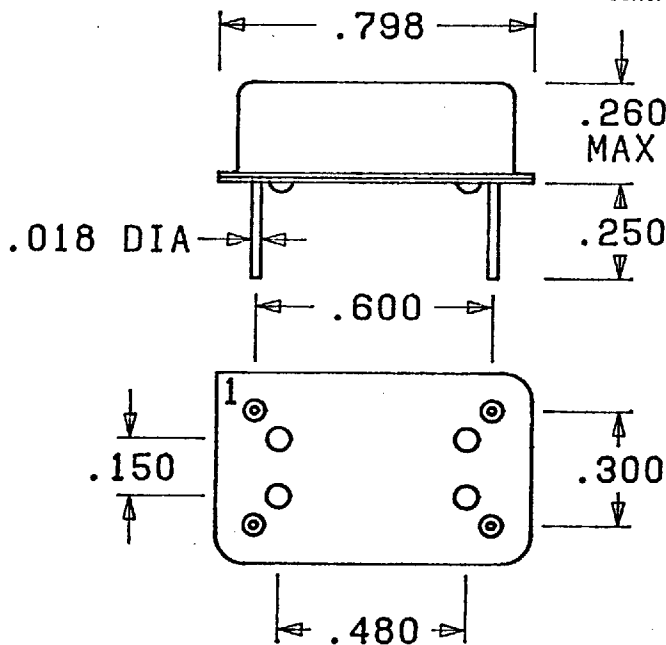
SPECIFICATIONS		AV26
Frequency Range		30MHz to 60MHz
Frequency Stability		+/-5 ppm
Temperature Range		0 to +50 degrees C
Output	Waveform	CMOS Squarewave, TTL Compatible
	Voltage	Voh 4.4V Min Vol 0.44V Max
	Duty Cycle	50/50 +/-2% Typ, +/-5% Max measured at 2.5V
	Rise/Fall Time	3nS, 15pf Load
	Current	Io: 24mA Max
Deviation		+/-10 ppm to +/-50 ppm
Control Voltage		0.5 to 5.0Vdc Positive transfer char.
Supply Voltage		+5Vdc +/-5%
Supply Current		70mA Max, 25mA Typ

EXAMPLE MODEL NO: AV26-100/44.736MHz

ACMOS Series

Min. total deviation from 0.5 to 5.0Vdc control voltage

Center Frequency



PIN	CONNECTION
1	CONTROL VOLTAGE
7	GROUND
8	OUTPUT
14	(+) SUPPLY

Dimensional Tolerance: +/- .005
All dimensions in inches

Please phone or write for additional information

3-15-91

Bulletin subject to change without notice