

Introduction

The filter described here has an easily adjustable center frequency, symmetrical skirts and an attenuation (gain) of -40(+40)dB at an octave either side of the center frequency (f_C). The filter Q ($Q = f_C/BW_{3dB} \cong 250$) does not vary significantly when the center frequency is changed, thus, the shape of the skirts is essentially independent of the pot setting. This feature yields filters that can be adjusted over a much wider frequency range than "T" type filters, the only other type of filter with such a deep notch or narrow bandpass. Now one filter type is useful in many designs. The calculation of the center frequency for the circuits shown in Figure 1 and Figure 2 is given in Equation 1 and Equation 2.

$$f_C = \frac{1}{2\pi C \sqrt{3R_1 R_2}} \quad \text{(EQ. 1)}$$

Where $R_1 = R_{1A} + \alpha R_P$

$$R_2 = R_{2A} + (1 - \alpha) R_P$$

$$R_3 = 6(R_1 + R_2) \quad \text{(EQ. 2)}$$

A basic theorem of feedback circuits is that a function generator included in a negative feedback loop computes the inverse function at the output. This approach has been used to change an excellent bandreject filter into an excellent bandpass filter. The schematic of the bandreject filter, which

is passive and comprised of C, R_1 , R_2 and R_3 is shown in Figure 1. The bandpass filter, which includes the passive network in the feedback loop, is shown in Figure 2. The bandpass filter has the advantage of high input impedance and low output impedance because of the location of the op amp. With the values shown the center frequency is adjustable from 55kHz to 550kHz producing a decade of frequency adjustment. The Intersil HA-2841 op amp is chosen as the amplifier because it has good DC characteristics and has the high gain bandwidth required to achieve the bandpass gain without distorting the filter response. R_1 should be split into R_{1A} and R_{1B} to prevent R_1 from becoming zero, and the split may be selected to obtain maximum resolution over the desired center frequency range.

A PSPICE™ plot of the circuit using the SPICE Model for the HA-2841 is shown in Figure 3. The plots are the logarithmic transfer function of both the filters (in dB). Notice that the bandreject filter transfer function, represented by the diamonds, is the mirror image of the bandpass transfer function, represented by the squares. These transfer functions change very little when they are adjusted to 550kHz center frequency. Bench test results show some deviation from the PSPICE™ simulations because of component tolerances and layout capacitances, but generally they correlate well with the simulations. The transfer functions change radically and tend to degenerate at high frequencies if low gain bandwidth op amps are used.

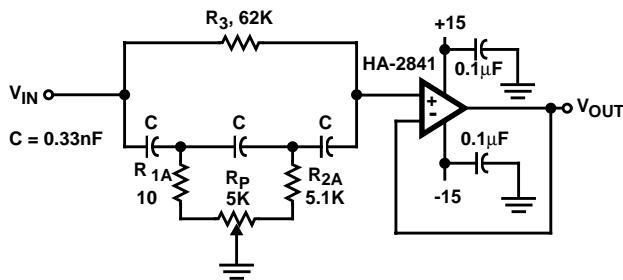


FIGURE 1. ADJUSTABLE BANDREJECT FILTER

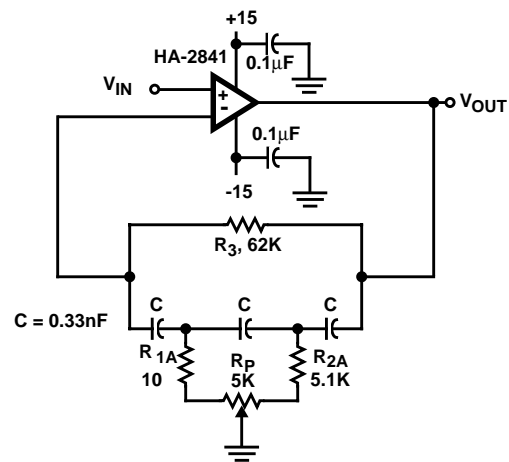


FIGURE 2. ADJUSTABLE BANDPASS FILTER

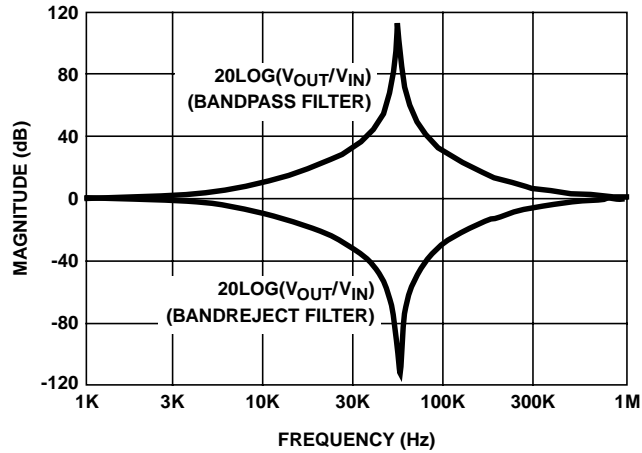


FIGURE 3. PSPICE PLOT OF FILTERS TRANSFER FUNCTION

All Intersil semiconductor products are manufactured, assembled and tested under **ISO9000** quality systems certification.

Intersil semiconductor products are sold by description only. Intersil Corporation reserves the right to make changes in circuit design and/or specifications at any time without notice. Accordingly, the reader is cautioned to verify that data sheets are current before placing orders. Information furnished by Intersil is believed to be accurate and reliable. However, no responsibility is assumed by Intersil or its subsidiaries for its use; nor for any infringements of patents or other rights of third parties which may result from its use. No license is granted by implication or otherwise under any patent or patent rights of Intersil or its subsidiaries.

For information regarding Intersil Corporation and its products, see web site www.intersil.com

Sales Office Headquarters

NORTH AMERICA

Intersil Corporation
P. O. Box 883, Mail Stop 53-204
Melbourne, FL 32902
TEL: (321) 724-7000
FAX: (321) 724-7240

EUROPE

Intersil SA
Mercure Center
100, Rue de la Fusee
1130 Brussels, Belgium
TEL: (32) 2.724.2111
FAX: (32) 2.724.22.05

ASIA

Intersil (Taiwan) Ltd.
7F-6, No. 101 Fu Hsing North Road
Taipei, Taiwan
Republic of China
TEL: (886) 2 2716 9310
FAX: (886) 2 2715 3029