

**PLEASE CHECK WWW.MOLEX.COM FOR LATEST PART INFORMATION**

**Part Number:** [0039537648](#)  
**Status:** **Active**  
**Description:** 2.54mm (.100") Pitch QF-50™, Right Angle, Dual Row with Eject Levers, Shrouded Header, 64 Circuits

**Documents:**

[3D Model](#)  
[Drawing \(PDF\)](#)

[RoHS Certificate of Compliance \(PDF\)](#)

**General**

Product Family	Ribbon Cable / Wire Trap Connectors
Series	<a href="#">5340</a>
Comments	Lever Spring Pins
Component Type	PCB Header
Glow-Wire Compliant	No
Product Name	QF-50™

**Physical**

Circuits (Loaded)	64
Color - Resin	Black
Entry Angle	90° Angle
Lock to Mating Part	Yes
Material - Metal	Brass
Material - Plating Mating	Gold
Material - Plating Termination	Tin
Number of Rows	2
PCB Locator	Yes
PCB Retention	None
PCB Thickness Recommended (in)	0.062 In
PCB Thickness Recommended (mm)	1.60 mm
Packaging Type	Tray
Pitch - Mating Interface (in)	0.100 In
Pitch - Mating Interface (mm)	2.54 mm
Plating min: Mating (µin)	0.030
Plating min: Mating (µm)	0.76
Plating min: Termination (µin)	0.040
Plating min: Termination (µm)	1.00
Polarized to Mating Part	No
Polarized to PCB	No
Shrouded	Yes
Stackable	No
Surface Mount Compatible (SMC)	No
Temperature Range - Operating	-40°C to +105°C
Wire Insulation Diameter	N/A
Wire Size AWG	N/A
Wire/Cable Type	Ribbon Cable

**Electrical**

Current - Maximum per Contact	1A
Voltage - Maximum	250V

**Material Info**

Old Part Number	5340-64BGS27F
-----------------	---------------

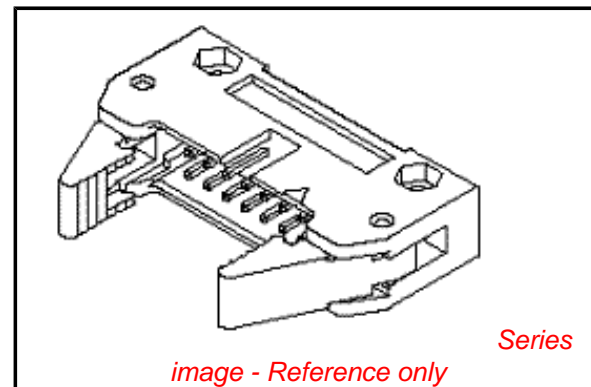


image - Reference only

**EU RoHS**

**ELV and RoHS  
Compliant**  
**REACH SVHC  
Not Reviewed**  
**Halogen-Free  
Status**

**China RoHS**



**Need more information on product  
environmental compliance?**

Email [productcompliance@molex.com](mailto:productcompliance@molex.com)  
 For a multiple part number RoHS Certificate of Compliance, [click here](#)

Please visit the [Contact Us](#) section for any non-product compliance questions.

**Search Parts in this Series**

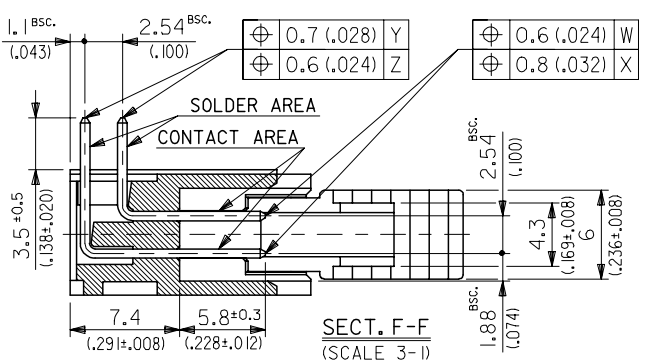
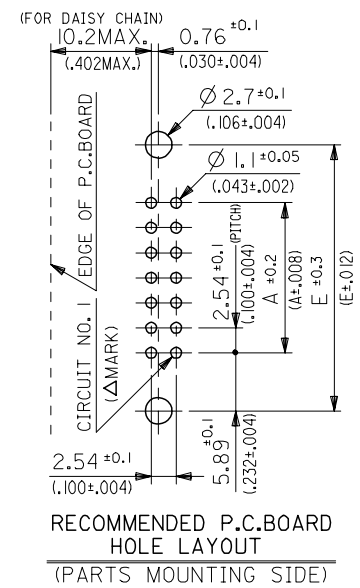
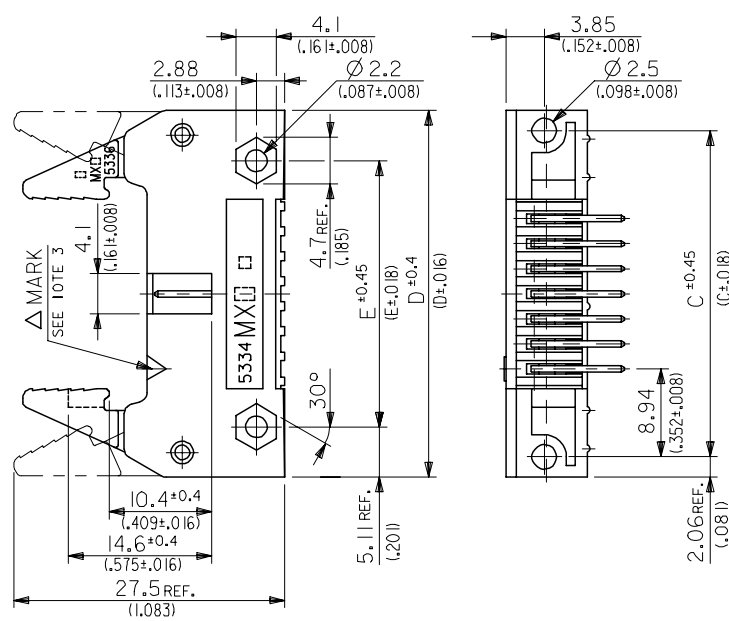
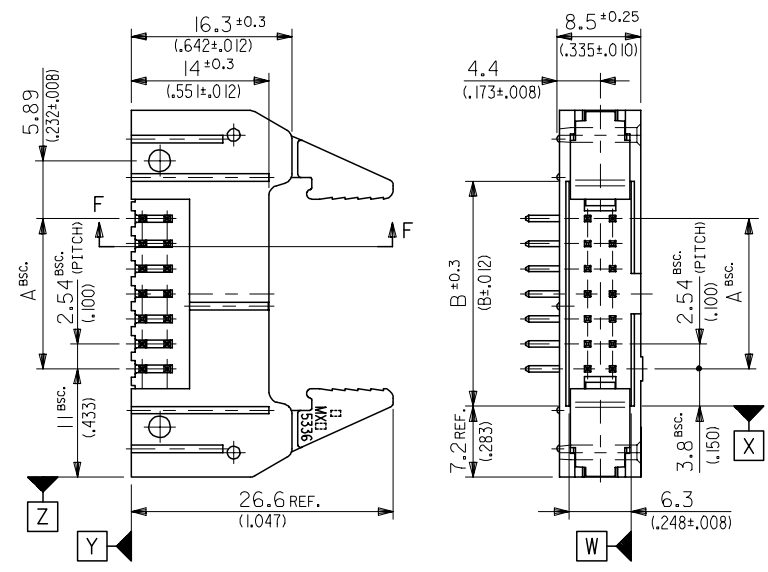
[5340Series](#)

**Mates With**

[5320](#)

**PLEASE CHECK [WWW.MOLEX.COM](http://WWW.MOLEX.COM) FOR LATEST PART INFORMATION**

10 9 8 7 6 5 4 3 2 1



NOTES 1. MATERIAL HEADER & EJECT LEVER : G.F. 15% PBTP (UL94V-0), COLOR---BLACK  
 PINS : BRASS, SIZE---  $\square$ 0.635(.025 SQ.)  
 SPRING PIN : STEEL  
 2. MATES WITH MOLEX CONNECTOR SERIES OF 5320.  
 3. LEGEND

BASE NUMBER **5340 - N B \***  
 CIRCUIT SIZE  
 WITH EJECT LEVER  
 PLATING CODE OF PIN

CODE	MARK COLOR	CONTACT AREA	SOLDER AREA	UNDER PLATE
LEAD FREE G2	ORANGE	GOLD 0.76 $\mu$ m(.00003) MIN.		NICKEL 1 $\mu$ m(.00004) MIN.
LEAD FREE G3	GREEN	GOLD 0.25 $\mu$ m(.00001) MIN.		
GS1	YELLOW	GOLD 0.1 $\mu$ m(.000004) MIN.	TIN-LEAD 3 $\mu$ m(.00012) MIN.	
GS2	BROWN	GOLD 0.76 $\mu$ m(.00003) MIN.		
GS3	BLUE	GOLD 0.25 $\mu$ m(.00001) MIN.		
GS4	GOLD	GOLD 1.27 $\mu$ m(.00005) MIN.		
LEAD FREE GS17F	YELLOW	GOLD 0.1 $\mu$ m(.000004) MIN.	TIN 1 $\mu$ m(.00004) MIN.	NICKEL 0.5 $\mu$ m(.00002) MIN.
LEAD FREE GS27F	BROWN	GOLD 0.76 $\mu$ m(.00003) MIN.		
LEAD FREE GS37F	BLUE	GOLD 0.25 $\mu$ m(.00001) MIN.		
LEAD FREE GS47F	GOLD	GOLD 1.27 $\mu$ m(.00005) MIN.		
LEAD FREE T2	BLACK	TIN 1 $\mu$ m(.00004) MIN.		

NO. OF CKTS.	DIM. A	DIM. B	DIM. C	DIM. D	DIM. E
64	78.74 (3.100)	86.34 (3.400)	96.62 (3.804)	100.74 (3.966)	90.52 (3.564)
60	73.66 (2.900)	81.26 (3.200)	91.54 (3.604)	95.66 (3.766)	85.44 (3.364)
50	60.96 (2.400)	68.56 (2.700)	78.84 (3.104)	82.96 (3.266)	72.74 (2.864)
40	48.26 (1.900)	55.86 (2.200)	66.14 (2.604)	70.26 (2.766)	60.04 (2.364)
34	40.64 (1.600)	48.24 (1.900)	58.52 (2.304)	62.64 (2.466)	52.42 (2.064)
30	35.56 (1.400)	43.16 (1.700)	53.44 (2.104)	57.56 (2.266)	47.34 (1.864)
26	30.48 (1.200)	38.08 (1.500)	48.36 (1.904)	52.48 (2.066)	42.26 (1.664)
20	22.86 (900)	30.46 (1.200)	40.74 (1.604)	44.86 (1.766)	34.64 (1.364)
A 16	17.78 (700)	25.38 (1.000)	35.66 (1.404)	39.78 (1.566)	29.56 (1.164)
14	15.24 (600)	22.84 (900)	33.12 (1.304)	37.24 (1.466)	27.02 (1.064)
10	10.16 (400)	17.76 (700)	28.04 (1.104)	32.16 (1.266)	21.94 (.864)

REVISED EC NO: J2006-0712 DRWN: YANAGI MOTO 2005/10/03 CHKD: TANAKA 2005/10/06 APPR: NUKITA 2005/10/14	GENERAL TOLERANCES (UNLESS SPECIFIED)		DIMENSION STYLE MM/IN		SCALE 2:1	DESIGN UNITS METRIC	THIRD ANGLE PROJECTION
	10 UNDER	±0.2	DRAWN BY HHIRAMOT	DATE 1989/11/13	TITLE QIK FLECS HEADER ASSY R/A WITH EJECT LEVER (ENGLISH ONLY)		
	10 OVER 30 UNDER	±0.25	CHECKED BY MSASAO	DATE			
	30 OVER	±0.3	APPROVED BY HIKESUGI	DATE	MOLEX INCORPORATED		
	ANGULAR	±3 °	MATERIAL NO. SEE SHEET 2 OF 2	DOCUMENT NO. SD-5340-002			
DRAFT WHERE APPLICABLE MUST REMAIN WITHIN DIMENSIONS		THIS DRAWING CONTAINS INFORMATION THAT IS PROPRIETARY TO MOLEX INCORPORATED AND SHOULD NOT BE USED WITHOUT WRITTEN PERMISSION					