

**PLEASE CHECK WWW.MOLEX.COM FOR LATEST PART INFORMATION**

**Part Number:** [0850130098](#)  
**Status:** **Active**  
**Overview:** [din\\_41612](#)  
**Description:** 2.54mm (.100") Pitch DIN 41612 Header, Vertical, C-Pin Press-Fit Style R/2 Reverse, 0.6µm (24µ") Selective Gold (Au), 48 Circuits, Lead free

**Documents:**

[3D Model](#) [Product Specification PS-85013-0002 \(PDF\)](#)  
[Drawing \(PDF\)](#) [RoHS Certificate of Compliance \(PDF\)](#)

**Agency Certification**

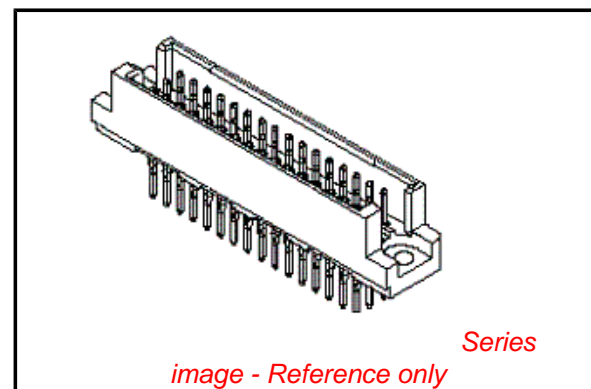
CSA LR19980  
 UL E29179

**General**

Product Family Backplane Connectors  
 Series [85013](#)  
 Application Backplane  
 Component Type PCB Header  
 Overview [din\\_41612](#)  
 Product Name IEC 603-2/DIN 41612  
 Style R/2

**Physical**

Circuits (Loaded) 48  
 Circuits (maximum) 48  
 Circuits Detail Rows A, B, & C  
 Color - Resin Gray  
 Durability (mating cycles max) 400  
 First Mate / Last Break No  
 Flammability 94V-0  
 Guide to Mating Part No  
 Keying to Mating Part Yes  
 Material - Metal Phosphor Bronze  
 Material - Plating Mating Gold  
 Material - Plating Termination Tin  
 Material - Resin Polyester  
 Number of Columns 16  
 Number of Pairs Open Pin Field  
 Number of Rows 3  
 Orientation Vertical  
 PC Tail Length (in) 0.228 In  
 PC Tail Length (mm) 5.80 mm  
 PCB Locator No  
 PCB Retention Yes  
 PCB Thickness Recommended (in) 0.062 In  
 PCB Thickness Recommended (mm) 1.60 mm  
 Packaging Type Tray  
 Pitch - Mating Interface (in) 0.100 In  
 Pitch - Mating Interface (mm) 2.54 mm  
 Pitch - Term. Interface (in) 0.100 In  
 Pitch - Term. Interface (mm) 2.54 mm  
 Plating min: Mating (µin) 24  
 Plating min: Mating (µm) 0.6  
 Plating min: Termination (µin) 16  
 Plating min: Termination (µm) 0.4



**EU RoHS**

**ELV and RoHS Compliant**  
**REACH SVHC**  
 Not Reviewed  
**Halogen-Free Status**  
 Not Reviewed

**China RoHS**



**Need more information on product environmental compliance?**

Email [productcompliance@molex.com](mailto:productcompliance@molex.com)  
 For a multiple part number RoHS Certificate of Compliance, [click here](#)

Please visit the [Contact Us](#) section for any non-product compliance questions.

**Search Parts in this Series**

[85013Series](#)

**Mates With**

[85042](#) DIN 41612 Receptacle . [85052](#) DIN 41612 Header

**Use With**

[85089-1055](#) Press-in Tool

Surface Mount Compatible (SMC)	No
Temperature Range - Operating	-55°C to +125°C
Termination Interface: Style	Through Hole - Compliant Pin

### **Electrical**

Current - Maximum per Contact	1A
Data Rate	622.0 Mbps
Voltage - Maximum	1000V (RMS)

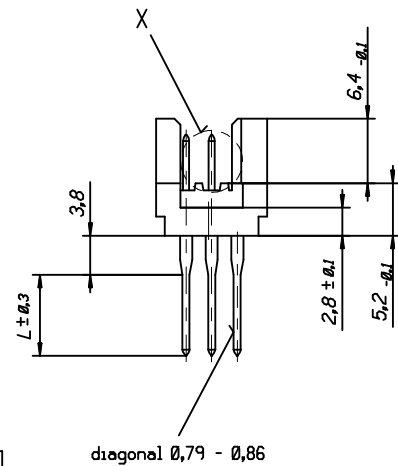
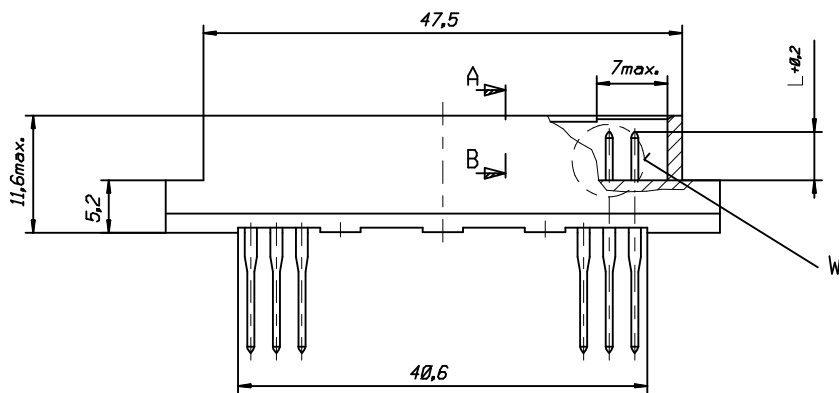
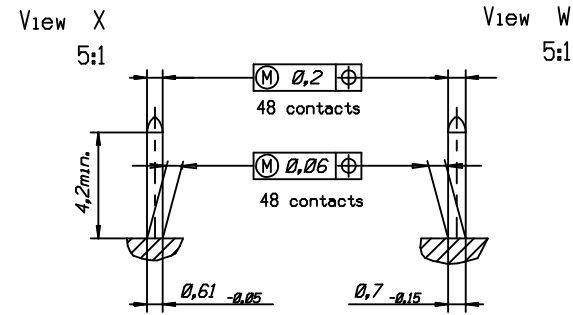
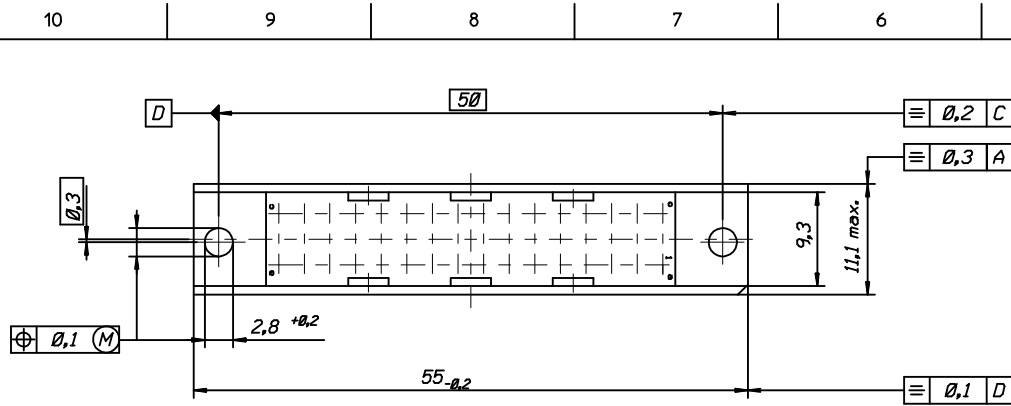
### **Material Info**

### **Reference - Drawing Numbers**

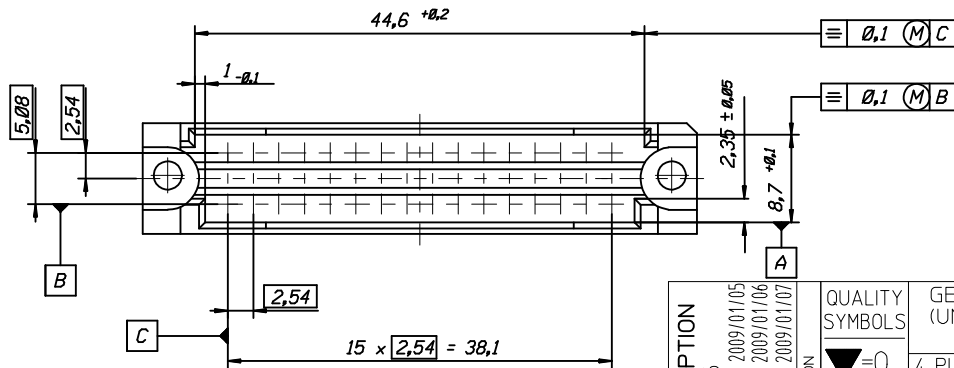
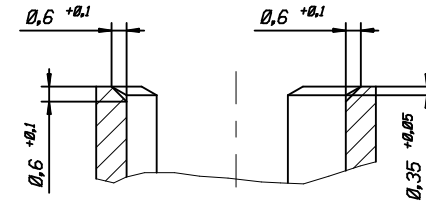
Packaging Specification	PK-85013-002
Product Specification	PS-85013-0002
Sales Drawing	609-6043-201

This document was generated on 05/17/2010

**PLEASE CHECK [WWW.MOLEX.COM](http://WWW.MOLEX.COM) FOR LATEST PART INFORMATION**



Section A - B  
5:1



REV	DESCRIPTION
1	ENTER DESCRIPTION
2	EC NO: I2009-0276
3	DRW: P.J.T 2009/01/05
4	CHK: K.PRASAD 2009/01/06
5	APP: K.PRASAD 2009/01/07

QUALITY SYMBOLS	▽ = 0
	∇ = 0

GENERAL TOLERANCES (UNLESS SPECIFIED)	
mm	INCH
4 PLACES	± ---
3 PLACES	± ---
2 PLACES	± ---
1 PLACE	± ---
ANGULAR ± ---°	
DRAFT WHERE APPLICABLE MUST REMAIN WITHIN DIMENSIONS	

DIMENSION STYLE	
MM ONLY	
DRAWN BY	DATE
ER	1992/12/16
CHECKED BY	DATE
KN	1992/12/16
APPROVED BY	DATE
KN	1992/12/16
MATERIAL NO.	
SEE TABLE	
SIZE	A3

SCALE	2:1	DESIGN UNITS	METRIC	FIRST ANGLE PROJECTION
TITLE				
48POS.MALE CONNECTOR DIN 41612 STYLE (C-PIN) DIMENSIONS				
MOLEX INCORPORATED			SHEET NO.	
DOCUMENT NO.			1 OF 4	
609-6043-201				
THIS DRAWING CONTAINS INFORMATION THAT IS PROPRIETARY TO MOLEX INCORPORATED AND SHOULD NOT BE USED WITHOUT WRITTEN PERMISSION				

48P-6043-....-6	85013-....	..	..	Wire wrap 16, 4	.....	.....
48P-6043-071L-7	85013-2220	yes	1/1	Wire wrap 13, 3	1, 2, 3...16	a+b+c
48P-6043-051L-7	85013-2218	yes	1/1	Wire wrap 13, 3	1, 2, 3...16	a+c
48P-6043-071V-7	85013-2206	yes	1	Wire wrap 13, 3	1, 2, 3...16	a+b+c
48P-6043-051V-7	85013-2191	yes	1	Wire wrap 13, 3	1, 2, 3...16	a+c
48P-6043-071L-8	85013-2189	yes	1/1	Wire wrap 9, 4	1, 2, 3...16	a+b+c
48P-6043-051L-8	85013-2177	yes	1/1	Wire wrap 9, 4	1, 2, 3...16	a+c
48P-6043-071V-8	85013-2165	yes	1	Wire wrap 9, 4	1, 2, 3...16	a+b+c
48P-6043-051V-8	85013-2153	yes	1	Wire wrap 9, 4	1, 2, 3...16	a+c
48P-6043-072V-7	85013-1029	yes	2	Wire wrap 13, 3	1, 2, 3...16	a+b+c
48P-6043-0731-8	85013-0232	no	2	Wire wrap 9, 4	1, 2, 3...16	a+b+c
48P-6043-072V-8	85013-0086	yes	2	Wire wrap 9, 4	1, 2, 3...16	a+b+c
48P-6043-0522-9	85013-0294	no	1	----- 2	1, 2, 3...16	a+c
48P-6043-0722-9	85013-1500	no	1	----- 2	1, 2, 3...16	a+b+c
48P-6043-0731-9	85013-0658	no	2	----- 2	1, 2, 3...16	a+b+c
✓ 48P-6043-072V-9	85013-0098	yes	2	----- 2	1, 2, 3...16	a+b+c
✓ 48P-6043-052V-9	85013-0062	yes	2	----- 2	1, 2, 3...16	a+c
48P-6043-071V-9	85013-0385	yes	1	----- 2	1, 2, 3...16	a+b+c
48P-6043-051V-9	85013-1110	yes	1	----- 2	1, 2, 3...16	a+c
Engineering number	Ordering code	Molex std.	Perform.level hard gold acc.MIL-645204	Termination / L	Contact sequence / row	

<b>ENTER DESCRIPTION</b> EC NO: I2009-0276 DRW:NPJT 2009/01/05 CHKD:KPRASAD 2009/01/06 APPR:KPRASAD 2009/01/07 REV DESCRIPTION	QUALITY SYMBOLS	GENERAL TOLERANCES (UNLESS SPECIFIED)	DIMENSION STYLE	SCALE	DESIGN UNITS	FIRST ANGLE PROJECTION	
	▼=0 ◻=0	mm INCH	MM ONLY	---	METRIC		
		4 PLACES ± --- ± ---	DRAWN BY DATE	TITLE			
		3 PLACES ± --- ± ---	ER 1992/12/16	48POS.MALE CONNECTOR DIN 41612 STYLE (C-PIN) DIMENSIONS			
	2 PLACES ± --- ± ---	CHECKED BY DATE	MOLEX INCORPORATED				
	1 PLACE ± --- ± ---	KN 1992/12/16	DOCUMENT NO. 609-6043-201				
	ANGULAR ± ---°	APPROVED BY DATE	SHEET NO. 2 OF 00				
		KN 1992/12/16	ENTER PART				
		MATERIAL NO.	THIS DRAWING CONTAINS INFORMATION THAT IS PROPRIETARY TO MOLEX INCORPORATED AND SHOULD NOT BE USED WITHOUT WRITTEN PERMISSION				
			DRAFT WHERE APPLICABLE MUST REMAIN WITHIN DIMENSIONS				

- 1. General : Technical Data .....  
48pos. Male connector acc.DIN 41612 style R/2  
(C-Pin)
- 2. Material :
- 2.1 Moulding material : Thermoplastic Polyester GV30 grey RAL 7032
- 2.1.1 Moulding material  
burning properties acc. to UL94 V0
- 2.1.2 Resistance against  
solvents : good
- 2.2 Pin contact : CuSn
- 2.2.1 Contact plating : Performance level I or II (Test acc.DIN 41612 part.5)
- 3. Printing : Part.No., date of manufacturing

Sheet	Dwg Issue	Date	Name	Change	Remark
1	Dimens. B	93/08/10	Ca	lead in chamfer changed	
2	Ord.code A1	93/08/10	Ca	add. div. Ordering code	
3	Data A	93/08/10	Ca	change of sheet no.	

ENTER DESCRIPTION EC NO: I2009-0276 DRW: P.JT 2009/01/05 CHK: K.PRASAD 2009/01/06 APPR: K.PRASAD 2009/01/07	QUALITY SYMBOLS ▽=0 ◻=0	GENERAL TOLERANCES (UNLESS SPECIFIED)		DIMENSION STYLE MM ONLY		SCALE N.T.S	DESIGN UNITS METRIC	FIRST ANGLE PROJECTION	
			mm	INCH	DRAWN BY ER	DATE 1992/12/16	TITLE 48POS.MALE CONNECTOR DIN 41612 STYLE (C-PIN) DIMENSIONS		
		4 PLACES	± ---	± ---	CHECKED BY KN	DATE 1992/12/16	MOLEX INCORPORATED		
		3 PLACES	± ---	± ---	APPROVED BY KN	DATE 1992/12/16	MATERIAL NO.	DOCUMENT NO.	SHEET NO.
2 PLACES	± ---	± ---	ANGULAR ± ---°		SEE TABLE		609-6043-201	3 OF 4	
1 PLACE	± ---	± ---	DRAFT WHERE APPLICABLE MUST REMAIN WITHIN DIMENSIONS		THIS DRAWING CONTAINS INFORMATION THAT IS PROPRIETARY TO MOLEX INCORPORATED AND SHOULD NOT BE USED WITHOUT WRITTEN PERMISSION				