



75N75

Power MOSFET

80Amps, 75Volts N-CHANNEL POWER MOSFET

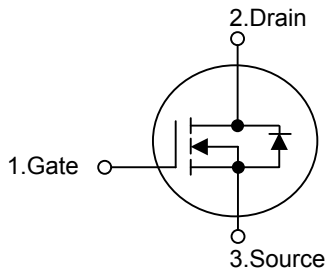
■ DESCRIPTION

The UTC **75N75** is n-channel enhancement mode power field effect transistors with stable off-state characteristics, fast switching speed, low thermal resistance, usually used at telecom and computer application.

■ FEATURES

- * $R_{DS(ON)} = 9.5m\Omega @ V_{GS} = 10V$
- * Ultra low gate charge (typical 117 nC)
- * Fast switching capability
- * Low reverse transfer Capacitance ($C_{RSS} =$ typical 240 pF)
- * Avalanche energy Specified
- * Improved dv/dt capability, high ruggedness

■ SYMBOL

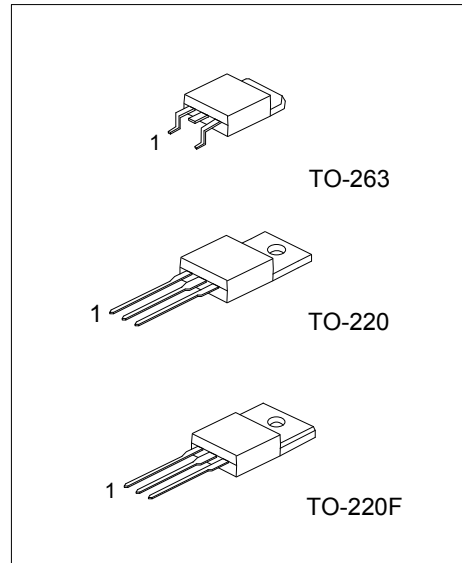


■ ORDERING INFORMATION

Ordering Number			Package	Pin Assignment			Packing
Normal	Lead Free Plating	Halogen Free		1	2	3	
75N75-TA3-T	75N75L-TA3-T	75N75G-TA3-T	TO-220	G	D	S	Tube
75N75-TF3-T	75N75L-TF3-T	75N75G-TF3-T	TO-220F	G	D	S	Tube
75N75-TQ2-T	75N75L-TQ2-T	75N75G-TQ2-T	TO-263	G	D	S	Tube
75N75-TQ2-R	75N75L-TQ2-R	75N75G-TQ2-R	TO-263	G	D	S	Tape Reel

Note: Pin Assignment: G: Gate D: Drain S: Source

<p>75N75L-TA3-R</p> <p>(1)Packing Type (2)Package Type (3)Lead Plating</p>	<p>(1) R: Tape Reel, T: Tube (2) TA3: TO-220, TF3: TO-220F, TQ2: TO-263 (3) G: Halogen Free, L: Lead Free, Blank: Pb/Sn</p>
--	---



Lead-free: 75N75L
Halogen-free:75N75G

■ ABSOLUTE MAXIMUM RATINGS

PARAMETER		SYMBOL	RATINGS	UNIT
Drain-Source Voltage		V_{DSS}	75	V
Gate-Source Voltage		V_{GSS}	± 20	V
Continuous Drain Current	$T_C = 25^\circ\text{C}$	I_D	80	A
Pulsed Drain Current (Note 2)		I_{DM}	320	A
Single Pulsed Avalanche Energy (Note 3)		E_{AS}	700	mJ
Peak Diode Recovery dv/dt (Note 4)		dv/dt	12	V/ns
Power Dissipation	TO-220/TO-263	P_D	300	W
	TO-220F		45	W
Junction Temperature		T_J	+175	$^\circ\text{C}$
Storage Temperature		T_{STG}	-55 ~ +175	$^\circ\text{C}$

Note: 1. Absolute maximum ratings are those values beyond which the device could be permanently damaged.

Absolute maximum ratings are stress ratings only and functional device operation is not implied.

2. Pulse width limited by safe operating area
3. Starting $T_J=25^\circ\text{C}$, $I_D=40\text{A}$, $V_{DD}=37.5\text{V}$
4. $I_{SD} \leq 80\text{A}$, $di/dt \leq 300\text{A}/\mu\text{s}$, $V_{DD} \leq BV_{DSS}$, $T_J \leq T_{JMAX}$

■ THERMAL DATA

PARAMETER		SYMBOL	RATINGS	UNIT
Junction to Ambient	TO-220/TO-263	θ_{JA}	62.5	$^\circ\text{C}/\text{W}$
	TO-220F		62.5	$^\circ\text{C}/\text{W}$
Junction to Case	TO-220/TO-263	θ_{JC}	0.5	$^\circ\text{C}/\text{W}$
	TO-220F		3.33	$^\circ\text{C}/\text{W}$

■ ELECTRICAL CHARACTERISTICS ($T_C = 25^\circ\text{C}$, unless otherwise specified)

PARAMETER		SYMBOL	TEST CONDITIONS	MIN	TYP	MAX	UNIT
OFF CHARACTERISTICS							
Drain-Source Breakdown Voltage		BV_{DSS}	$V_{GS} = 0\text{V}$, $I_D = 250\ \mu\text{A}$	75			V
Drain-Source Leakage Current		I_{DSS}	$V_{DS} = 75\text{V}$, $V_{GS} = 0\text{V}$			1	μA
Gate-Source Leakage Current	Forward	I_{GSS}	$V_{GS} = 20\text{V}$, $V_{DS} = 0\text{V}$			100	nA
	Reverse		$V_{GS} = -20\text{V}$, $V_{DS} = 0\text{V}$			-100	nA
ON CHARACTERISTICS							
Gate Threshold Voltage		$V_{GS(TH)}$	$V_{DS} = V_{GS}$, $I_D = 250\ \mu\text{A}$	2.0	3.0	4.0	V
Static Drain-Source On-State Resistance		$R_{DS(ON)}$	$V_{GS} = 10\text{V}$, $I_D = 40\text{A}$		9.5	11	m Ω
DYNAMIC CHARACTERISTICS							
Input Capacitance		C_{ISS}	$V_{GS} = 0\text{V}$, $V_{DS} = 25\text{V}$ $f = 1\text{MHz}$		3700		pF
Output Capacitance		C_{OSS}			730		pF
Reverse Transfer Capacitance		C_{RSS}			240		pF
SWITCHING CHARACTERISTICS							
Turn-On Delay Time		$t_{D(ON)}$	$V_{DD} = 37.5\text{V}$, $I_D = 45\text{A}$, $V_{GS} = 10\text{V}$, $R_G = 4.7\ \Omega$		25		ns
Turn-On Rise Time		t_R			100		ns
Turn-Off Delay Time		$t_{D(OFF)}$			66		ns
Turn-Off Fall Time		t_F			30		ns
Total Gate Charge		Q_G			117	160	nC
Gate-Source Charge		Q_{GS}	$V_{DS} = 60\text{V}$, $V_{GS} = 10\text{V}$		27		nC
Gate-Drain Charge		Q_{GD}	$I_D = 80\text{A}$		47		nC

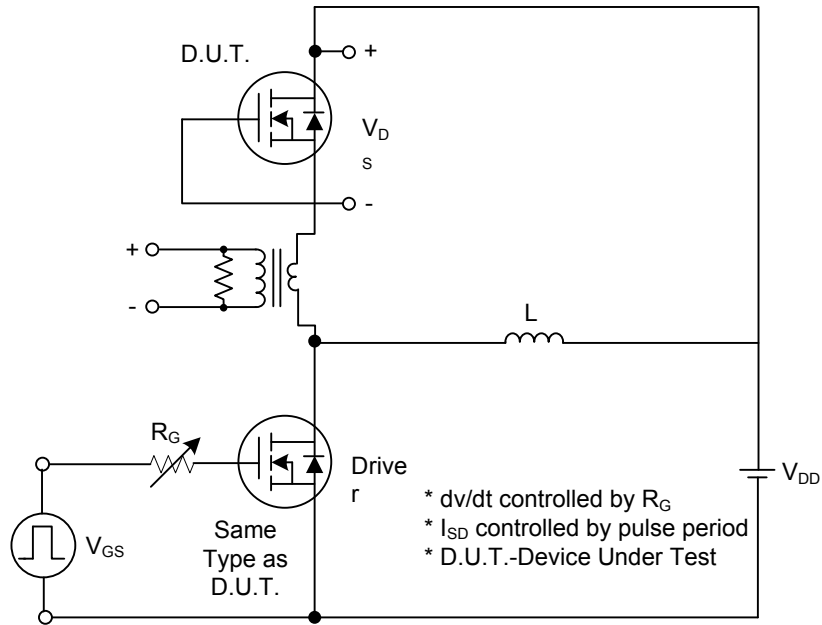
■ ELECTRICAL CHARACTERISTICS(Cont.)

PARAMETER	SYMBOL	TEST CONDITIONS	MIN	TYP	MAX	UNIT
SOURCE-DRAIN DIODE RATINGS AND CHARACTERISTICS						
Drain-Source Diode Forward Voltage (Note 2)	V_{SD}	$V_{GS} = 0\text{ V}, I_S = 80\text{ A}$			1.5	V
Continuous Source Current	I_S				80	A
Pulsed Source Current (Note 1)	I_{SM}				320	A
Reverse Recovery Time	t_{RR}	$I_S = 80\text{ A}, V_{DD} = 25\text{ V}$		132		ns
Reverse Recovery Charge	Q_{RR}	$dI_F / dt = 100\text{ A}/\mu\text{s}$		660		μC

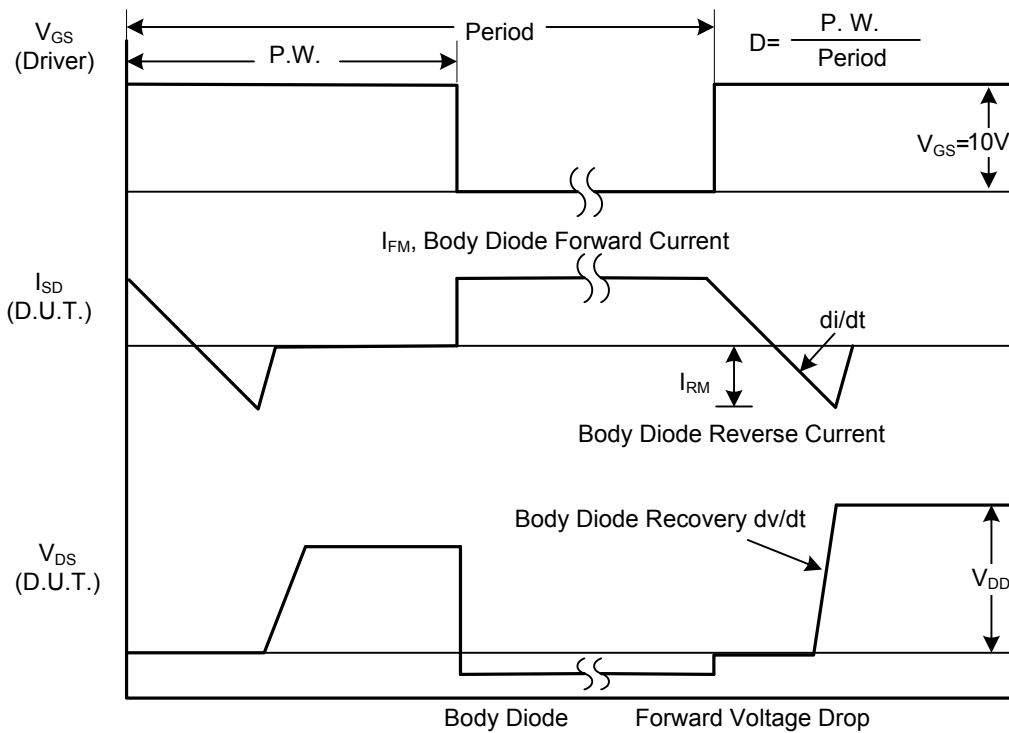
Note: 1. Pulse width limited by safe operating area

2. Pulsed: pulse duration=300 μs , duty cycle 1.5%

■ TEST CIRCUITS AND WAVEFORMS

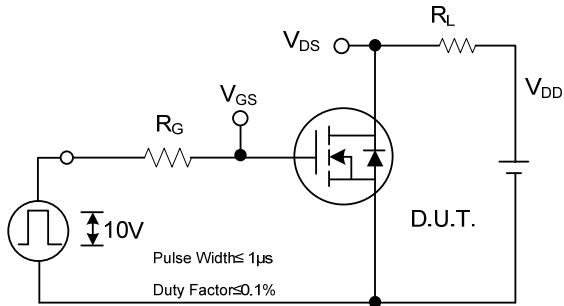


1A Peak Diode Recovery dv/dt Test Circuit

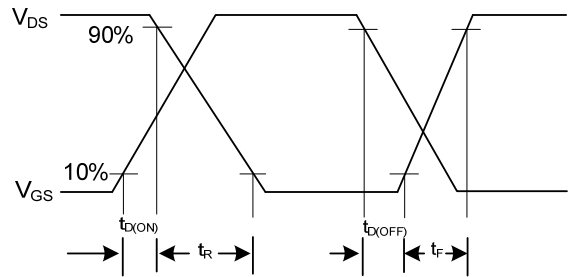


1B Peak Diode Recovery dv/dt Waveforms

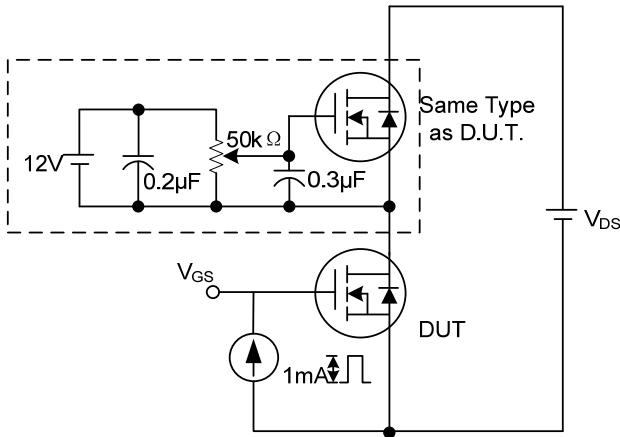
■ TEST CIRCUITS AND WAVEFORMS (Cont.)



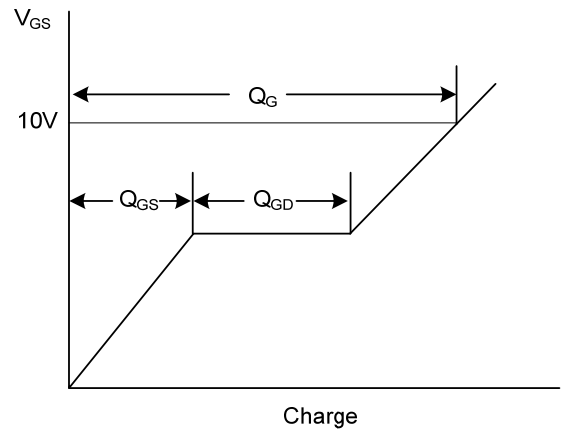
2A Switching Test Circuit



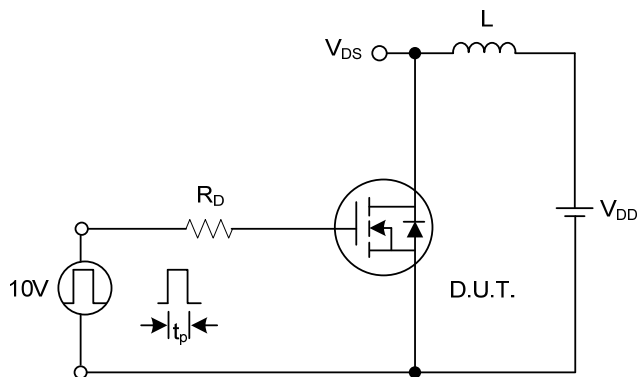
2B Switching Waveforms



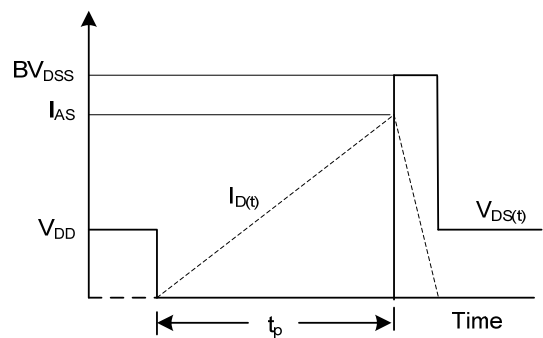
3A Gate Charge Test Circuit



3B Gate Charge Waveform

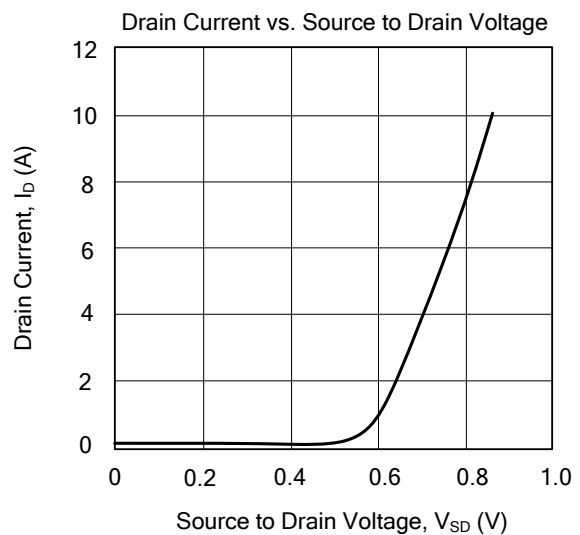
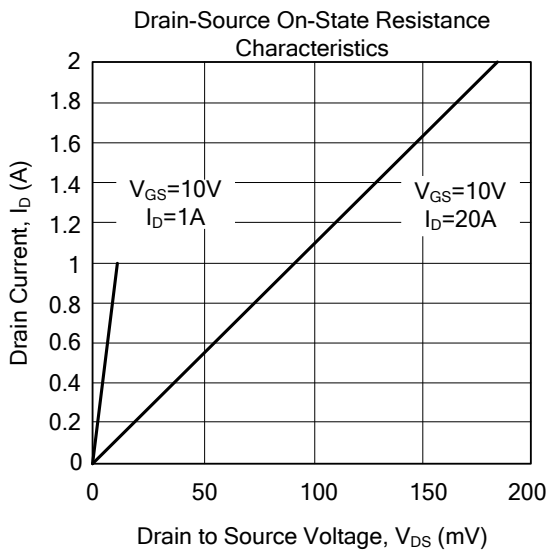
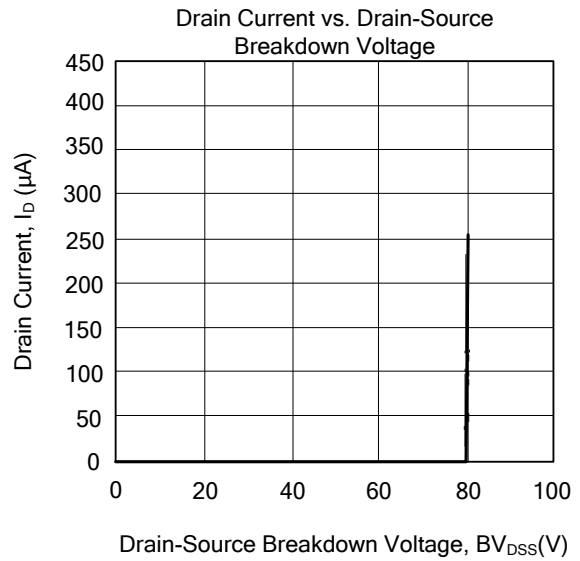
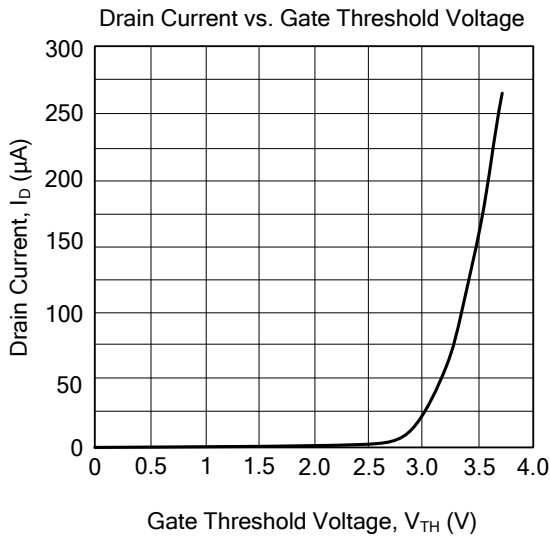


4A Unclamped Inductive Switching Test Circuit



4B Unclamped Inductive Switching Waveforms

■ TYPICAL CHARACTERISTICS



UTC assumes no responsibility for equipment failures that result from using products at values that exceed, even momentarily, rated values (such as maximum ratings, operating condition ranges, or other parameters) listed in products specifications of any and all UTC products described or contained herein. UTC products are not designed for use in life support appliances, devices or systems where malfunction of these products can be reasonably expected to result in personal injury. Reproduction in whole or in part is prohibited without the prior written consent of the copyright owner. The information presented in this document does not form part of any quotation or contract, is believed to be accurate and reliable and may be changed without notice.