



Holy Stone Enterprise Co., Ltd

MO-SAWR-A

SAW RESONATOR TRANSMITTER MODULE

315/434 MHz ASK TRANSMITTER

Description

@433.92/315MHz Remote Keyless-Entry Transmitter.

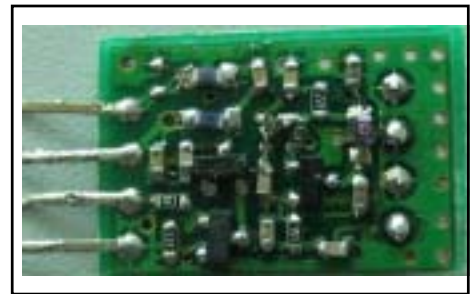
@SAW RESONATOR

@ASK

The MO-SAWR is an ASK transmitter module .

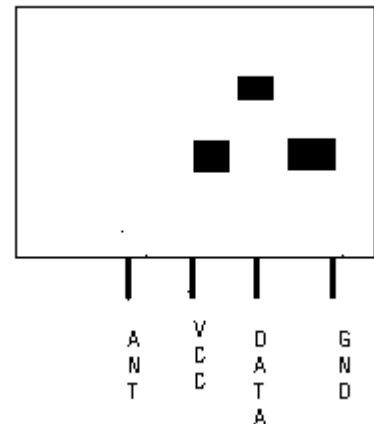
The result is excellent performance in a simple-to-use .

The MO-SAWR is designed specifically for remote-control , wireless mouse and car alarm system operating at 433.92 in the USA under FCC Part 15 regulation.



Applications

- Car security system
- Remote keyless entry
- Garage door controller
- Home security
- Wireless mouse
- Automation system



Product Identification

315MHz	MO-SAWR-AS315M
433.92MHz	MO-SAWR-AS434M

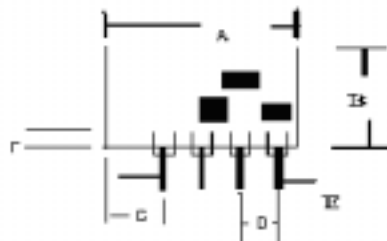
Absolute Maximum Ratings

Parameter	Rating	Units
Supply Voltage	1.5-12.0	V DC
Operating Temperature	-20 to +85	

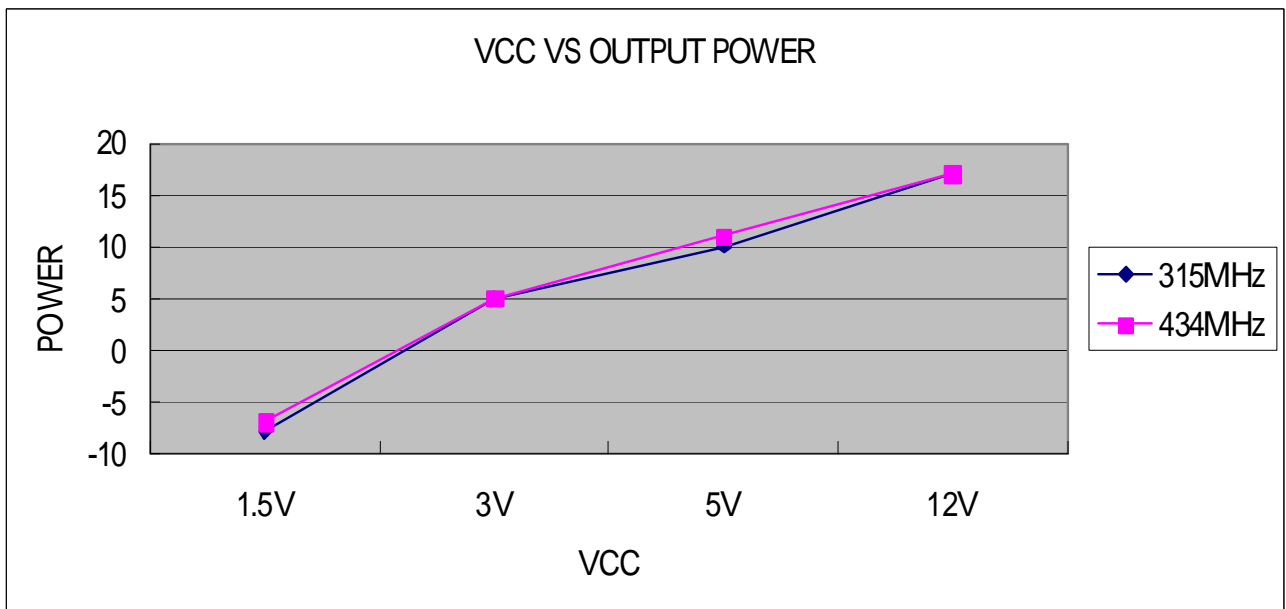
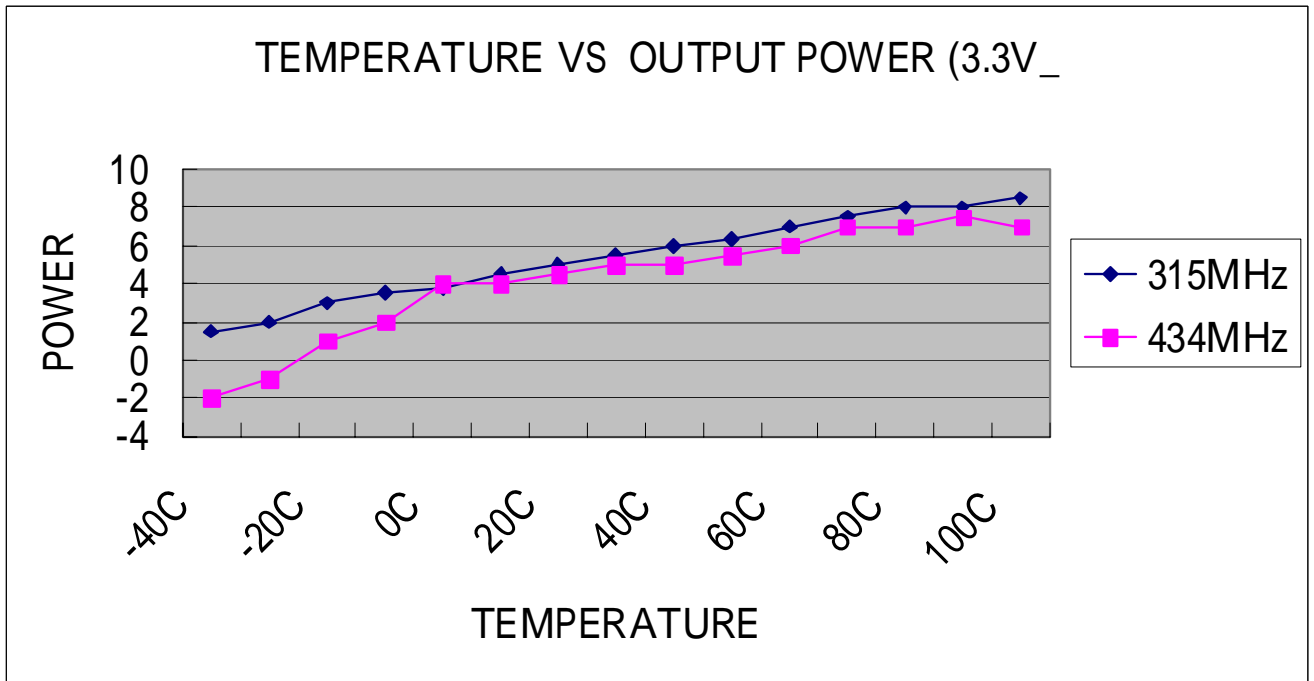
Absolute Maximum Ratings

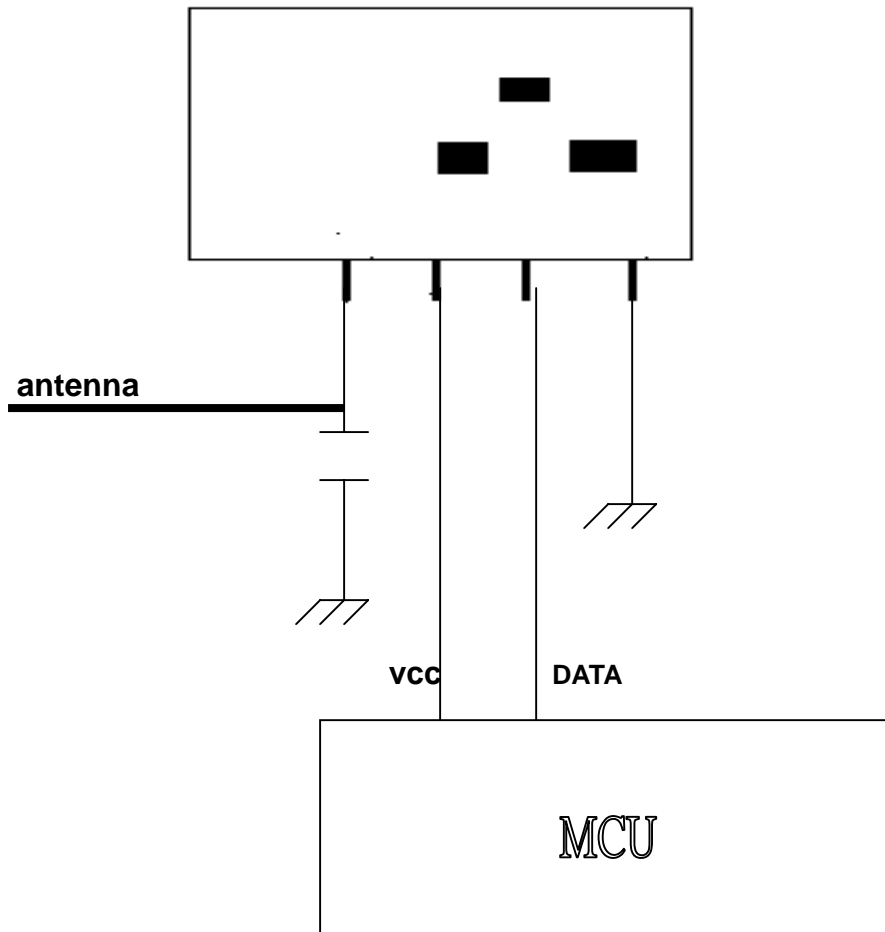
Parameter	Symbol	Condition	Specification				Unit		
			Min.	Typical				Max.	
Operation Voltage				1.5	3	5	12		V
Output power	Psens	DATA 5V 1Kbps Data Rate	315MHz	-11.8	4	10	16		dBm
			Supply current	3.1	11	20	57		mA
			434MHz	-8.5	4	10	16		dBm
			Supply current	2.9	11	22	59		mA
Tune on Time	Ton	Data start out by Vcc turn on	10	20				ms	
Data Rate			200	1k			10k	bps	
Input duty		Vcc=5V; 1kbps data rate	40				60	%	

Pin Dimension



Dimensions	Millimeters	Dimensions	Millimeters
A	14 + 0.25mm	F	2.50 + 0.15mm
B	21 + 0.25mm	G	3.50 + 0.15mm
C	4.1 + 0.30mm	H	5.5mm
D	2.54 + 0.05mm	I	0.32 + 0.05mm
E	0.65 + 0.05mm		



Appication**Mark:**

1. Antenna length about :23cm for 315MHz
17cm for 434mHz
2. Receiver range about 100m with MO-R3310A-A315M (or MO-RX3310A-A315M) Module
About150m with MO-RX3400-A315M(or MO-RX3400-A434M) module
(Tested in open space)