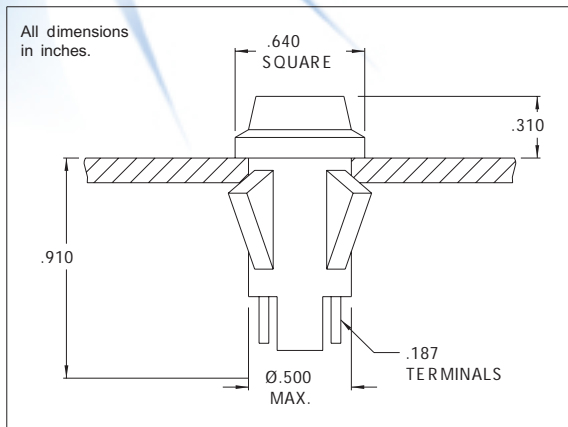


WORLDWIDE



1050QN, 1052QN Series Non-Relampable Neon Indicator Light

DESCRIPTION AND FEATURES



Mounting: Will snap-fit into Ø.500/.505 hole in panels .020/.100 thick. Push-on speednut SN0461 also available.
 Mounting hole pattern on page SP2.

Terminals: Quick-connect, Tinned brass

Lens: Polycarbonate

Bezel: Polished stainless steel.
 For black finish add "X" after the series letter(s).

Housing: White Nylon

Neon	
Lens Color	Model No. (105-125VAC)
Red	1050QN1
Amber	1050QN3
White	1050QN4
Green	1052QN5*
Lamp used	A2A+R resistor

* Incorporates G2B lamp and resistor.
 Underwriters Laboratories (UL) File No. E20325
 Canadian Standards Association (CSA) File No. LR13346

1050QN, 1052QN Series
 Non-Relampable Neon Indicator Light



America:
 CML Innovative Technologies, Inc.
 147 Central Avenue
 Hackensack, NJ 07601 -USA
 Tel: 1-201-489-8989
 Fax: 1-201-489-6911
 e-mail: americas@cml-it.com

Europe:
 CML Technologies GmbH & Co. KG
 Robert-Bunsen-Str. 1
 67098 Bad Dürkheim - GERMANY
 Tel: +49 (0)6322 9567-0
 Fax: +49 (0)6322 9567-88
 e-mail: europe@cml-it.com

Asia:
 CML Innovative Technologies, Inc.
 61 Aida Street
 Singapore 459975
 Tel: (65)9630-5003
 e-mail: asia@cml-it.com