

Series FGP PC Board Transition Header (2 Rows)

Specifications

Insulation Resistance: 1,000MΩ min. at 500V DC
 Withstanding Voltage: 700V ACrms for 1 minute
 Contact Resistance: 30mΩ max. at 10mA
 Current Rating: 1A
 Operating Temp. Range: -20°C to +105°C
 Soldering Temperature: 230°C / 10 sec.

Materials and Finish

Housing: PBT (glass filled), UL 94V-0
 Contacts: Copper Alloy
 Plating: Au over Nickel

Features

- Flat cable connectors for solder PC board connection
- High density

Jigs and Tools

- Hand press: FX-003
- Applicable jig: FG-505
- Platen: Standard platen



Part Number (Details)

FGP - 40 01 - 05 0 * - 2 - OFF

Series (plug)	FGP
No. of Leads	40
Distance between IC - Terminal Rows: 01 = 0.1in.	01
Design Number	05 0 *
*Strain Relief Option: 0 = Without Strain Relief	0
Terminal Length: 1 = 3.4mm (standard) 2 = 5.1mm (not available for 20 and 50 leads)	2
Colour Code: 1 = Black 2 = Blue (standard)	0FF
Type of IDC Contact Plating: OFF = Au (0.05~0.1μm) over Nickel (2.5~4.5μm)	

Part Number (Details) for Strain Relief

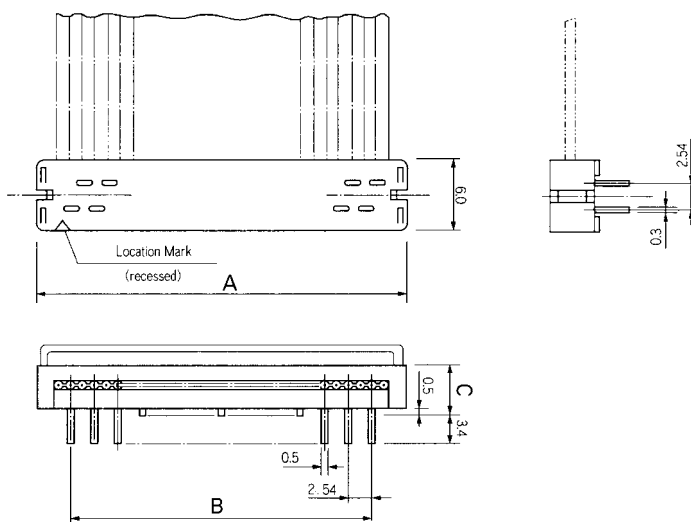
FGP-**01-0510-0000

No. of Leads e.g.: 40

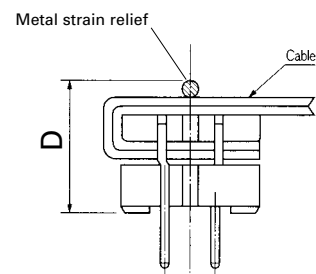
Applicable Cables

AWG 28 stranded wire, 1.27mm pitch
 AWG 30 solid wire, 1.27mm pitch
 (e.g. DK**, FLEX-S, TPFLEX-N*, FS-FLEX-B*, see Section F)

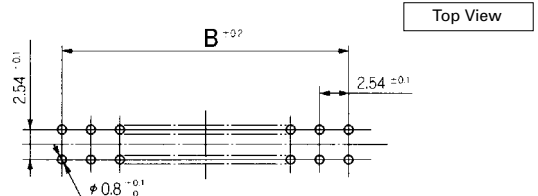
Outline Dimensions



Contact Details



Recommended PCB Layout



Standard types see table.
 For other versions from 10 to 50 leads please contact Yamaichi,
 minimum order quantity may be required

Part Number	No. of Leads	A	B
FGP-1001-0501-2-OFF	10	16.70	10.16
FGP-1001-0502-2-OFF	10	16.70	10.16
FGP-1401-0501-2-OFF	14	21.85	15.26
FGP-1601-0501-2-OFF	16	24.32	17.78
FGP-2001-0501-2-OFF	20	29.40	22.86
FGP-2601-0501-2-OFF	26	37.02	30.48
FGP-3401-0501-2-OFF	34	47.18	40.64
FGP-4001-0501-2-OFF	40	54.80	48.26
FGP-5001-0501-2-OFF	50	67.50	60.96

Cable Thickness	C	D up to 40 leads	D above 50 leads
Max. 0.9	5.0	7.90	8.10
Max. 1.2	5.3	8.10	8.30

2.54mm Board-to-Cable Connectors