



PRELIMINARY

SOLID STATE DEVICES, INC

14849 Firestone Boulevard · La Mirada, CA 90638
Phone: (714) 670-SSDI (7734) · Fax: (714) 522-7424

**SDR950/61
thru
SDR952/61**

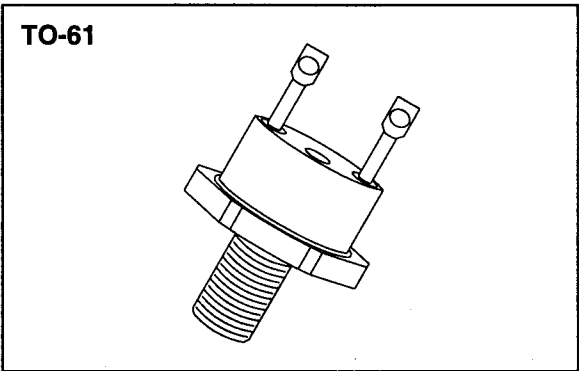
**60 AMP
100-200 VOLTS
35 nsec
HYPER FAST
RECTIFIER**

Designer's Data Sheet

FEATURES:

- Hyper Fast Recovery: 35 nsec Maximum
- High Surge Rating
- Low Reverse Leakage Current
- Low Junction Capacitance
- Hermetically Sealed Package
- Gold Eutectic Die Attach available
- Ultrasonic Aluminum Wire Bonds
- Isolated case (Stud)

- TX, TXV and Space Level Screening Available



MAXIMUM RATINGS

| RATING | SYMBOL | VALUE | UNIT |
|---|------------|-------------|-------|
| Peak Repetitive Reverse and DC Blocking Voltage | VRRM | 100 | Volts |
| | VRWM | 150 | |
| | VR | 200 | |
| | | | |
| Average Rectified Forward Current (Resistive Load, 60Hz, Sine Wave, TA=25°C) | IO | 60 | Amps |
| Peak Surge Current (8.3 ms Pulse, Half Sine Wave, TA=25°C) | IFSM | 450 | Amps |
| Operating and storage temperature | Top & Tstg | -65 to +200 | °C |
| Maximum Thermal Resistance Junction to Case | RθJC | 0.75 | °C/W |

NOTE: All specifications are subject to change without notification. SCD's for these devices should be reviewed by SSDI prior to release.

DATA SHEET#: RH0045 B

**SDR950/61
thru
SDR952/61**

PRELIMINARY



SOLID STATE DEVICES, INC

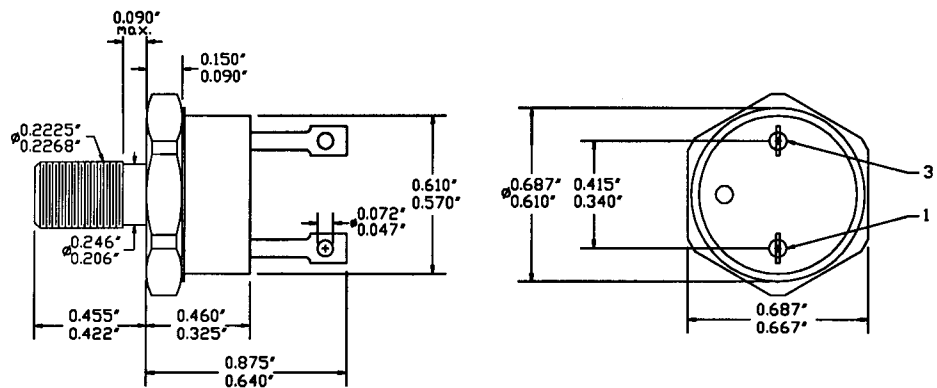
14849 Firestone Boulevard · La Mirada, CA 90638
Phone: (714) 670-SSDI (7734) · Fax: (714) 522-7424

ELECTRICAL CHARACTERISTICS

| CHARACTERISTICS | SYMBOL | MAXIMUM | UNIT |
|---|--------|--------------|------|
| Instantaneous Forward Voltage Drop (IF = 25 Adc, TA=25°C, 300µs Pulse) (IF = 50 Adc, TA=25°C, 300µs Pulse) | VF | 1.05 1.25 | Vdc |
| Instantaneous Forward Voltage Drop (IF = 25 Adc, TA= 100°C, 300µs Pulse) (IF = 25 Adc, TA= - 55°C, 300µs Pulse) | VF | 0.95 1.20 | Vdc |
| Reverse Leakage Current (Rated VR, TA=25°C, 300µs pulse minimum) | IR | 100 | µA |
| Reverse Leakage Current (Rated VR, TA=100°C, 300µs pulse minimum) | IR | 10 | mA |
| Junction Capacitance (VR = 10 Vdc, TA=25°C, f= 1 MHz) | CJ | 450 | pf |
| Reverse Recovery Time (IF=500mA, IR=1 A, IRR=250mA, TA=25°C) | trr | 35 | nsec |

CASE OUTLINE: TO-61

PIN 1: ANODE
PIN 3: CATHODE



TYPICAL OPERATING CURVES

TA=25°C Unless otherwise specified

