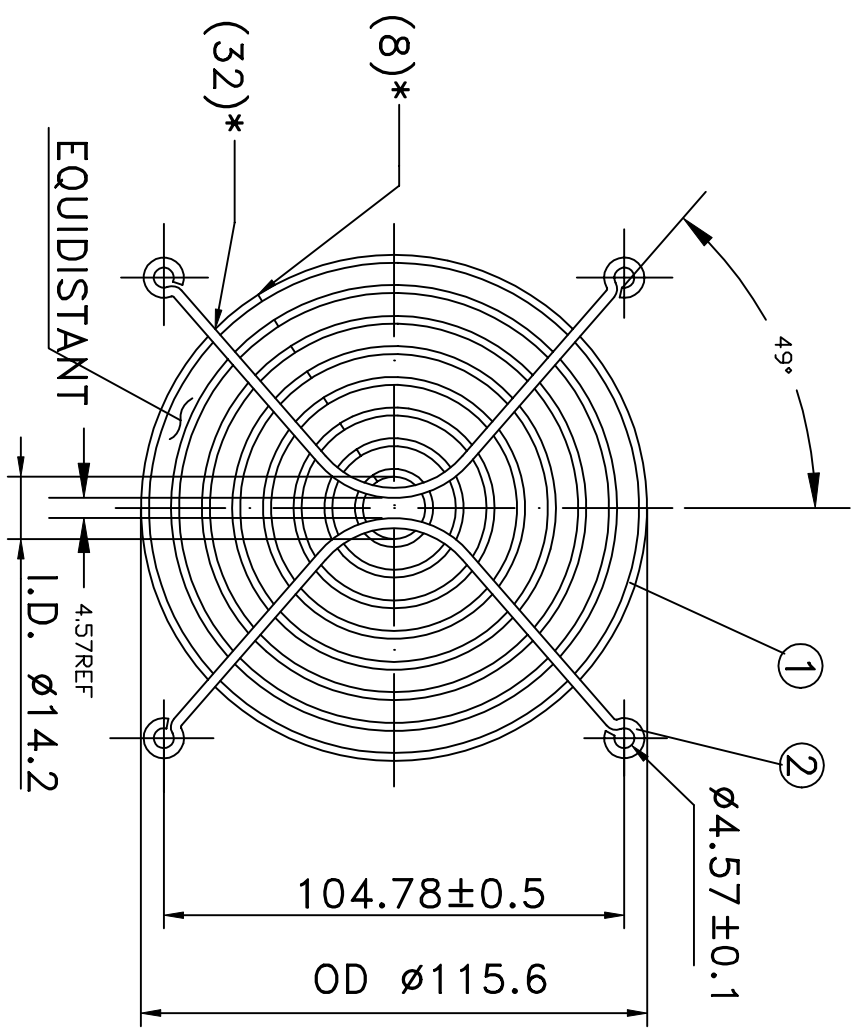


Revision			
Rev.	Description	Date	Approved



1. MATERIAL: SAE1008 (OR EQUIVALENT)
BRIGHT BASIC WIRE.
2. FINISH: BRIGHT NICKEL CHROME.
3. 0.30 ± 0.05 DEPTH OF SERRATIONS
ON WIRE.
4. WELD JOINTS TO WITHSTAND 70
LBS PULL FORCE.
5. RING: Ø1.8; RIB: Ø1.8.
6. UNIT: mm.

NO.	PART NO.	TITLE	PCS
2	-02	RIBS	2
1	-01	RINGS	8

Qualtek Electronics Corp.
FAN-S DIVISION
Part Number: 08170

Description:
WIRE FORM FAN GUARD

Dim range (mm)	Tolerance (+/-) (mm)	Drawn/Date	Checked/Date	Approved/Date
0-1	0.15	B.ZHANG 09-19-00	09-19-00	JJH/09-19-00
1-6	0.20			
6-18	0.30			
18-50	0.50			
50-120	0.70			
120-250	0.90			
250-500	1.20			